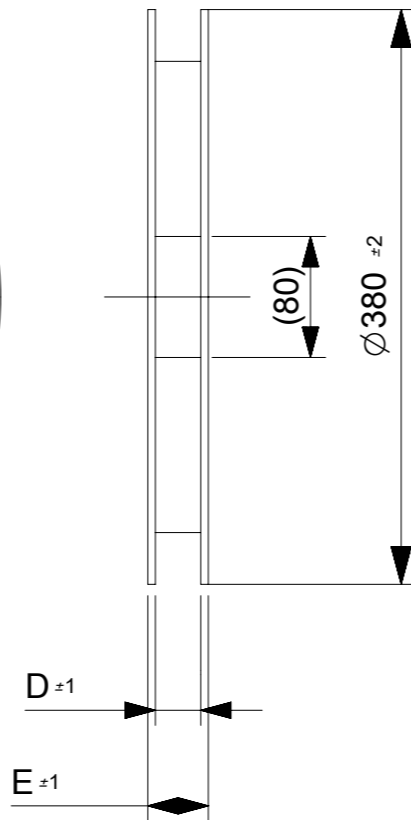
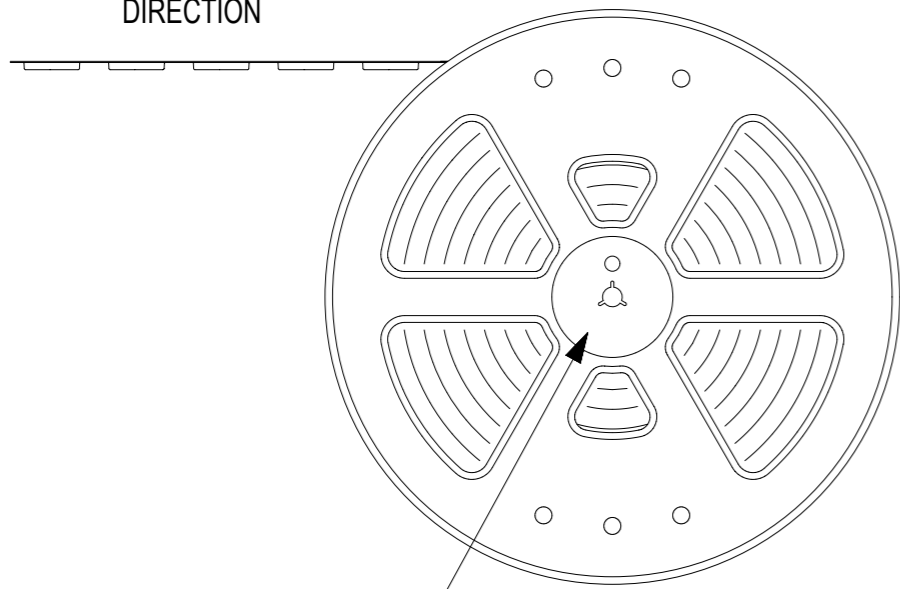
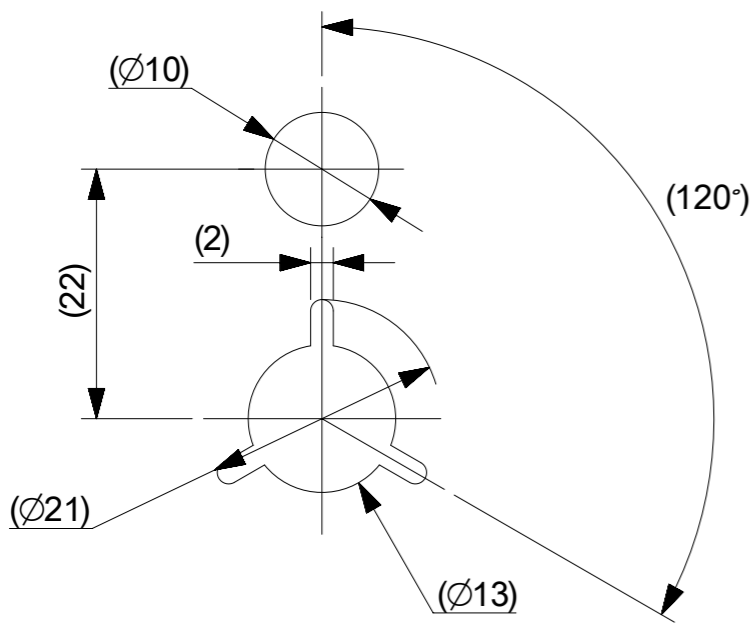


引き出し方向

PULL OUT
DIRECTION



"E"



DETAIL "E"

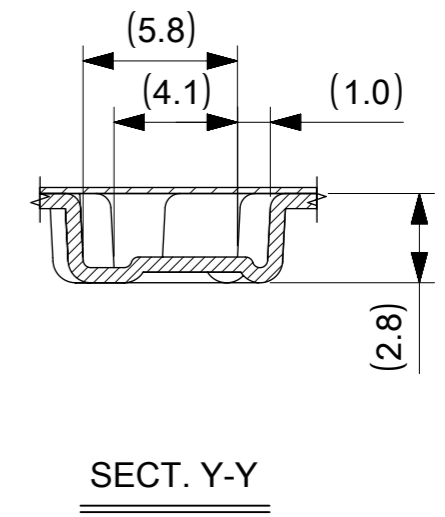
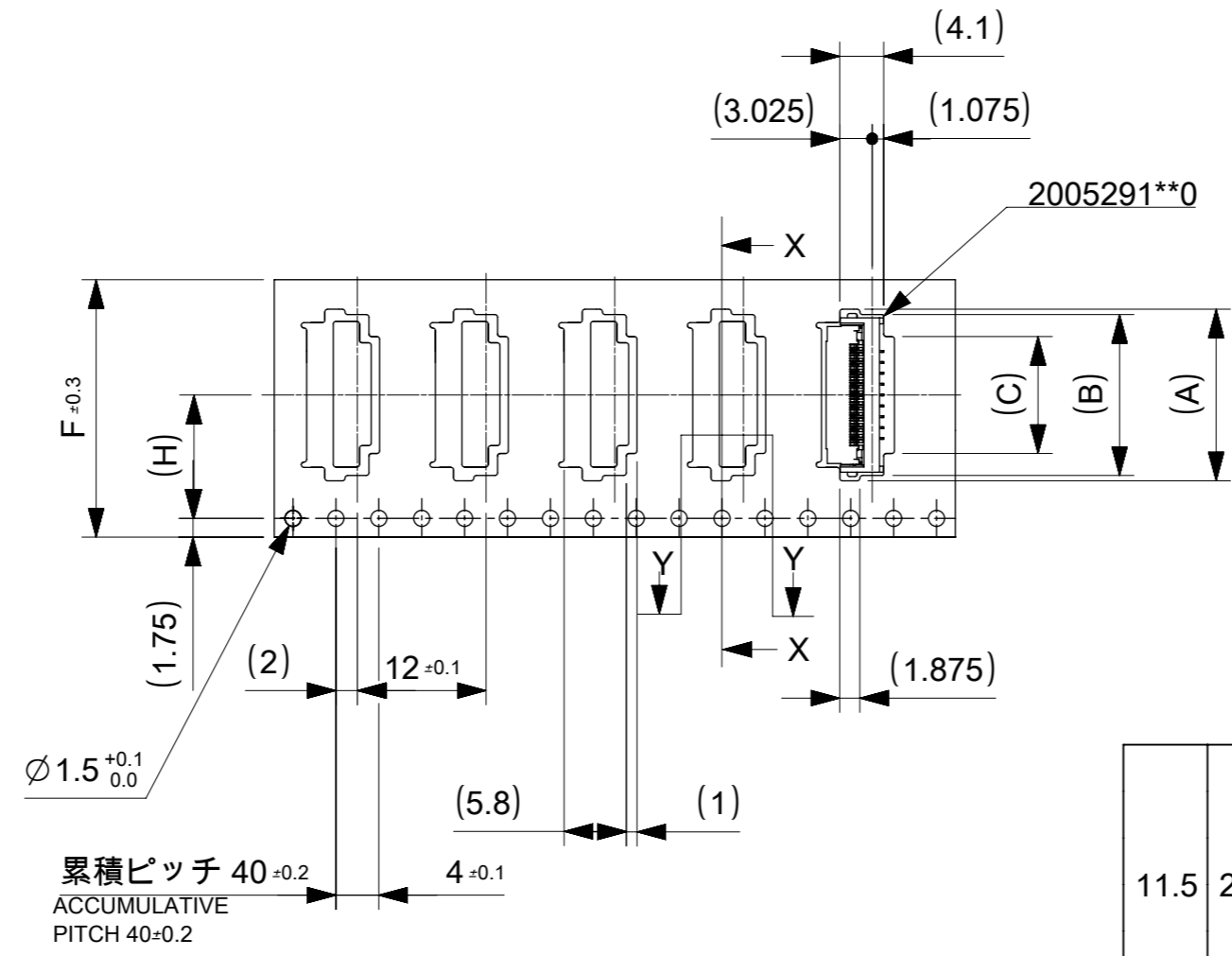
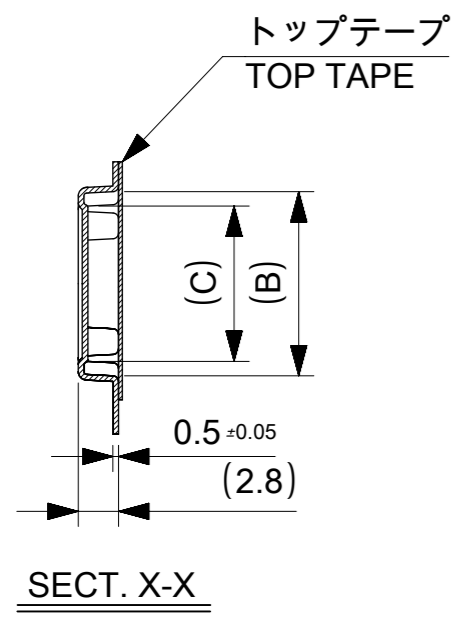
NOTES

- 梱包数量 : 3000個 / リール
NUMBER OF CONNECTORS : 3000 PCS/REEL.
 - リードテープ長さ
LEAD TAPE LENGTH
-
- カバーテープの剥離強度については、IEC60286-3に準拠。
COVER TAPE PEEL FORCE IS DEFINED BY IEC 60286-3.
 - 製品詳細寸法については、図面 2005291000-000を参照下さい。
FOR DIMENTIONS OF PRODUCT, REFER TO 2005291000-000.
 - 材料 MATERIAL
キャリアテープ : ポリスチレン
CARRIER TAPE : POLYSTYRENE
トップテープ : ポリエチレンテレフタレート、ポリエチレン
TOP TAPE : POLYETHYLENE TEREPHTHALATE, POLYETHYLENE
リール :ポリスチレン<リサイクル材を含む>
 - ELV及びRoHS適合品 ELV AND RoHS COMPLIANT.

THIS DRAWING CONTAINS INFORMATION THAT IS PROPRIETARY TO MOLEX ELECTRONIC TECHNOLOGIES, LLC AND SHOULD NOT BE USED WITHOUT WRITTEN PERMISSION

REVISED	2016/02/09	GENERAL TOLERANCES (UNLESS SPECIFIED)		DIMENSION UNITS	SCALE	molex			
	2016/02/19	ANGULAR TOL $\pm 1.0^\circ$		mm	2:1				
	2016/02/19	4 PLACES	± 0.05	DRWN BY	DATE	1.0 FPC ZIF BTM CONT EMBT PKG			
	EC NO: 103009	3 PLACES	± 0.1	MTAKAHASHI04	2015/12/24				
DRWN: MTAKAHASHI04	2 PLACES	± 0.2	CHK'D BY	DATE	PRODUCT CUSTOMER DRAWING				
CHK'D: TKUSUHARA01	1 PLACE	± 0.2	KTAKAHASHI	2015/12/25					
REV APPR: TKUSUHARA01	0 PLACES	± 0.2	APPR BY	DATE	SERIES MATERIAL NUMBER CUSTOMER				
	DRAFT WHERE APPLICABLE MUST REMAIN WITHIN DIMENSIONS		YNOGAWA	2016/01/04					200529
			DRAWING SIZE	THIRD ANGLE PROJECTION	DOCUMENT NUMBER DOC TYPE DOC PART SHEET NUMBER				
			A3						2005290000

引き出し方向
PULL OUT
DIRECTION



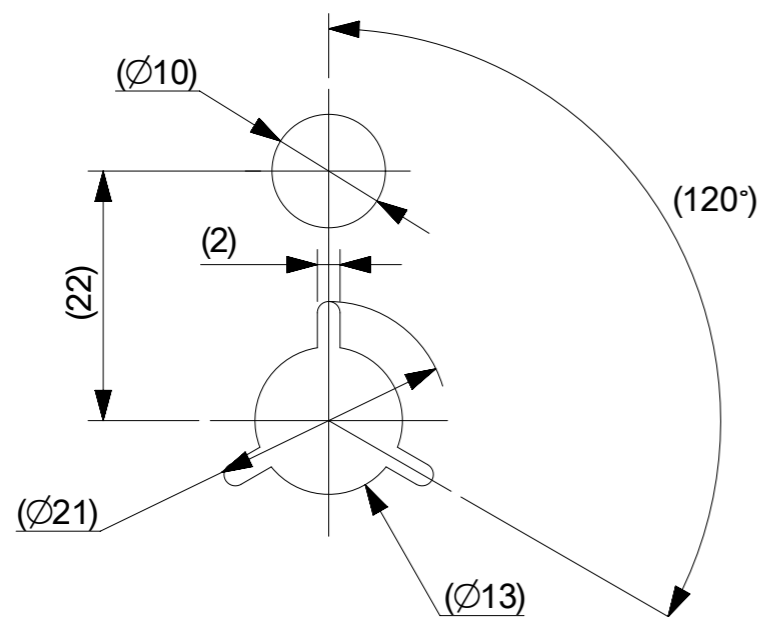
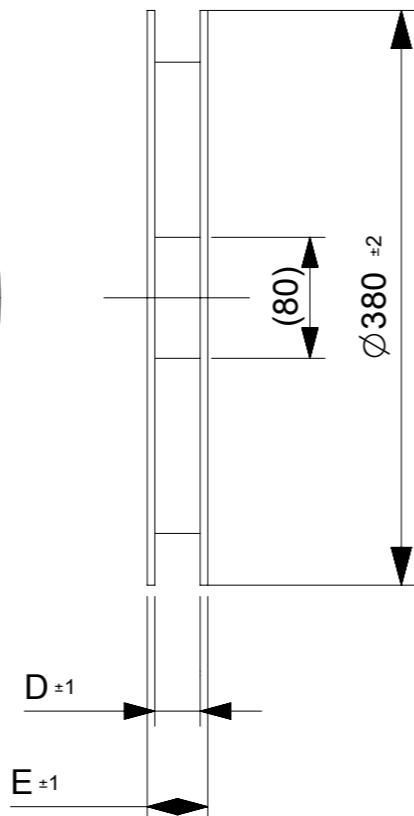
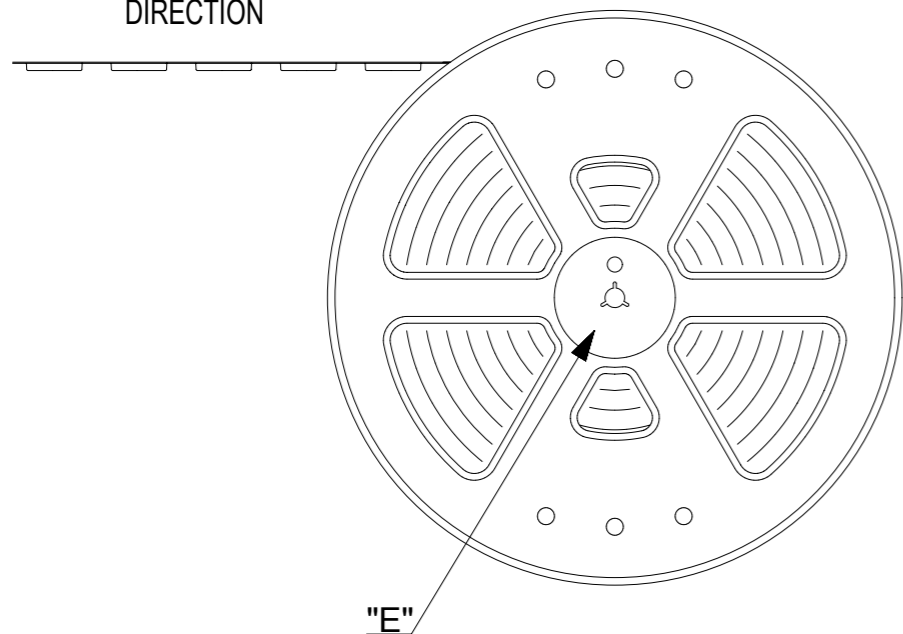
11.5	24	29.4	25.4	10.4	14.4	15.5	2005290090	9
				9.4	13.4	14.5	2005290080	8
				8.4	12.4	13.5	2005290070	7
				7.4	11.4	12.5	2005290060	6
				6.4	10.4	11.5	2005290050	5
				5.4	9.4	10.5	2005290040	4
H	F	E	D	C	B	A	EMBOSSED PACKAGE オーダー番号 ORDER NO.	Ckt
CONNECTER NO. 2005291**0								

THIS DRAWING CONTAINS INFORMATION THAT IS PROPRIETARY TO MOLEX ELECTRONIC TECHNOLOGIES, LLC AND SHOULD NOT BE USED WITHOUT WRITTEN PERMISSION

EC NO: 103009 DRWN: MTAKAHASHI04 CHK'D: TKUSUHARA01 APPR: TKUSUHARA01	2016/02/09	2016/02/19	2016/02/19	GENERAL TOLERANCES (UNLESS SPECIFIED) ANGULAR TOL ± 1.0 ° 4 PLACES ± 0.05 3 PLACES ± 0.1 2 PLACES ± 0.2 1 PLACE ± 0.2 0 PLACES ± 0.2 DRAFT WHERE APPLICABLE MUST REMAIN WITHIN DIMENSIONS	DIMENSION UNITS	SCALE	
	mm	1:1	DRWN BY		DATE		
	MTAKAHASHI04	2015/12/24	CHK'D BY		DATE		
	KTAKAHASHI	2015/12/25	APPR BY		DATE		
	YNOGAWA	2016/01/04	DRAWING SIZE		THIRD ANGLE PROJECTION		
A3			PRODUCT CUSTOMER DRAWING SERIES: 200529 MATERIAL NUMBER: SEE CHART CUSTOMER: GENERAL				
RELEASE STATUS: P1 RELEASE DATE: 2016/02/19 08:40:54	DOCUMENT NUMBER: 2005290000 DOC TYPE: PSD DOC PART: 000 SHEET NUMBER: 2 OF 2						

引き出し方向

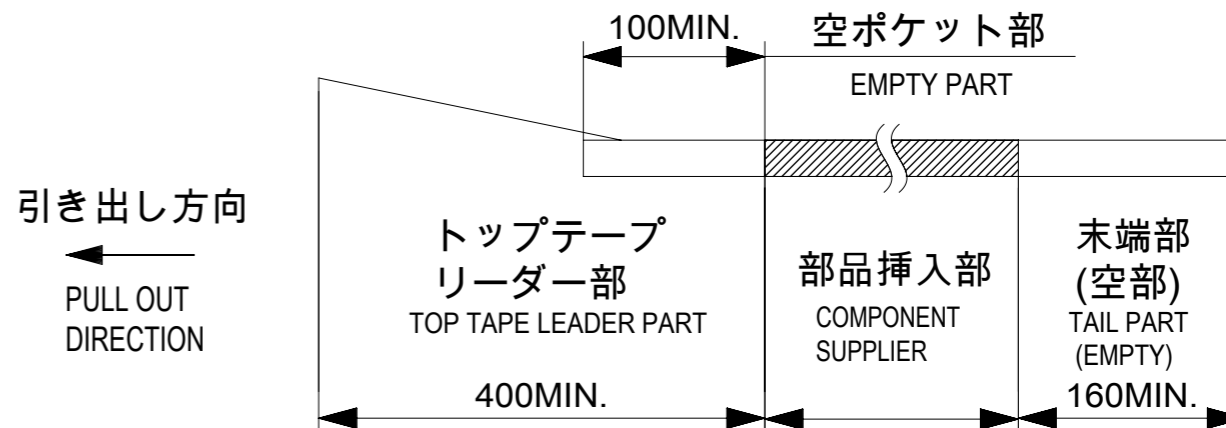
PULL OUT
DIRECTION



DETAIL "E"

NOTES

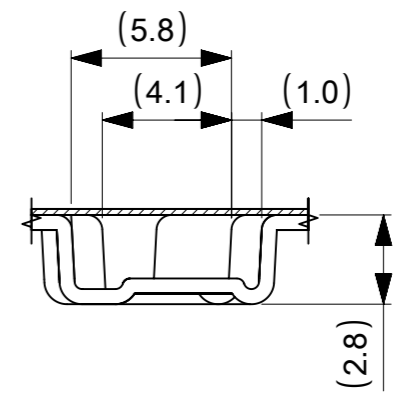
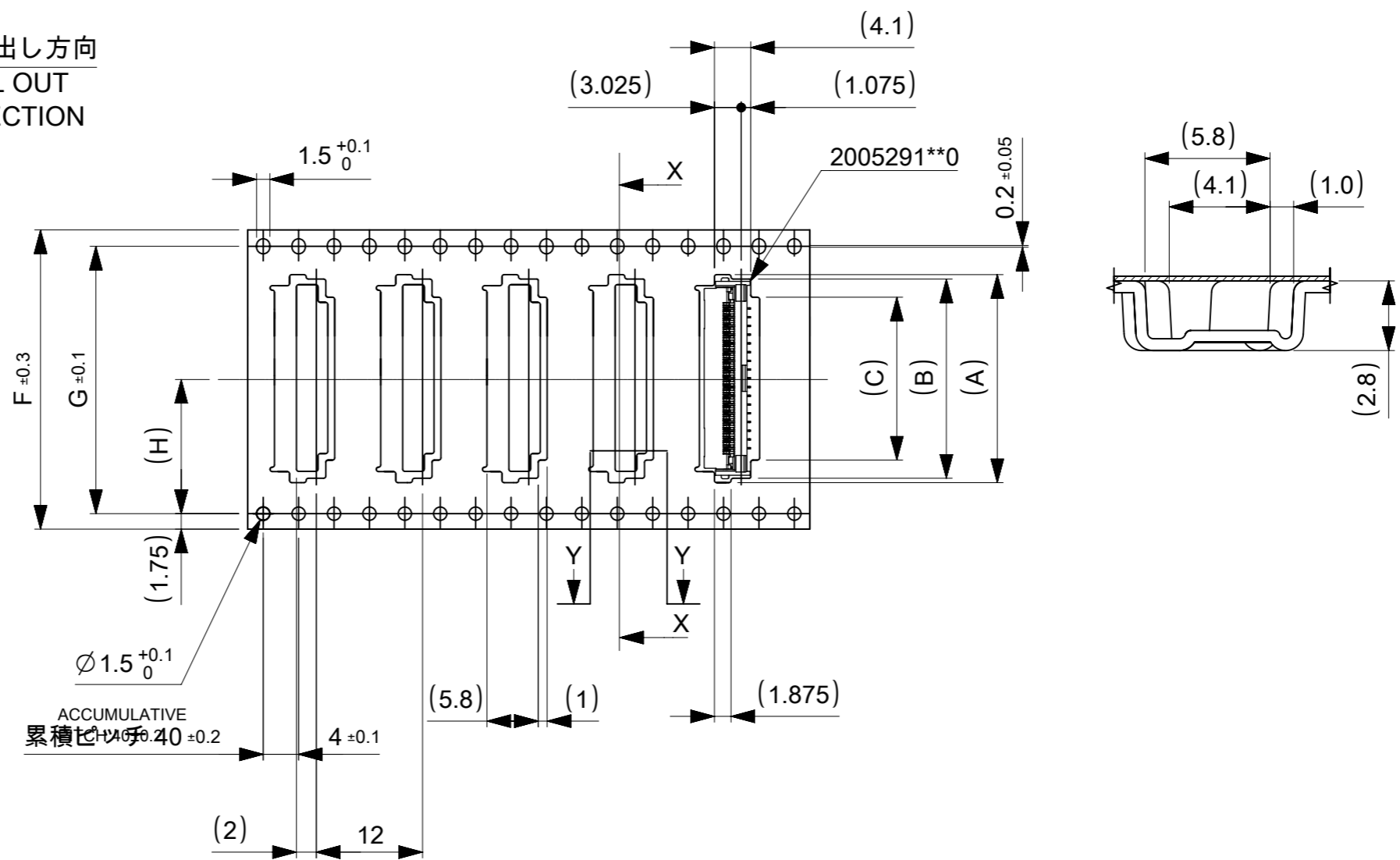
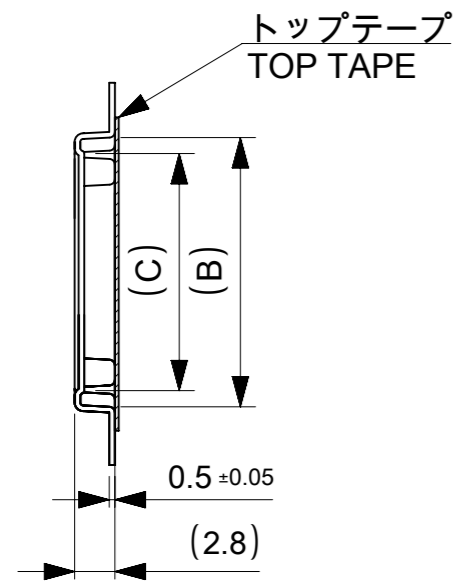
- 梱包数量 : 3000個 / リール
NUMBER OF CONNECTORS : 3000 PCS/REEL.
- リードテープ長さ
LEAD TAPE LENGTH



- カバーテープの剥離強度については、IEC60286-3に準拠。
COVER TAPE PEEL FORCE IS DEFINED BY IEC 60286-3.
- 製品詳細寸法については、図面 2005291006-000を参照下さい。
FOR DIMENTIONS OF PRODUCT, REFER TO 2005291006-000.
- 材料 MATERIAL
キャリアテープ : ポリスチレン
CARRIER TAPE : POLYSTYRENE
トップテープ : ポリエチレンテレフタレート、ポリエチレン
TOP TAPE : POLYETHYLENE TEREHTHALATE, POLYETHYLENE
リール : ポリスチレン<リサイクル材を含む>
- ELV及びRoHS適合品 ELV AND RoHS COMPLIANT.

THIS DRAWING CONTAINS INFORMATION THAT IS PROPRIETARY TO MOLEX ELECTRONIC TECHNOLOGIES, LLC AND SHOULD NOT BE USED WITHOUT WRITTEN PERMISSION									
DIMENSION UNITS		SCALE		CURRENT REV DESC:				molex	
mm		2:1							
GENERAL TOLERANCES (UNLESS SPECIFIED)				1.0 FPC ZIF BTM CONT EMBT PKG					
ANGULAR TOL ± 1.0 °				PRODUCT CUSTOMER DRAWING					
4 PLACES ± 0.05		EC NO: 698599		DRWN: KYHWANG		2022/01/28		DOCUMENT NUMBER	
3 PLACES ± 0.1		CHK'D: SHOSHIKAWA		APPR: SHOSHIKAWA		2022/03/11		DOC TYPE DOC PART REVISION	
2 PLACES ± 0.2		INITIAL REVISION:		DRWN: MTAKAHASHI04		2015/12/24		2005290006	
1 PLACE ± 0.2		DRWN: YNOGAWA		APPR: YNOGAWA		2016/01/04		PSD 000 C	
0 PLACES ± 0.2		DRAFT WHERE APPLICABLE MUST REMAIN WITHIN DIMENSIONS		THIRD ANGLE PROJECTION		DRAWING		SERIES	
				A3-SIZE		200529		MATERIAL NUMBER CUSTOMER SHEET NUMBER	
				SEE CHART		GENERAL		1 OF 2	

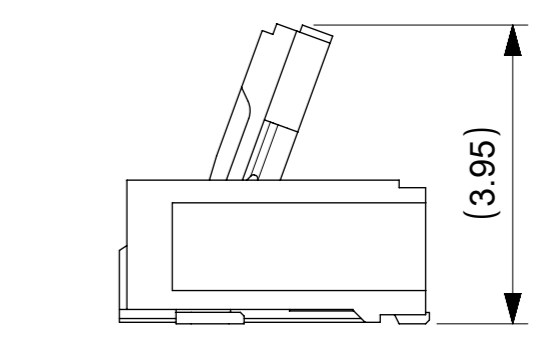
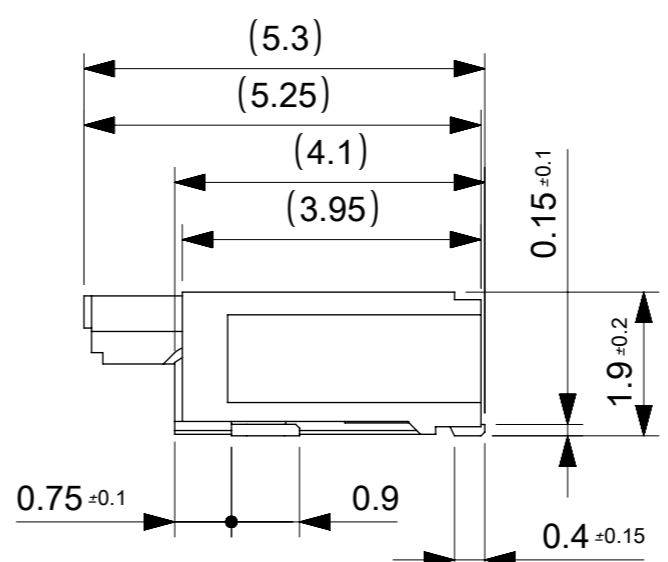
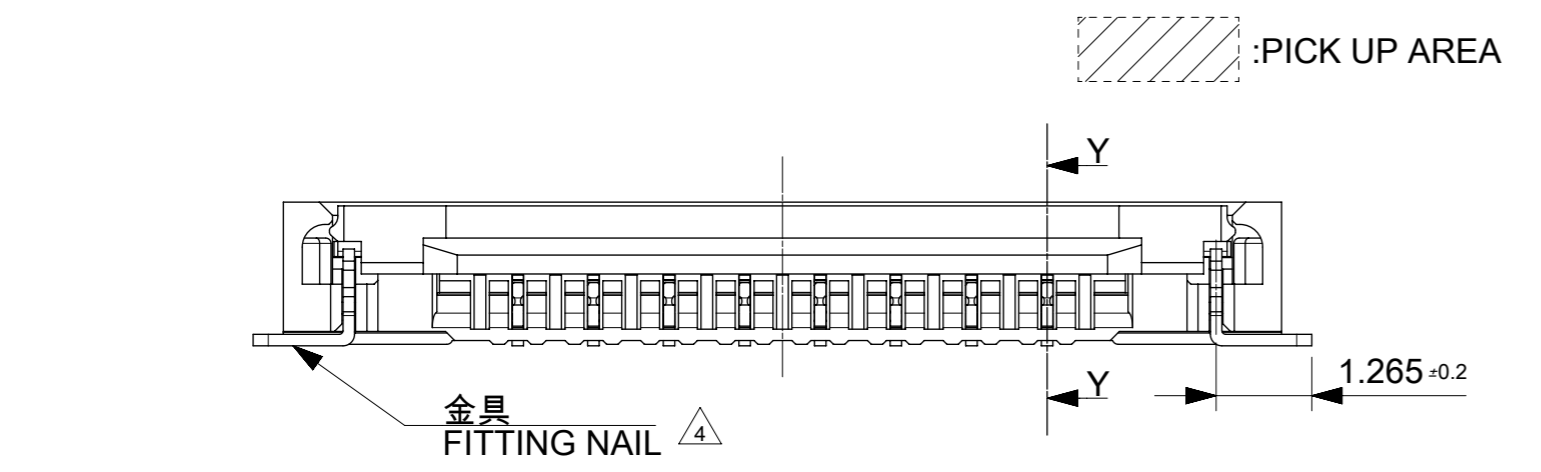
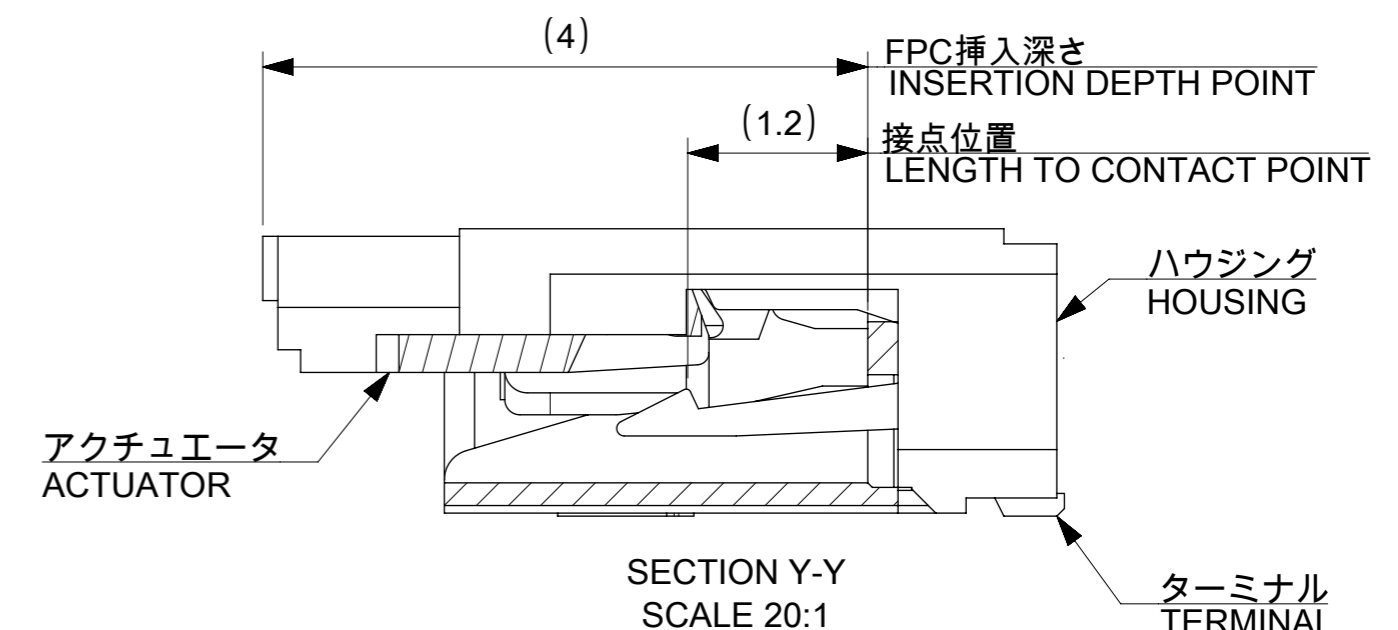
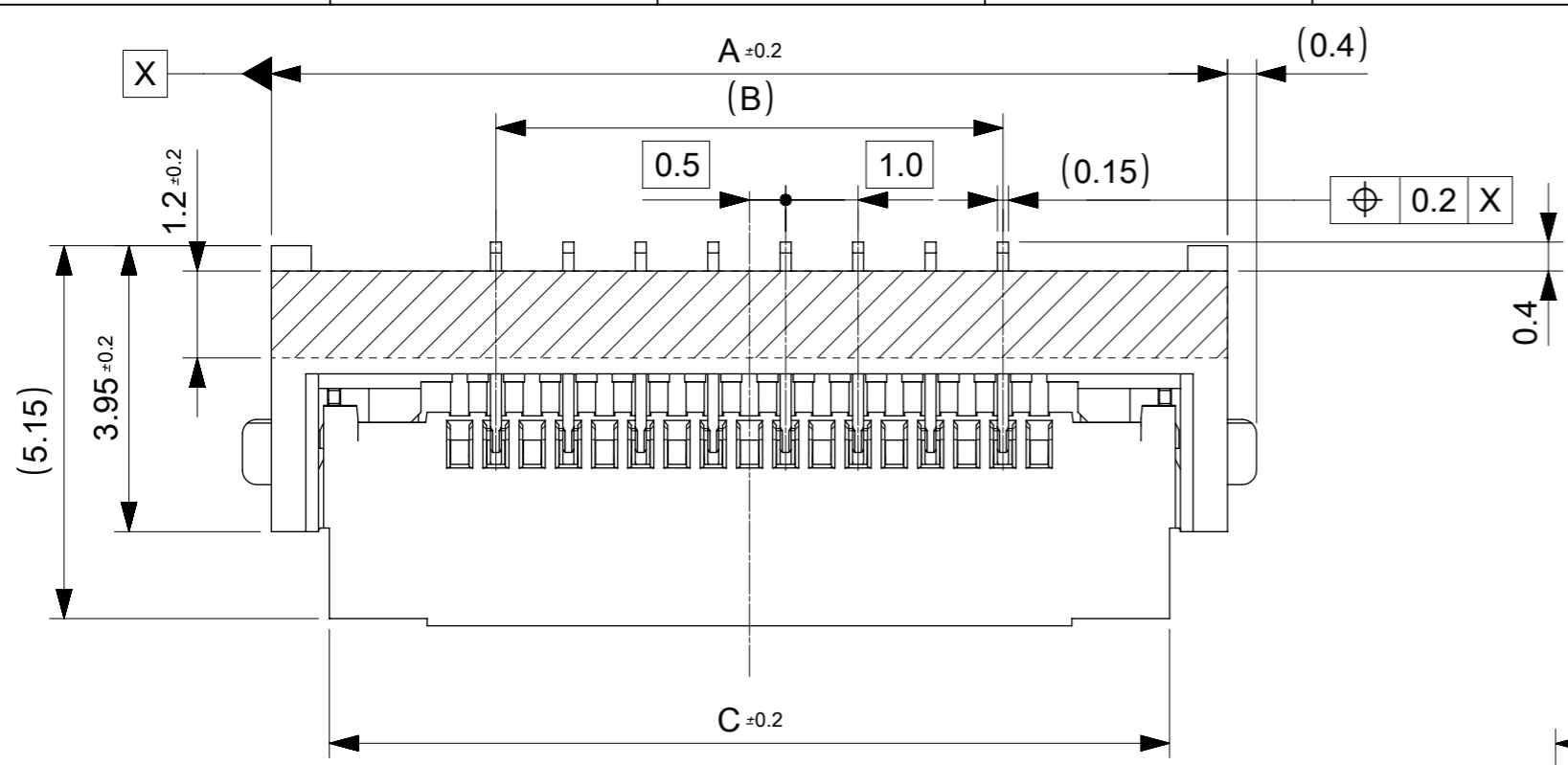
引き出し方向
PULL OUT
DIRECTION



20.2	40.4	44	49.4	45.4	23.4	27.4	28.5	2005290220	22
					18.4	22.4	23.5	2005290170	17
14.2	28.4	32	37.4	33.4	13.4	17.4	18.5	2005290120	12
H	G	F	E	D	C	B	A	EMBOSSED PACKGE	Ckt
								オーダー番号 ORDER NO.	

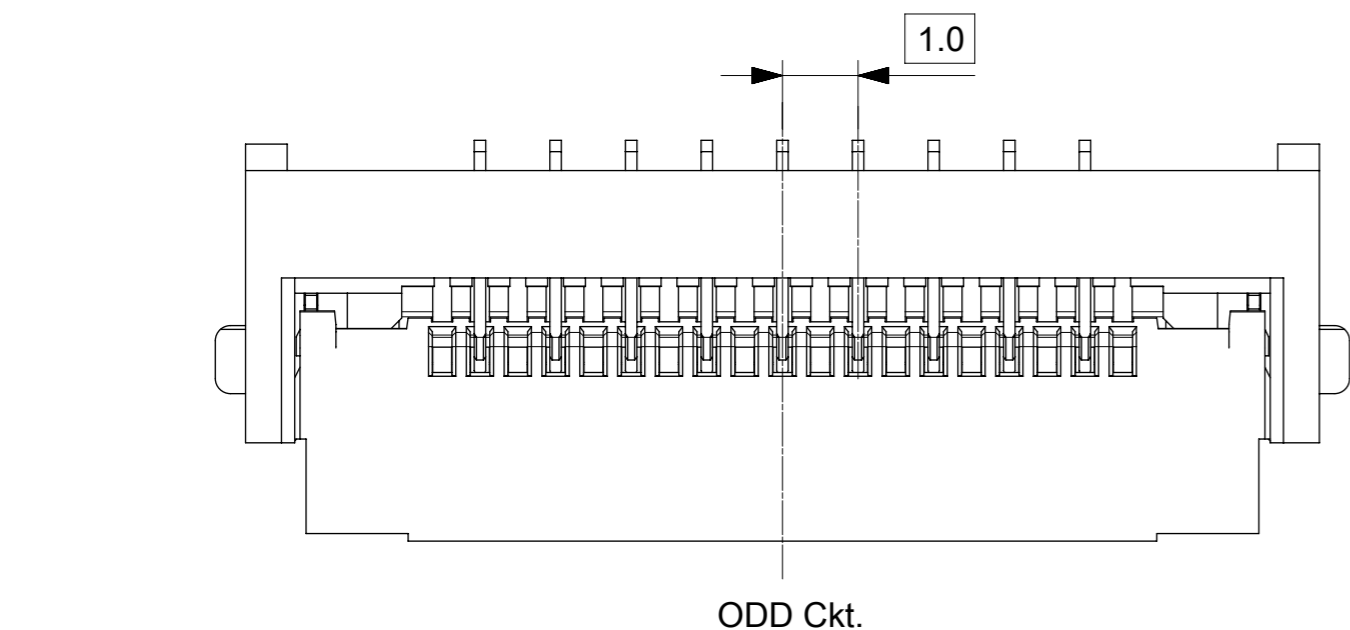
CONNECTOR SERIES NO. 2005291**0

THIS DRAWING CONTAINS INFORMATION THAT IS PROPRIETARY TO MOLEX ELECTRONIC TECHNOLOGIES, LLC AND SHOULD NOT BE USED WITHOUT WRITTEN PERMISSION											
DIMENSION UNITS mm		SCALE 2:1		CURRENT REV DESC:						molex	
GENERAL TOLERANCES (UNLESS SPECIFIED)				EC NO: 698599 DRWN: KYHWANG 2022/01/28 CHK'D: SHOSHIKAWA 2022/03/11 APPR: SHOSHIKAWA 2022/03/11							
ANGULAR TOL ± 1.0°				PRODUCT CUSTOMER DRAWING						DOCUMENT NUMBER	
4 PLACES ± 0.05				INITIAL REVISION:						DOC TYPE	
3 PLACES ± 0.1				DRWN: MTAKAHASHI04 2015/12/24						DOC PART	
2 PLACES ± 0.2				APPR: YNOGAWA 2016/01/04						REVISION	
1 PLACE ± 0.2				MATERIAL NUMBER						SHEET NUMBER	
0 PLACES ± 0.2				CUSTOMER						2 OF 2	
DRAFT WHERE APPLICABLE MUST REMAIN WITHIN DIMENSIONS				THIRD ANGLE PROJECTION		DRAWING		SERIES		MATERIAL NUMBER	
				A3-SIZE		200529		SEE CHART		GENERAL	



12.6	8.0	14.2	2005290090	9
11.6	7.0	13.2	2005290080	8
10.6	6.0	12.2	2005290070	7
9.6	5.0	11.2	2005290060	6
8.6	4.0	10.2	2005290050	5
7.6	3.0	9.2	2005290040	4
C	B	A	EMBOSSED PACKAGE オーダー番号 ORDER NO.	Ckt

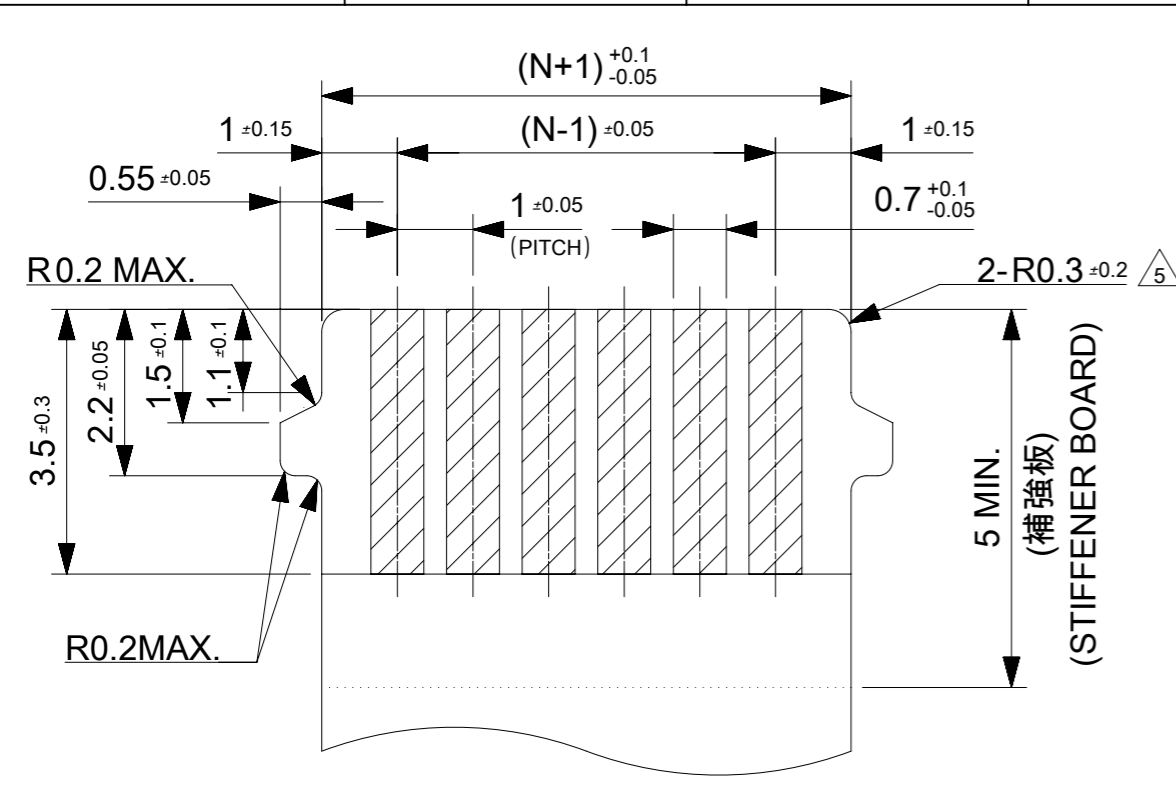
CONNECTOR SERIES NO.2005291**0



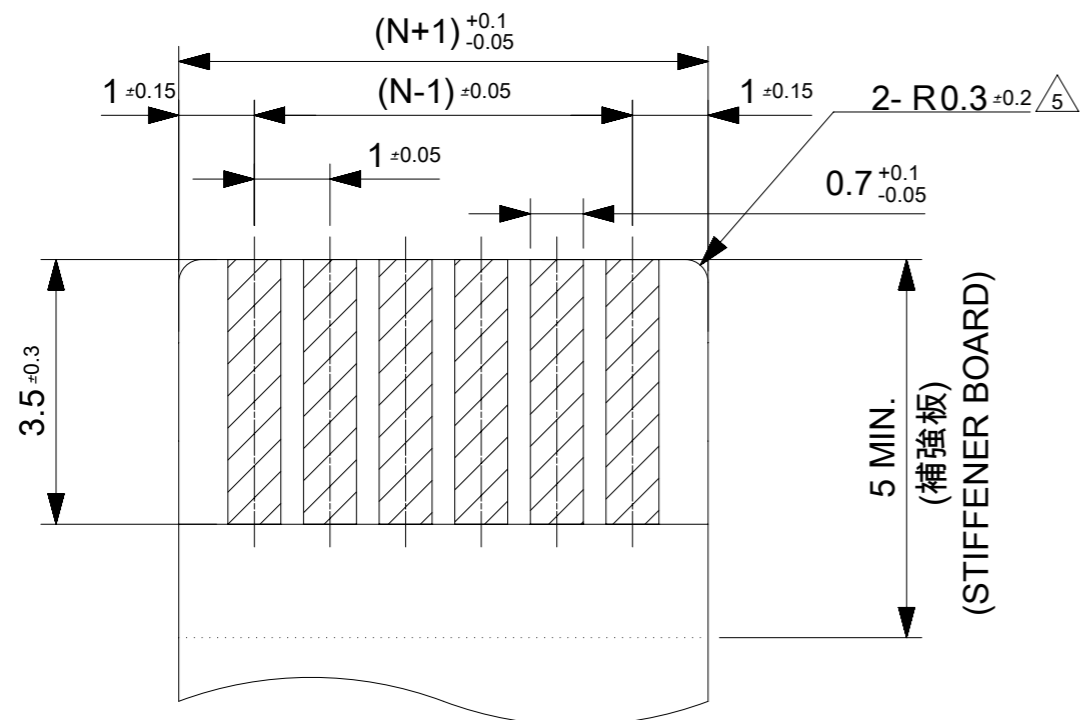
THIS DRAWING CONTAINS INFORMATION THAT IS PROPRIETARY TO MOLEX ELECTRONIC TECHNOLOGIES, LLC AND SHOULD NOT BE USED WITHOUT WRITTEN PERMISSION

REVISED	2017/06/09	2017/06/12	2017/06/12	GENERAL TOLERANCES (UNLESS SPECIFIED)	DIMENSION UNITS	SCALE		
	DRWN: JASANUMA	CHK'D: YKOBAYASHI02	APPR: TKUSUHARA01		MM	10:1		
	ANGULAR TOL ± 1.0 °				DRWN BY	DATE		1.0 FPC ZIF BTM CONT HSG ASSY PRODUCT CUSTOMER DRAWING
	4 PLACES ± 0.05				MTAKAHASHI04	2015/12/24		
3 PLACES ± 0.1			CHK'D BY	DATE	SERIES: 200529 MATERIAL NUMBER: SEE CHART CUSTOMER: GENERAL			
2 PLACES ± 0.2			KTAKAHASHI	2015/12/25				
1 PLACE ± 0.2			APPR BY	DATE	DOCUMENT NUMBER: 2005291000 DOC TYPE: PSD DOC PART: 000 SHEET NUMBER: 1 OF 3			
0 PLACES ± 0.2			YNOGAWA	2016/01/04				
EC NO: 117930	DRAFT WHERE APPLICABLE MUST REMAIN WITHIN DIMENSIONS			DRAWING SIZE	THIRD ANGLE PROJECTION			
C				A3				

適合FPC/FFC推奨寸法
APPLICABLE FPC/FFC
RECOMMENDED DIMENSION



耳無し適合FPC/FFC推奨寸法
APPLICABLE NON-TAB FPC/FFC
RECOMMENDED DIMENSION



- 補強板: ポリイミド
REINFORCE BOARD: POLYIMIDE
- 熱硬化接着剤
THERMOSETTING ADHESIVE
- ベースフィルム: ポリイミド(25μm)
BASE FILM: POLYIMIDE(25μm)
- 熱硬化接着剤
THERMOSETTING ADHESIVE
- 導体部: 銅箔(35μm)
COPPER FOIL (35μm)
- 熱硬化接着剤
THERMOSETTING ADHESIVE
- カバーレイ: ポリイミド(25μm)
COVER FILM: POLYIMIDE(25μm)

FPC構成推奨仕様
STRUCTURE OF FPC

- 補強板: ポリエステル系
REINFORCE BOARD: PET
- 接着剤(難燃ポリエステル系)
ADHESIVE (FLAME-RETARDANT
POLYESTER ADHESIVE)
- 絶縁テープ: ポリエステル系(25μm)
INSULATING FILM: PET(25μm)
- 接着剤(難燃ポリエステル系)
ADHESIVE (FLAME-RETARDANT
POLYESTER ADHESIVE)
- 導体部: 銅箔(35μmか50μm)
COPPER FOIL (35μm or 50μm)
- 接着剤(難燃ポリエステル系)
ADHESIVE (FLAME-RETARDANT
POLYESTER ADHESIVE)
- 絶縁テープ: ポリエステル系(25μm)
INSULATING FILM: PET(25μm)

FFC構成推奨仕様
STRUCTURE OF FFC

THIS DRAWING CONTAINS INFORMATION THAT IS PROPRIETARY TO MOLEX ELECTRONIC TECHNOLOGIES, LLC AND SHOULD NOT BE USED WITHOUT WRITTEN PERMISSION

REVISED	2017/06/09	2017/06/12	GENERAL TOLERANCES (UNLESS SPECIFIED)	DIMENSION UNITS	SCALE	
	2017/06/12	2017/06/12		MM	##	
	EC NO: 117930 DRWN: JASANUMA CHK'D: YKOBAYASHI02 APPR: TKUSUHARA01	ANGULAR TOL ± 1.0 °		DRWN BY	DATE	
		4 PLACES		± 0.05	MTAKAHASHI04	2015/12/24
		3 PLACES		± 0.1	CHK'D BY	DATE
2 PLACES		± 0.2	KTAKAHASHI	2015/12/25		
C	1 PLACE	± 0.2	APPR BY	DATE		
	0 PLACES	± 0.2	YNOGAWA	2016/01/04		
	DRAFT WHERE APPLICABLE MUST REMAIN WITHIN DIMENSIONS		DRAWING SIZE	THIRD ANGLE PROJECTION		
		A3				

molex®			
1.0 FPC ZIF BTM CONT HSG ASSY			
PRODUCT CUSTOMER DRAWING			
SERIES	MATERIAL NUMBER	CUSTOMER	
200529	SEE SHEET 1	GENERAL	
DOCUMENT NUMBER		DOC TYPE	DOC PART SHEET NUMBER
2005291000		PSD	000 2 OF 3

注記 NOTES

1.使用材料 MATERIAL

ハウジング :液晶ポリマー ガラス充填、UL94V-0(ベージュ)
 HOUSING LIQUID CRYSTAL POLYMER GLASS FILLED, UL94V-0(BEIGE)
 アクチュエータ :ポリアミド ガラス充填、UL94V-0(黒)
 ACTUATOR POLYAMIDE GLASS FILLED, UL94V-0(BLACK)
 ターミナル :リン青銅(t=0.15)
 TERMINAL PHOSPHOR BRONZE
 金具 :リン青銅(t=0.15)
 FITTING NAIL PHOSPHOR BRONZE

2.めっき仕様 PLATING

ターミナル TERMINAL
 錫銀ビスマスめっき (1.0µm以上)
 下地:ニッケルめっき (1.0µm以上)
 TINSILVER BISMUTH PLATING (1.0 MICROMETER MINIMUM)
 UNDERPLATE : NICKEL OVERALL (1.0 MICROMETER MINIMUM)
 金具 FITTING NAIL
 錫めっき(1.0µm以上)
 下地:ニッケルめっき (1.0µm以上)
 TIN PLATING (1.0 MICROMETER MIN.)
 UNDER PLATING : NICKEL PLATING (1.0 MICROMETER MIN.)

3.エンボステープ梱包時は、アクチュエータが閉じた状態とする。
 IN THE PACKAGE, ACTUATOR OF PART SHOULD BE CLOSED.

パターン剥離止め用金具

4. FITTING NAIL FOR PREVENTION OF PEELING OF P.C.B. PATTERN.

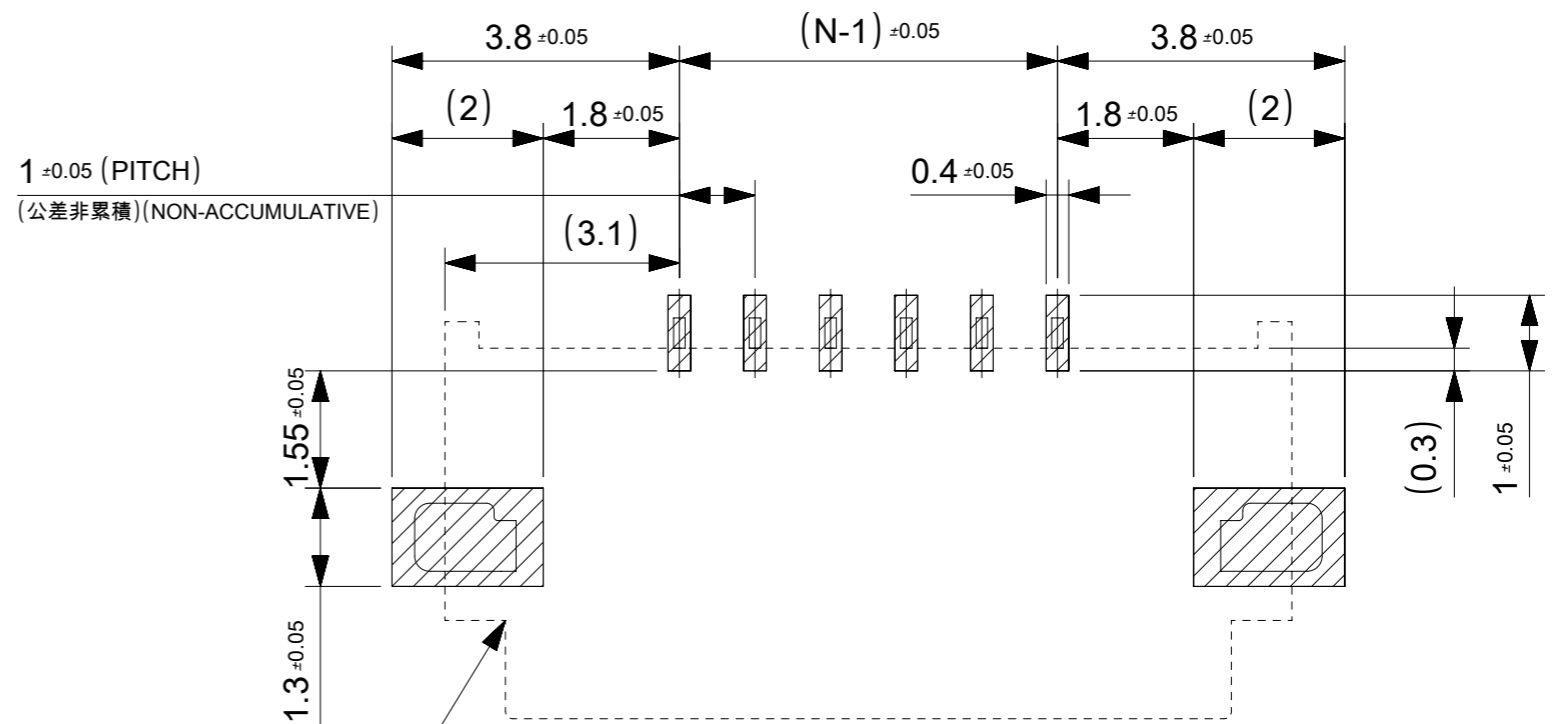
R0.3はFPC/FFC導体部にかからないこと。

5. R0.3 MUST NOT BE OVERLAPPED TO PATTERN OF FPC/FFC.

6.N:極数 N:CIRCUIT.

7.ELV及びRoHS適合品
 ELV AND RoHS COMPLIANT

8.テールと金具を併せた平坦度は0.1以下とする。
 TAILS AND NAILS COPLANALITY TO BE 0.1 MAX.



コネクタ位置
 (CONNECTOR POSITION)

推奨基板レイアウト
 RECOMENDED P.W.B.
 PATTERN LAYOUT

参考マスク厚 : 100µm
 参考マスク開口率 : 100%
 REFERENCE SCREEN THICKNESS : 100µm
 REFERENCE SCREEN OPEN RATIO : 100%

FPC/FFCについて ABOUT FPC/FFC

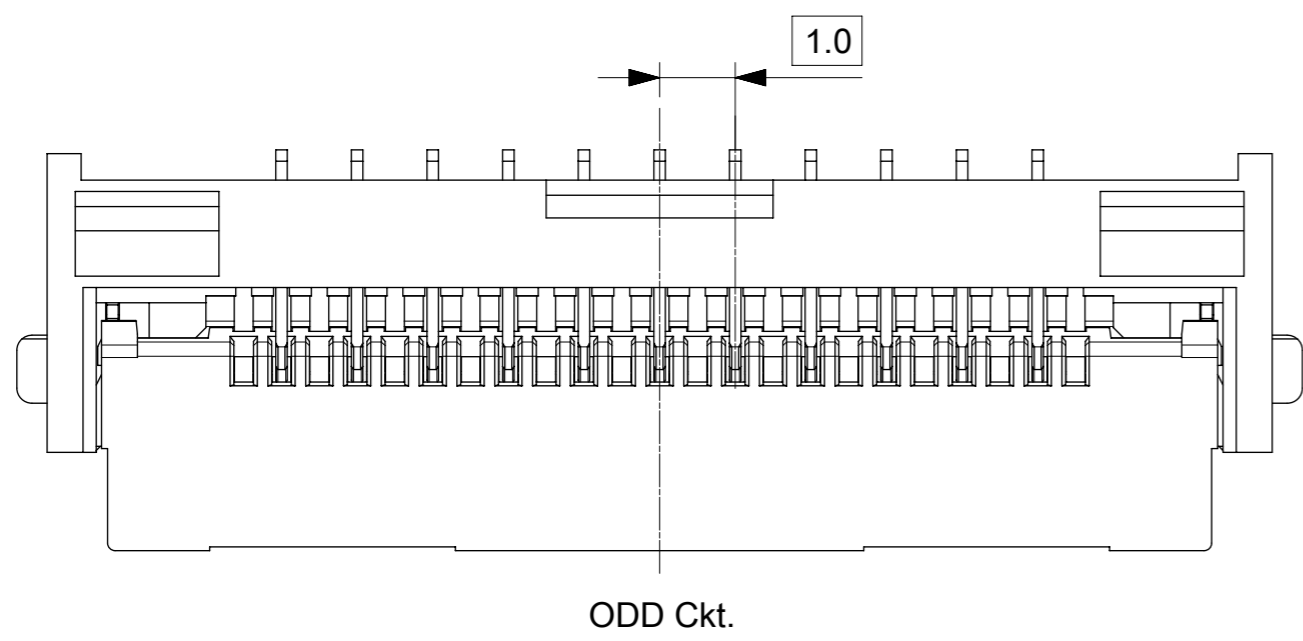
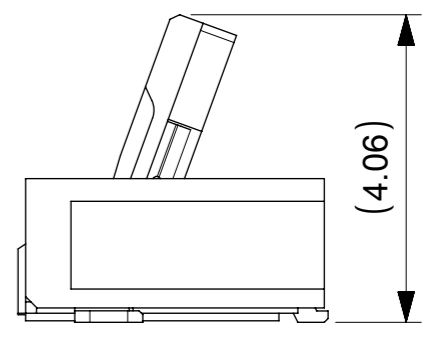
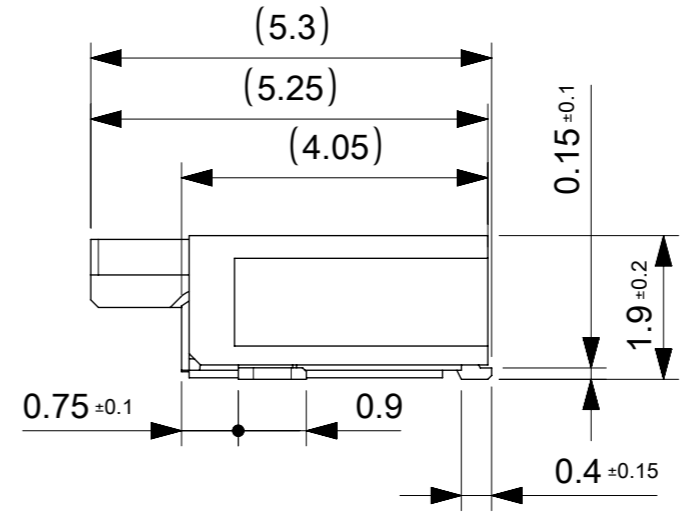
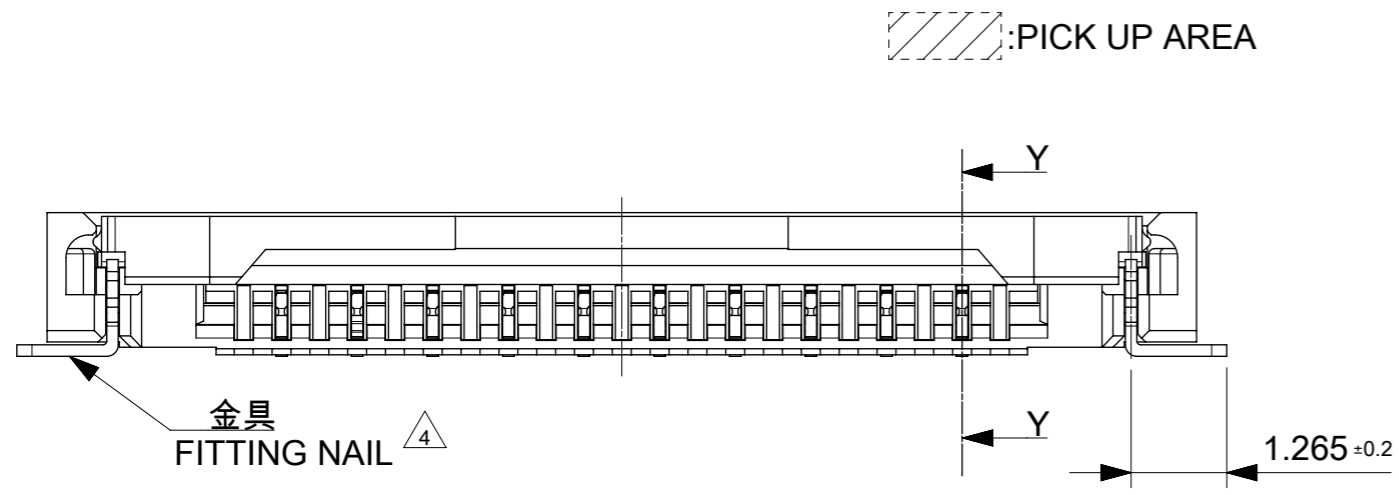
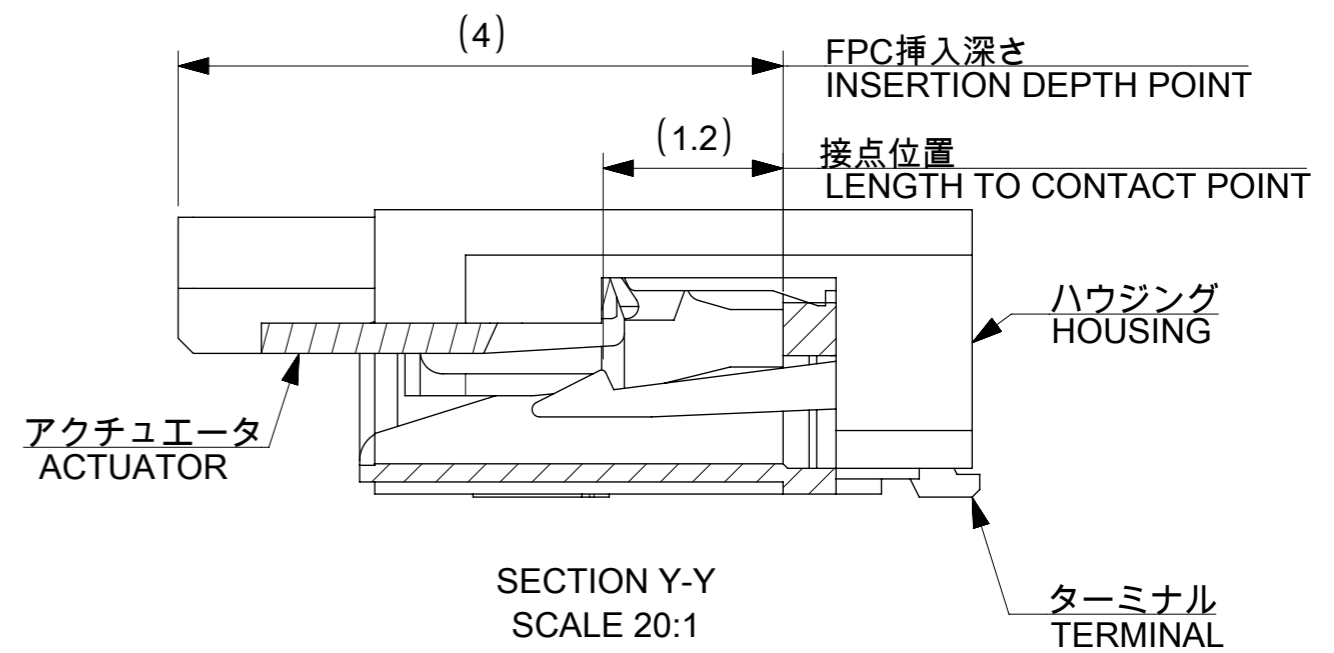
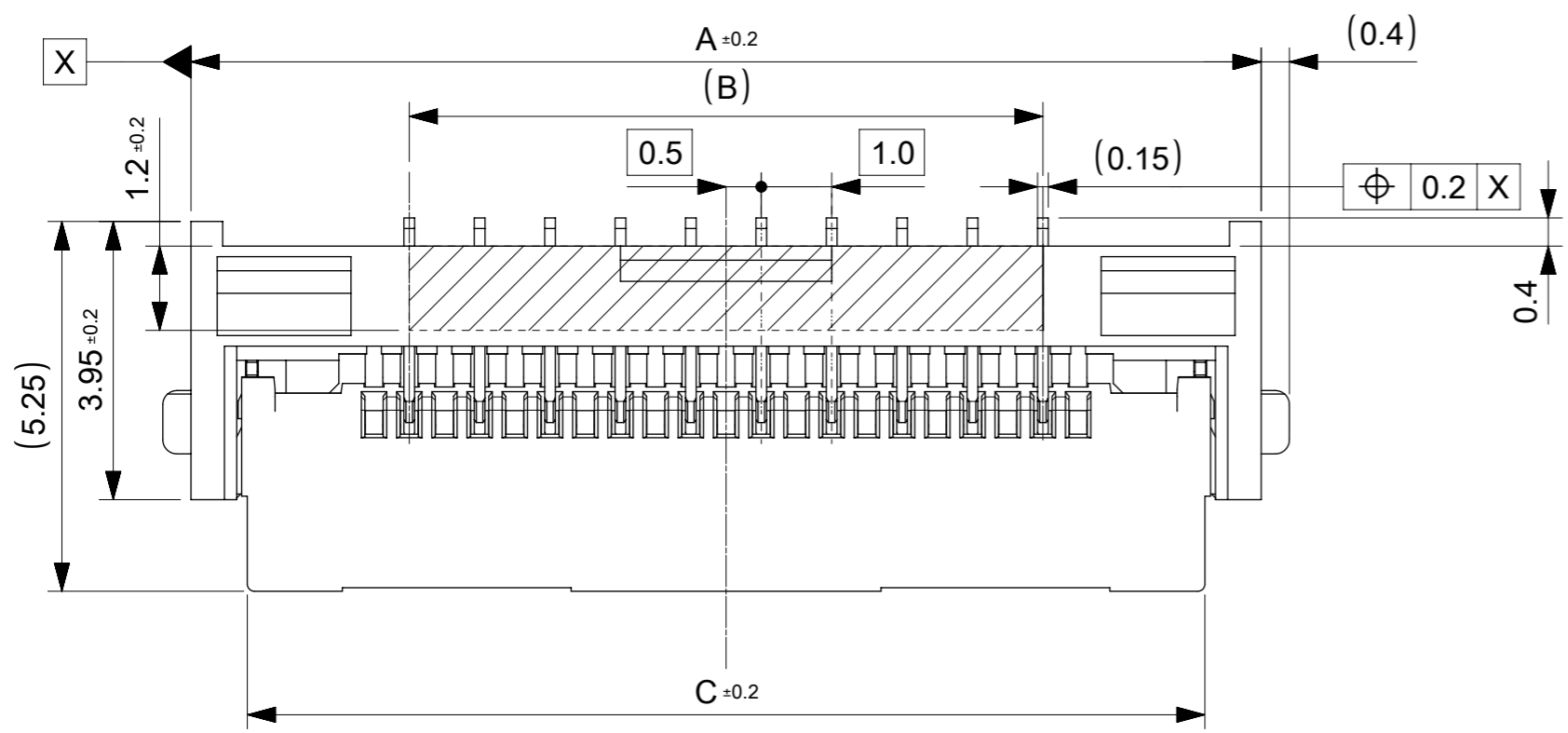
打ち抜き方向は導体側から補強板側を推奨します。
 導体部については軟箔銅35µmまたは50µmを推奨します。
 FFCに規定された定格温度がFFC単体前提である場合が御座います。
 コネクタと組み合わせての実使用において、接着層が劣化するなどの信頼性を満足できないケースを回避するため、
 実機での評価/確認をお願いいたします。
 RECOMMENDED PUNCHING DIRECTION : FROM CONDUCTOR SIDE TO STIFFENER SIDE
 RECOMMENDED CONDUCTOR SPEC : SOFT COPPER FOIL
 RECOMMENDED CONDUCTOR THICKNESS : 35 MICROMETER OR 50 MICROMETER
 WHEN ACTUALLY USING IT WITH CONNECTOR, PLEASE DO THE EVALUATION AND THE CONFIRMATION WITH AN ACTUAL EQUIPMENT TO EVADE THE CASE WHERE RELIABILITY CANNOT BE FILLED (THE ADHESIVE LINE OF FFC IS DETERIORATED ETC.)

FPCについて ABOUT FPC

補強フィルム材質はポリイミドを推奨します。ベースフィルムは25µmを推奨します。
 接着剤は熱硬化接着剤を推奨します。
 尚、接着剤の接点部への付着は導通不良の原因になりますので、染み出しが無い様お願い致します。
 RECOMMENDED MATERIAL/THICKNESS.
 RECOMMENDED STIFFENER MATERIAL: POLYIMIDE
 RECOMMENDED BASE FILM THICKNESS: 25 MICROMETER
 RECOMMENDED ADHESIVE: THERMOSETTING ADHESIVE
 PLEASE PUT APPROPRIATE AMOUNT OF ADHESIVE ON ADHEREND BECAUSE THERE IS A POSSIBILITY THAT THE EXTRA ADHESIVE CAUSES THE DEFECT IN ELECTRICAL CONTINUITY.
 THERE IS A POSSIBILITY THAT THE PRESCRIPT TEMPERATURE OF FFC IS SET TO SINGLE IT.

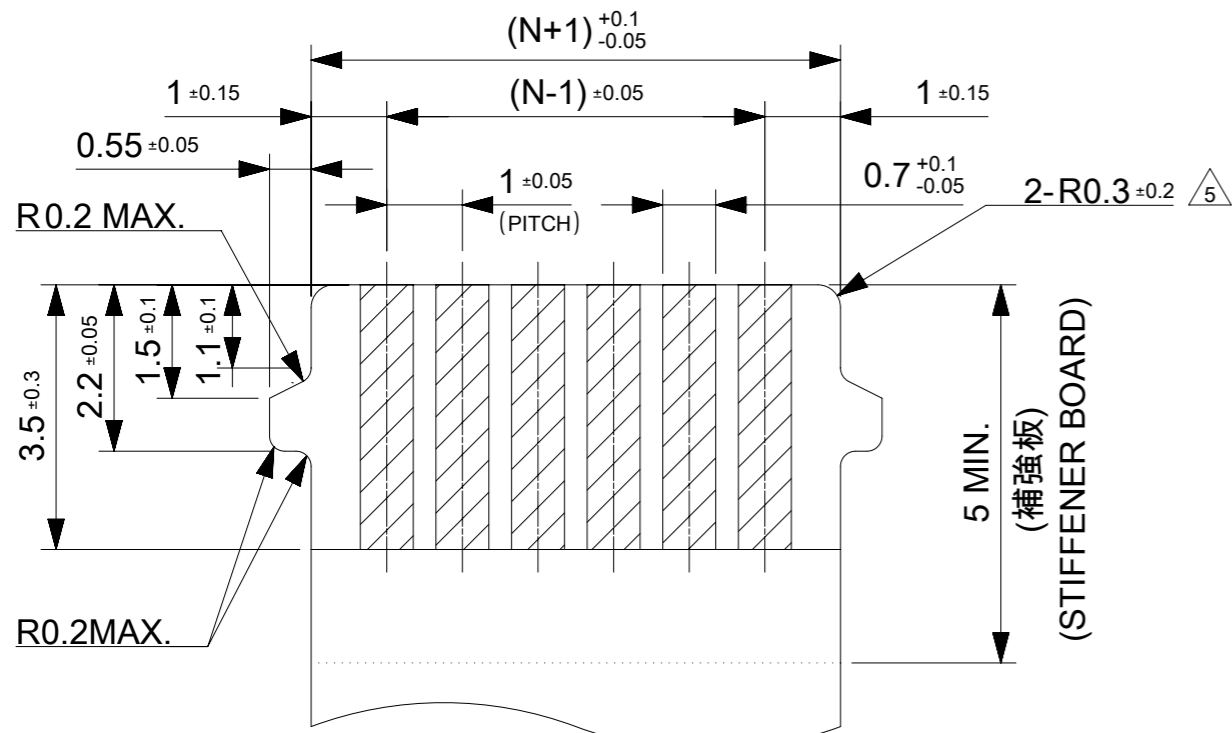
THIS DRAWING CONTAINS INFORMATION THAT IS PROPRIETARY TO MOLEX ELECTRONIC TECHNOLOGIES, LLC AND SHOULD NOT BE USED WITHOUT WRITTEN PERMISSION

REVISED	2017/06/09	GENERAL TOLERANCES (UNLESS SPECIFIED)		DIMENSION UNITS	SCALE	molex 1.0 FPC ZIF BTM CONT HSG ASSY	
	2017/06/12	ANGULAR TOL ± 1.0 °		MM	±±		
	2017/06/12	4 PLACES ± 0.05	MTAKAHASHI04	DATE	2015/12/24		
	2017/06/12	3 PLACES ± 0.1	CHK'D BY	DATE	KTAKAHASHI 2015/12/25		
EC NO: 117930 DRWN: JASANUMA CHK'D: YKOBAYASHI02 APPR: TKUSUHARA01	REV	2 PLACES ± 0.2	APPR BY	DATE	YNOGAWA 2016/01/04	PRODUCT CUSTOMER DRAWING	
		1 PLACE ± 0.2	DRAWING SIZE	THIRD ANGLE PROJECTION	A3		
		0 PLACES ± 0.2	DRAFT WHERE APPLICABLE MUST REMAIN WITHIN DIMENSIONS				
		SERIES		MATERIAL NUMBER	CUSTOMER		
200529		SEE SHEET 1	GENERAL				
DOCUMENT NUMBER		DOC TYPE	DOC PART	SHEET NUMBER			
2005291000		PSD	000	3 OF 3			

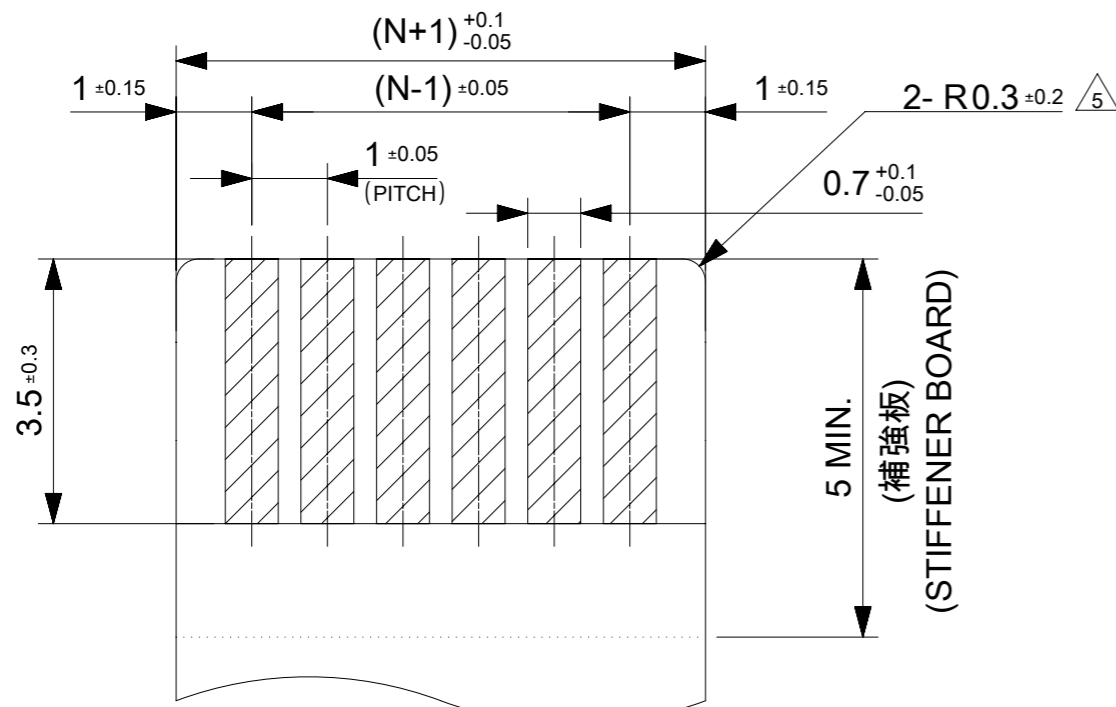


25.6	21	27.2	2005290220	22
20.6	16	22.2	2005290170	17
15.6	11	17.2	2005290120	12
C	B	A	EMBOSSED PACKAGE	Ckt
			オーダー番号 ORDER NO.	
CONNECTOR SERIES NO. 2005291**0				

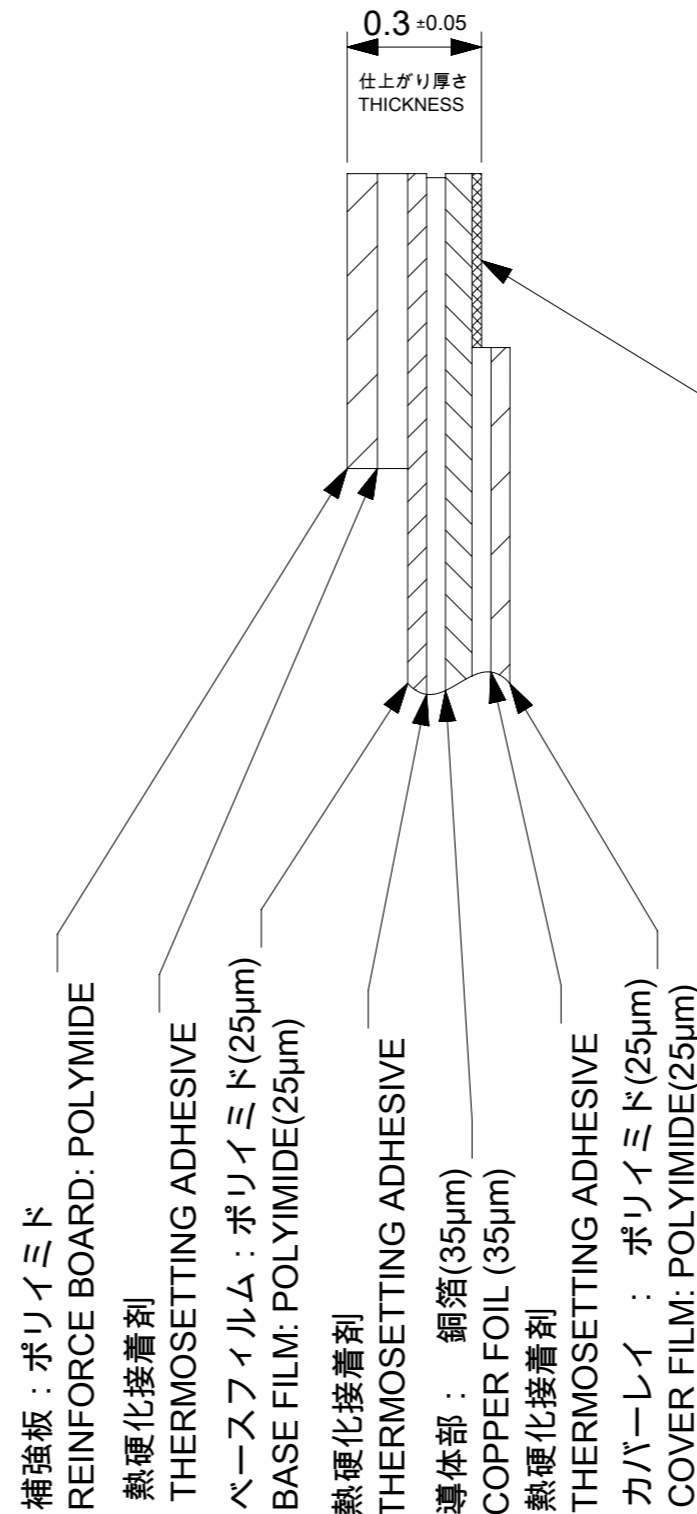
THIS DRAWING CONTAINS INFORMATION THAT IS PROPRIETARY TO MOLEX ELECTRONIC TECHNOLOGIES, LLC AND SHOULD NOT BE USED WITHOUT WRITTEN PERMISSION				
DIMENSION UNITS	SCALE	CURRENT REV DESC:		
mm	10:1			
GENERAL TOLERANCES (UNLESS SPECIFIED)				
ANGULAR TOL	± 1.0 °			
4 PLACES	± 0.05	EC NO: 698599		
3 PLACES	± 0.1	DRWN: KYHWANG	2022/01/28	
2 PLACES	± 0.2	CHK'D: SHOSHIKAWA	2022/03/11	
1 PLACE	± 0.2	APPR: SHOSHIKAWA	2022/03/11	
0 PLACES	± 0.2	INITIAL REVISION:		
DRAFT WHERE APPLICABLE MUST REMAIN WITHIN DIMENSIONS		DRWN: MTAKAHASHI04	2015/12/24	
		APPR: YNOGAWA	2016/01/04	
THIRD ANGLE PROJECTION		DRAWING	SERIES	MATERIAL NUMBER
		A3-SIZE	200529	SEE CHART
		CUSTOMER	SHEET NUMBER	
		GENERAL	1 OF 3	



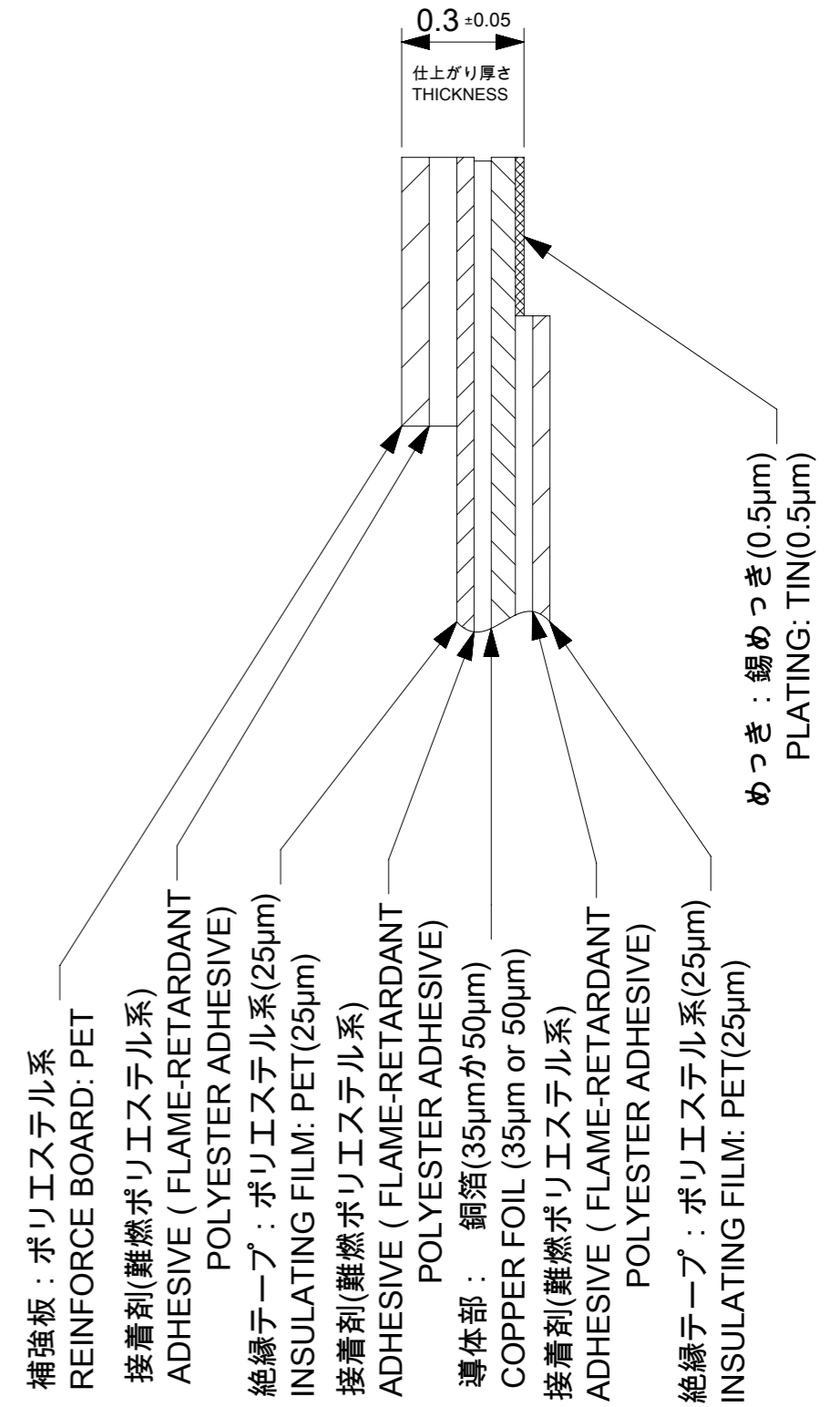
適合FPC/FFC推奨寸法
APPLICABLE FPC/FFC
RECOMMENDED DIMENSION



耳無し適合FPC/FFC推奨寸法
APPLICABLE NON-TAB FPC/FFC
RECOMMENDED DIMENSION



FPC構成推奨仕様
STRUCTURE OF FPC



FFC構成推奨仕様
STRUCTURE OF FFC

THIS DRAWING CONTAINS INFORMATION THAT IS PROPRIETARY TO MOLEX ELECTRONIC TECHNOLOGIES, LLC AND SHOULD NOT BE USED WITHOUT WRITTEN PERMISSION									
DIMENSION UNITS		SCALE		CURRENT REV DESC:				molex	
mm		#							
GENERAL TOLERANCES (UNLESS SPECIFIED)									
ANGULAR TOL ± 1.0°									
4 PLACES		± 0.05		EC NO: 698599		2022/01/28		1.0 FPC ZIF BTM CONT HSG ASSY	
3 PLACES		± 0.1		DRWN: KYHWANG		2022/03/11		PRODUCT CUSTOMER DRAWING	
2 PLACES		± 0.2		CHK'D: SHOSHIKAWA		2022/03/11		DOCUMENT NUMBER	
1 PLACE		± 0.2		APPR: SHOSHIKAWA		2022/03/11		DOC TYPE	
0 PLACES		± 0.2		INITIAL REVISION:				DOC PART	
				DRWN: MTAKAHASHI04		2015/12/24		REVISION	
				APPR: YNOGAWA		2016/01/04		2005291006	
DRAFT WHERE APPLICABLE MUST REMAIN WITHIN DIMENSIONS		THIRD ANGLE PROJECTION		DRAWING		SERIES		MATERIAL NUMBER	
		A3-SIZE		200529		SEE SHEET 1		CUSTOMER	
								GENERAL	
								SHEET NUMBER	
								2 OF 3	

注記 NOTES

1.使用材料 MATERIAL

ハウジング :液晶ポリマー ガラス充填、UL94V-0(ベージュ)
 HOUSING LIQUID CRYSTAL POLYMER GLASS FILLED, UL94V-0(BEIGE)
 アクチュエータ :ポリアミド ガラス充填、UL94V-0(黒)
 ACTUATOR POLYAMIDE GLASS FILLED, UL94V-0(BLACK)
 ターミナル :リン青銅(t=0.15)
 TERMINAL PHOSPHOR BRONZE
 金具 :リン青銅(t=0.15)
 FITTING NAIL PHOSPHOR BRONZE

2.めっき仕様 PLATING

ターミナル TERMINAL
 錫銀ビスマスめっき (1.0μm以上)
 下地:ニッケルめっき (1.0μm以上)
 TINSILVER BISMUTH PLATING (1.0 MICROMETER MINIMUM)
 UNDERPLATE : NICKEL OVERALL (1.0 MICROMETER MINIMUM)
 金具 FITTING NAIL
 錫めっき(1.0μm以上)
 下地:ニッケルめっき (1.0μm以上)
 TIN PLATING (1.0 MICROMETER MIN.)
 UNDER PLATING : NICKEL PLATING (1.0 MICROMETER MIN.)

3.エンボステーブ梱包時は、アクチュエータが閉じた状態とする。
 IN THE PACKAGE, ACTUATOR OF PART SHOULD BE CLOSED.

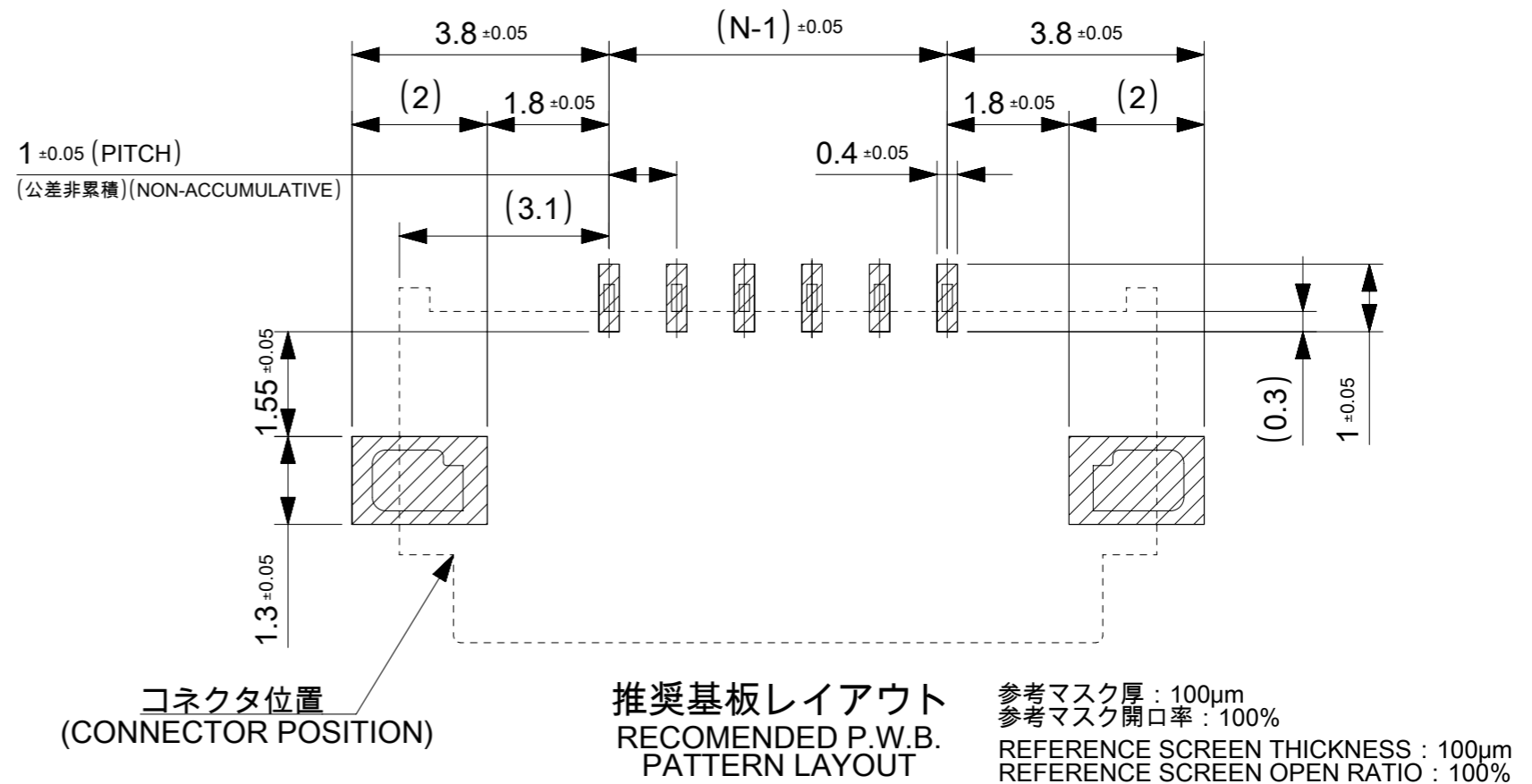
4. パターン剥離止め用金具
 FITTING NAIL FOR PREVENTION OF PEELING OF P.C.B. PATTERN.

5. R0.3はFPC/FFC導体部にかからないこと。
 R0.3 MUST NOT BE OVERLAPPED TO PATTERN OF FPC/FFC.

6.N:極数 N:CIRCUIT.

7.ELV及びRoHS適合品
 ELV AND RoHS COMPLIANT

8.テールと金具を併せた平坦度は0.1以下とする。
 TAILS AND NAILS COPLANALITY TO BE 0.1 MAX.



FPC/FFCについて ABOUT FPC/FFC

打ち抜き方向は導体側から補強板側を推奨します。
 導体部については軟箔銅35μmまたは50μmを推奨します。
 FFCに規定された定格温度がFFC単体前提である場合が御座います。
 コネクタと組み合わせての実使用において、接着層が劣化するなどの信頼性を満足できないケースを回避するため、
 実機での評価/確認をお願いいたします。

RECOMMENDED PUNCHING DIRECTION : FROM CONDUCTOR SIDE TO STIFFENER SIDE
 RECOMMENDED CONDUCTOR SPEC : SOFT COPPER FOIL
 RECOMMENDED CONDUCTOR THICKNESS : 35 MICROMETER OR 50 MICROMETER
 WHEN ACTUALLY USING IT WITH CONNECTOR, PLEASE DO THE EVALUATION AND THE CONFIRMATION WITH AN ACTUAL EQUIPMENT TO EVADE THE CASE WHERE RELIABILITY CANNOT BE FILLED (THE ADHESIVE LINE OF FFC IS DETERIORATED ETC.)

FPCについて ABOUT FPC

補強フィルム材質はポリイミドを推奨します。ベースフィルムは25μmを推奨します。
 接着剤は熱硬化接着剤を推奨します。
 尚、接着剤の接点部への付着は導通不良の原因になりますので、染み出しが無い様お願い致します。
 RECOMMENDED MATERIAL/THICKNESS.
 RECOMMENDED STIFFENER MATERIAL: POLYIMIDE
 RECOMMENDED BASE FILM THICKNESS: 25 MICROMETER
 RECOMMENDED ADHESIVE: THERMOSETTING ADHESIVE
 PLEASE PUT APPROPRIATE AMOUNT OF ADHESIVE ON ADHEREND BECAUSE THERE IS A POSSIBILITY THAT THE EXTRA ADHESIVE CAUSES THE DEFECT IN ELECTRICAL CONTINUITY.
 THERE IS A POSSIBILITY THAT THE PRESCRIPT TEMPERATURE OF FFC IS SET TO SINGLE IT.

THIS DRAWING CONTAINS INFORMATION THAT IS PROPRIETARY TO MOLEX ELECTRONIC TECHNOLOGIES, LLC AND SHOULD NOT BE USED WITHOUT WRITTEN PERMISSION									
DIMENSION UNITS		SCALE		CURRENT REV DESC:				molex	
mm		±±							
GENERAL TOLERANCES (UNLESS SPECIFIED)									
ANGULAR TOL ± 1.0 °									
4 PLACES		± 0.05		EC NO: 698599		2022/01/28		1.0 FPC ZIF BTM CONT HSG ASSY	
3 PLACES		± 0.1		DRWN: KYHWANG		2022/03/11			
2 PLACES		± 0.2		CHK'D: SHOSHIKAWA		2022/03/11			
1 PLACE		± 0.2		INITIAL REVISION:				DOCUMENT NUMBER	
0 PLACES		± 0.2		DRWN: MTAKAHASHI04		2015/12/24		2005291006	
				APPR: YNOGAWA		2016/01/04		DOC TYPE DOC PART REVISION	
DRAFT WHERE APPLICABLE MUST REMAIN WITHIN DIMENSIONS		THIRD ANGLE PROJECTION		DRAWING		SERIES		SHEET NUMBER	
		A3-SIZE		200529		SEE SHEET 1		GENERAL 3 OF 3	