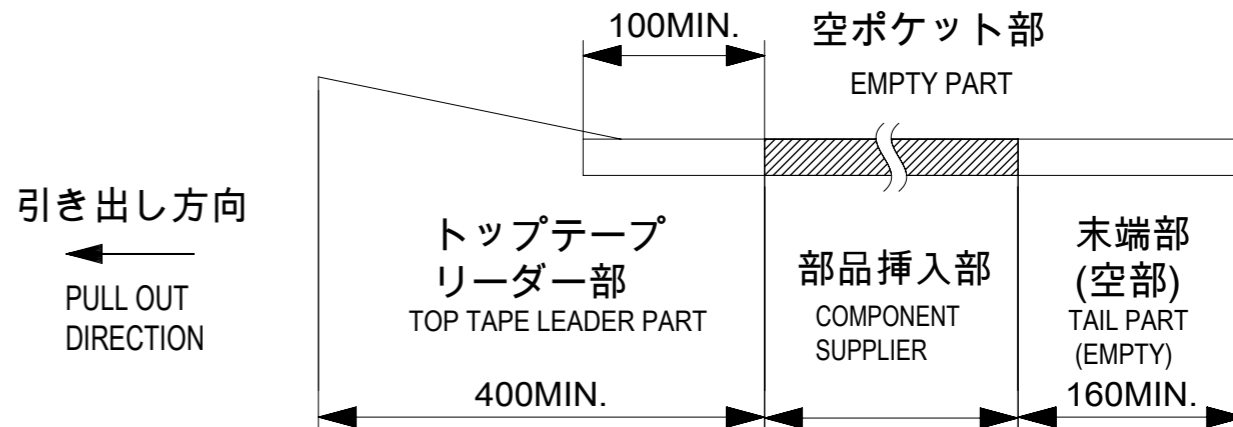


NOTES

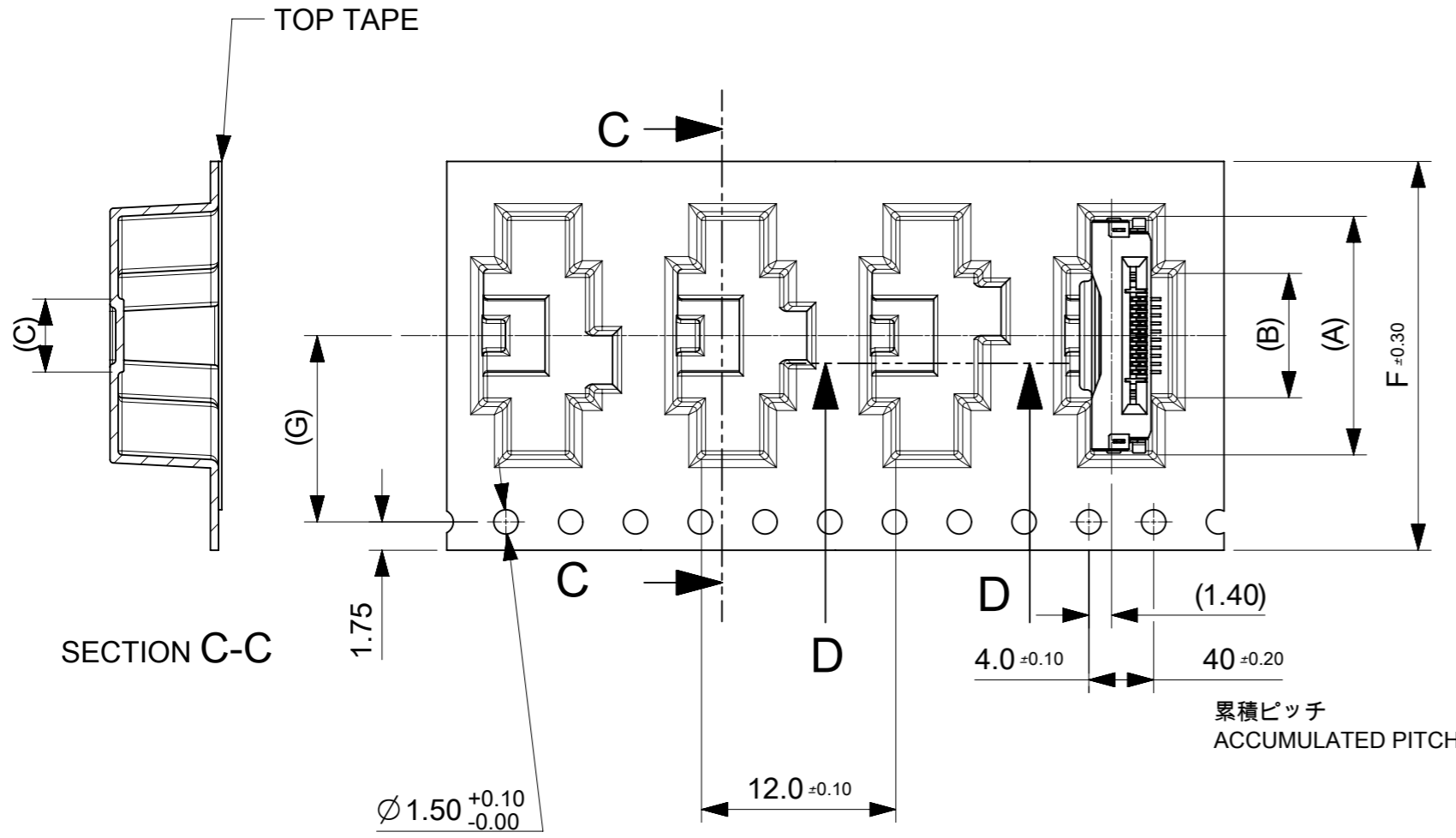
- 梱包数量 : 1200個 / リール
NUMBER OF CONNECTORS : 1200 PCS/REEL.
- リードテープ長さ
LEAD TAPE LENGTH



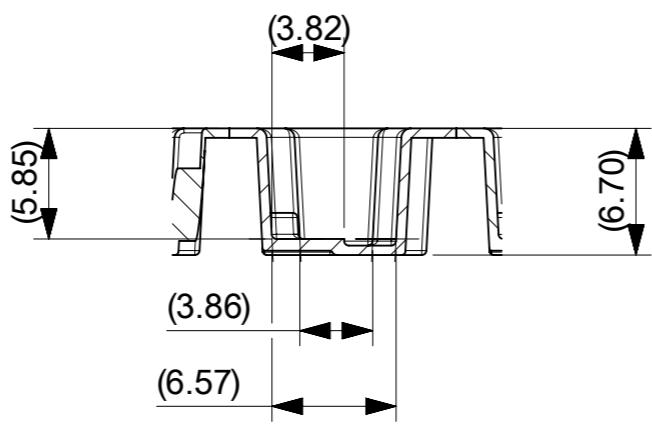
- カバーテープの剥離強度については、IEC60286-3に準拠。
TOP TAPE PEEL FORCE IS DEFINED BY IEC 60286-3.
- 製品詳細寸法については、図面 2004851100を参照下さい。
FOR DIMENTIONS OF PRODUCT, REFER TO 2004851100
- 材料 MATERIAL
キャリアテープ : ポリスチレン
CARRIER TAPE : POLYSTYRENE
トップテープ : ポリエチレンテレフタレート、ポリエチレン
TOP TAPE : POLYETHYLENE TEREHTHALATE, POLYETHYLENE
リール : ポリスチレン<リサイクル材を含む>
REEL: POLYSTYRENE RECYCLED MATERIAL CONTAINED
- ELV及びRoHS適合品 ELV AND RoHS COMPLIANT.

THIS DRAWING CONTAINS INFORMATION THAT IS PROPRIETARY TO MOLEX ELECTRONIC TECHNOLOGIES, LLC AND SHOULD NOT BE USED WITHOUT WRITTEN PERMISSION		CURRENT REV DESC:		molex		
DIMENSION UNITS	SCALE					
mm	NTS			EMB PKG ONE-TOUCH ST HT		
GENERAL TOLERANCES (UNLESS SPECIFIED)				PRODUCT CUSTOMER DRAWING		
ANGULAR TOL	± 1.0 °			DOCUMENT NUMBER		
4 PLACES	± 0.1	EC NO: 648126		2004850100		
3 PLACES	± 0.1	DRWN: TYAMANE		PSD		
2 PLACES	± 0.1	CHK'D: YMATSUMOTO		000		
1 PLACE	± 0.1	APPR: SHOSHIKAWA		B		
0 PLACES	± 0.1	INITIAL REVISION:		REVISION		
DRAFT WHERE APPLICABLE MUST REMAIN WITHIN DIMENSIONS		THIRD ANGLE PROJECTION	DRAWING	SERIES	MATERIAL NUMBER	CUSTOMER
			A3-SIZE	200485	SEE TABLE	GENERAL
						SHEET NUMBER
						1 OF 3

引き出し方向
PULL OUT
DIRECTION



累積ピッチ
ACCUMULATED PITCH



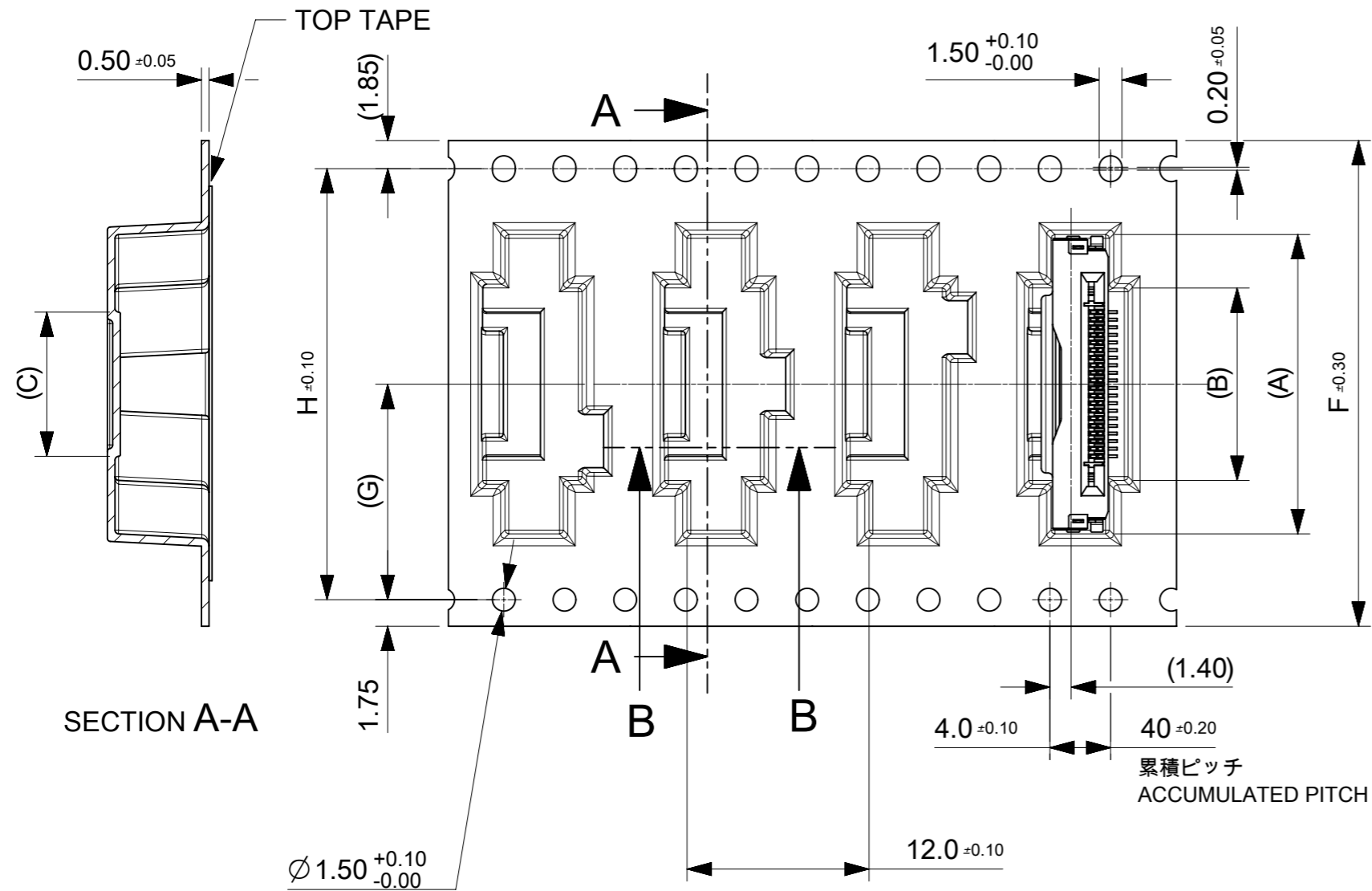
SECTION D-D

11.5	24	29.4	25.4	4.5	7.65	14.7	2004850110	10
G	F	E	D	C	B	A	EMBOSSED PACKAGE	Ckt
							オーダー番号 ORDER NO.	

THIS DRAWING CONTAINS INFORMATION THAT IS PROPRIETARY TO MOLEX ELECTRONIC TECHNOLOGIES, LLC AND SHOULD NOT BE USED WITHOUT WRITTEN PERMISSION											
DIMENSION UNITS mm		SCALE NTS		CURRENT REV DESC:						molex	
GENERAL TOLERANCES (UNLESS SPECIFIED)				EC NO: 648126							
ANGULAR TOL ± 1.0°				4 PLACES ± 0.1		DRWN: TYAMANE		2020/10/15		EMB PKG ONE-TOUCH ST HT	
				3 PLACES ± 0.1		CHK'D: YMATSUMOTO		2020/10/30		PRODUCT CUSTOMER DRAWING	
				2 PLACES ± 0.1		APPR: SHOSHIKAWA		2020/11/02		DOCUMENT NUMBER	
				1 PLACE ± 0.1		INITIAL REVISION:		DRWN: TYAMANE		2004850100	
				0 PLACES ± 0.1		APPR: SHOSHIKAWA		2020/06/08		DOC TYPE DOC PART REVISION	
DRAFT WHERE APPLICABLE MUST REMAIN WITHIN DIMENSIONS				THIRD ANGLE PROJECTION		DRAWING		SERIES		MATERIAL NUMBER	
				A3-SIZE		200485		SEE TABLE		CUSTOMER	
						GENERAL		SHEET NUMBER		2 OF 3	

CONNECTOR NO. 20048511**

引き出し方向
PULL OUT
DIRECTION



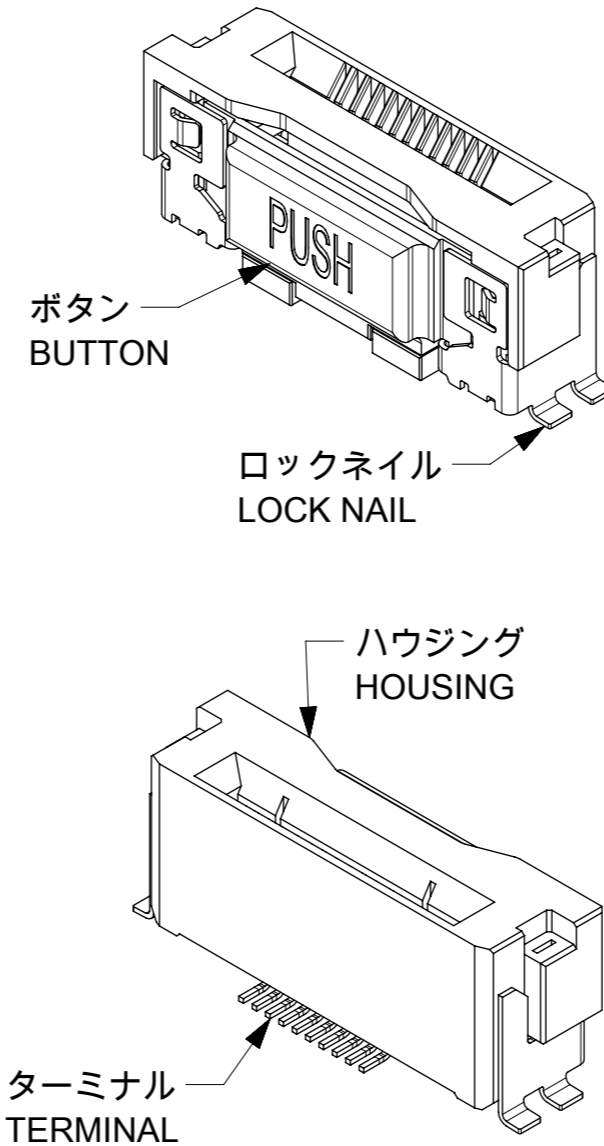
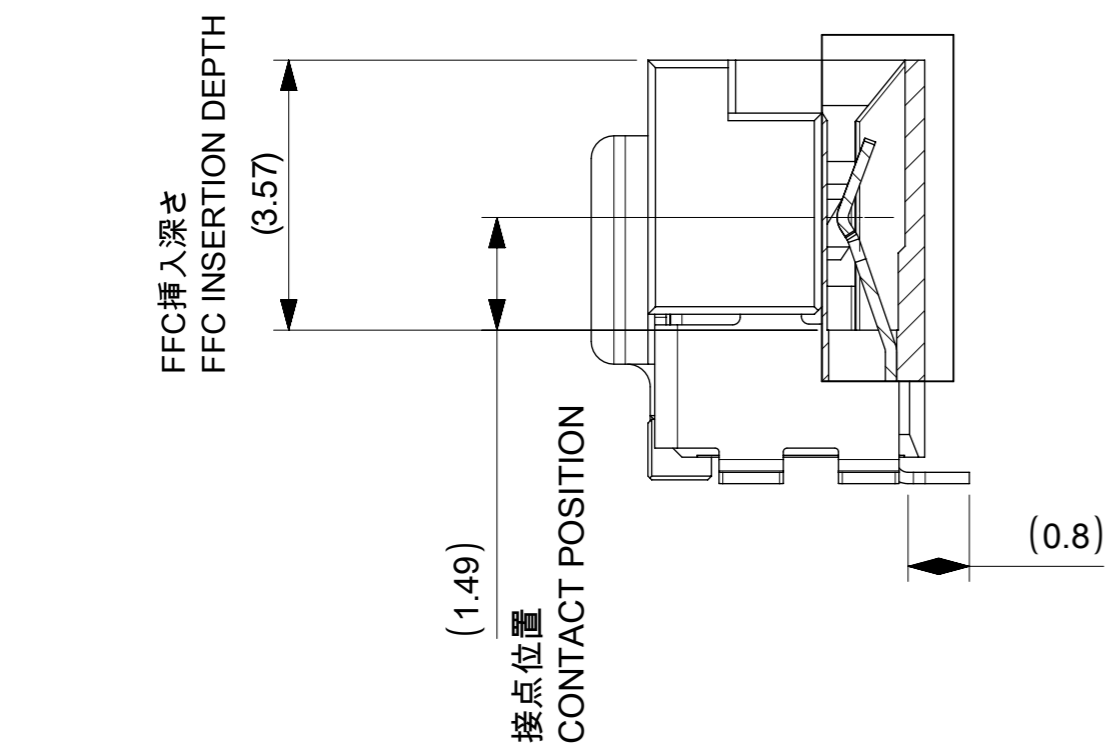
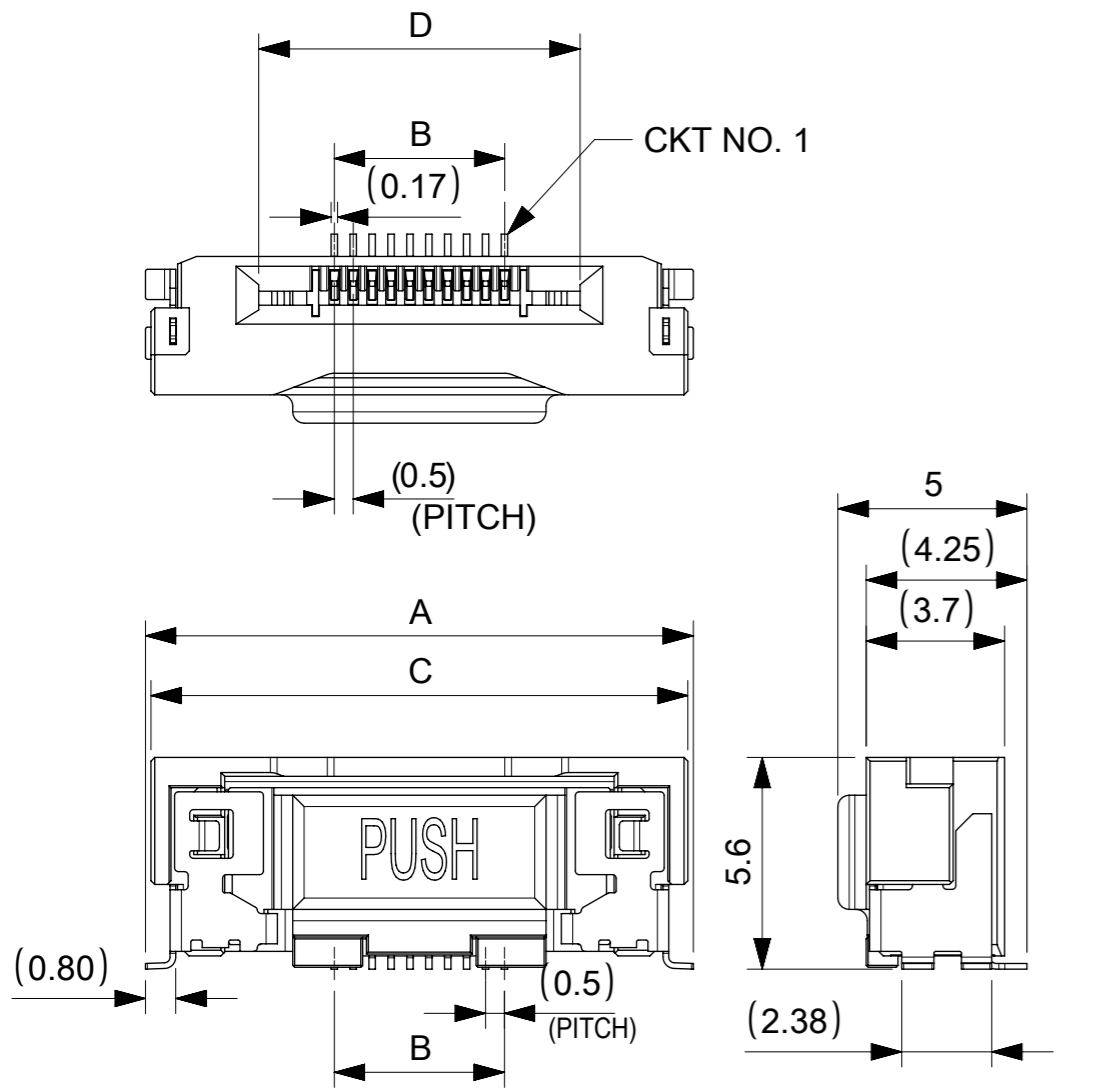
68.4	34.2	72	78.1	73.5	39.5	42.65	49.7	2004850180	80
					34.5	37.65	44.7	2004850170	70
52.4	26.2	56	61.4	75.4	29.5	32.65	39.7	2004850160	60
					25	28.15	35.2	2004850151	51
40.4	20.2	44	49.4	45.4	24.5	27.65	34.7	2004850150	50
					19.5	22.65	29.7	2004850140	40
					17	20.15	27.2	2004850135	35
28.4	14.2	32	37.4	33.4	14.5	17.65	24.7	2004850130	30
					9.5	12.65	19.7	2004850120	20
H	G	F	E	D	C	B	A	EMBOSSED PACKAGE	Ckt
								オーダー番号 ORDER NO.	

THIS DRAWING CONTAINS INFORMATION THAT IS PROPRIETARY TO MOLEX ELECTRONIC TECHNOLOGIES, LLC AND SHOULD NOT BE USED WITHOUT WRITTEN PERMISSION

DIMENSION UNITS	SCALE	CURRENT REV DESC:		molex	
mm	NTS				
GENERAL TOLERANCES (UNLESS SPECIFIED)		EC NO: 648126		EMB PKG ONE-TOUCH ST HT	
ANGULAR TOL	± 1.0 °	4 PLACES	± 0.1	DRWN: TYAMANE	2020/10/15
3 PLACES	± 0.1	3 PLACES	± 0.1	CHK'D: YMATSUMOTO	2020/10/30
2 PLACES	± 0.1	2 PLACES	± 0.1	APPR: SHOSHIKAWA	2020/11/02
1 PLACE	± 0.1	INITIAL REVISION:		DOCUMENT NUMBER	
0 PLACES	± 0.1	DRWN: TYAMANE	2018/10/04	2004850100	
DRAFT WHERE APPLICABLE MUST REMAIN WITHIN DIMENSIONS		APPR: SHOSHIKAWA	2020/06/08	DOC TYPE	DOC PART
THIRD ANGLE PROJECTION		DRAWING		PSD	000
A3-SIZE		SERIES	200485	REVISION	B
MATERIAL NUMBER		CUSTOMER		SHEET NUMBER	
SEE TABLE		GENERAL		3 OF 3	

SECTION B-B

CONNECTOR NO. 20048511**

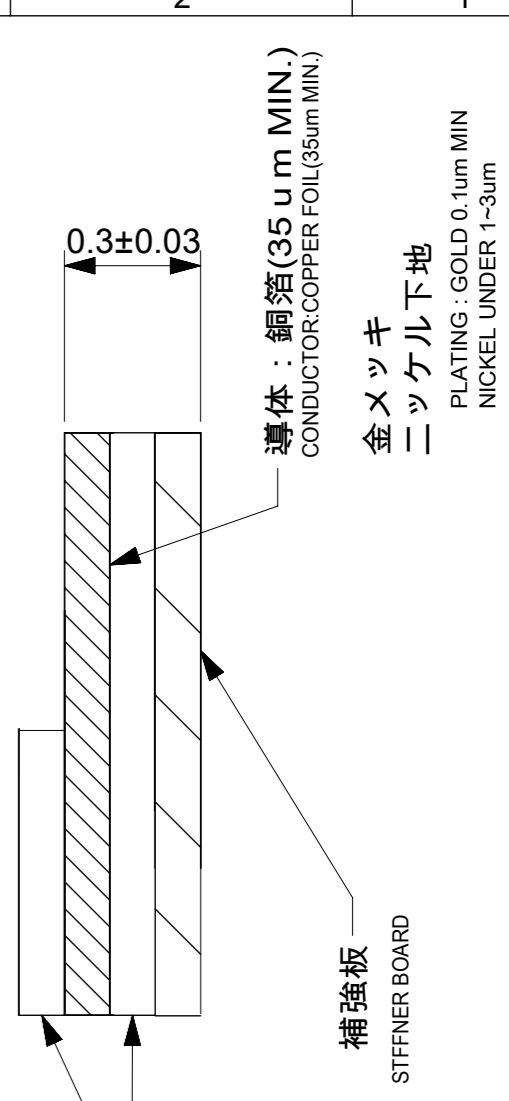
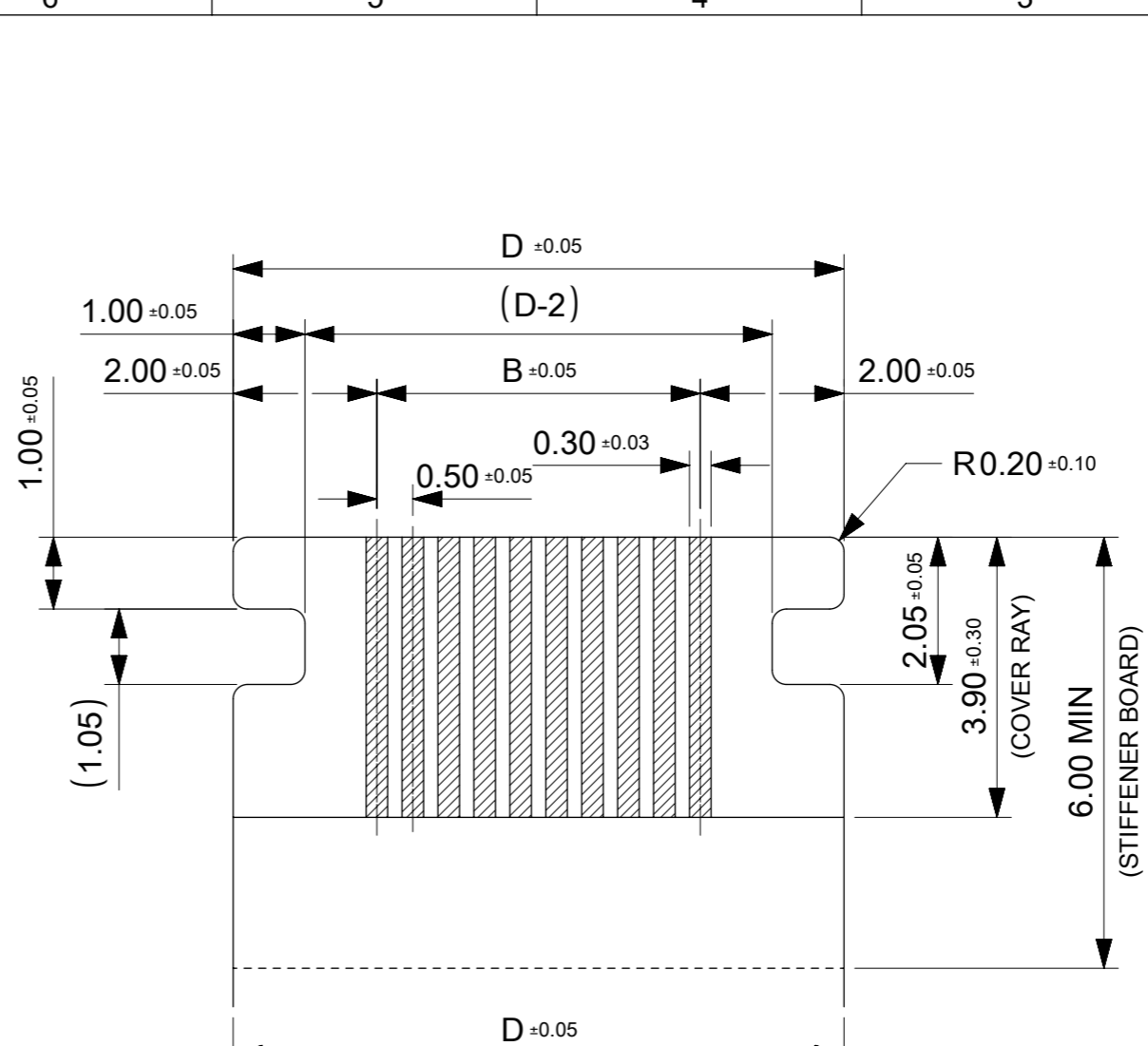
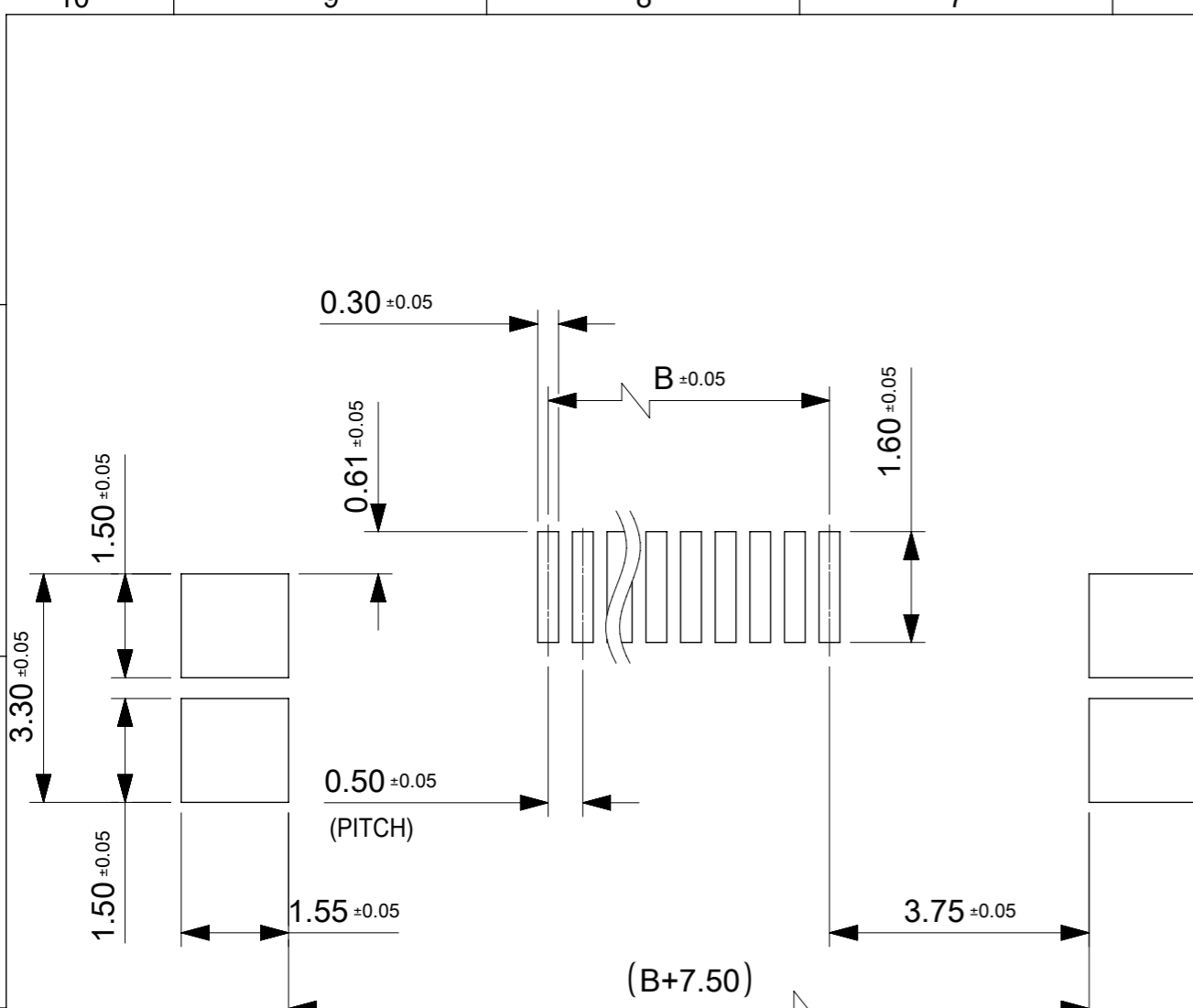


NOTES:

- 1.使用材料 MATERIAL
 ハウジング：液晶ポリマー，ガラス充填，UL94V-0(黒)
 HOUSING：LIQUID CRYSTAL POLYMER, GLASS FILLED, UL94V-0(BLACK)
 ボタン：液晶ポリマー，ガラス充填，UL94V-0(ナチュラル)
 BUTTON：LIQUID CRYSTAL POLYMER, GLASS FILLED, UL94V-0(NATURAL)
 ターミナル：銅合金(t=0.15)
 TERMINAL：COPPER ALLOY
 ロックネイル：銅合金(t=0.15)
 LOCK NAIL：COPPER ALLOY
- 2.めっき仕様 PLATING
 ターミナル TERMINAL
 接点部：金めっき 0.1μm以上
 CONTACT AREA：GOLD 0.1 MICROMETER MINIMUM
 半田付け部：金めっき
 SOLDER TAIL AREA：GOLD
 下地めっき：ニッケル 1.0μm以上
 UNDERPLATE：NICKEL 1.0 MICROMETER MINIMUM
 ロックネイル LOCK NAIL
 錫めっき(1.0μm以上)
 TIN PLATING (1.0 MICROMETER MIN.)
- 3.平坦度は0.1ミリ以下とする。
 COPLANALITY TO BE 0.1 MAXIMUM.

1.301	43.5	49.2	39.5	49.49	2004850180	80
1.194	38.5	44.2	34.5	44.49	2004850170	70
1.053	33.5	39.2	29.5	39.49	2004850160	60
0.958	29	34.7	25	34.99	2004850151	51
0.942	28.5	34.2	24.5	34.49	2004850150	50
0.796	23.5	29.2	19.5	29.49	2004850140	40
0.702	21	26.7	17	26.99	2004850135	35
0.650	18.5	24.2	14.5	24.49	2004850130	30
0.504	13.5	19.2	9.5	19.49	2004850120	20
0.358	8.5	14.2	4.5	14.49	2004850110	10
NET WEIGHT (g)	D	C	B	A	EMBOSSED PACKAGE	CIRCUIT
CONNECTOR SERIES NO. 20048511**						

THIS DRAWING CONTAINS INFORMATION THAT IS PROPRIETARY TO MOLEX ELECTRONIC TECHNOLOGIES, LLC AND SHOULD NOT BE USED WITHOUT WRITTEN PERMISSION						
DIMENSION UNITS	SCALE	CURRENT REV DESC:				
mm	5:1	molex				
GENERAL TOLERANCES (UNLESS SPECIFIED)						
ANGULAR TOL	± 1.0°	0.5FFFC CONN. ST ONE TOUCH ASS'Y HT				
4 PLACES	± 0.1					
3 PLACES	± 0.1	PRODUCT CUSTOMER DRAWING				
2 PLACES	± 0.1	EC NO: 674194		DOCUMENT NUMBER	DOC TYPE	DOC PART
1 PLACE	± 0.1	DRWN: AHMADI2 2021/08/18		2004851100	PSD	000
0 PLACES	± 0.1	CHK'D: TKON 2021/08/19				
DRAFT WHERE APPLICABLE MUST REMAIN WITHIN DIMENSIONS		APPR: SHOSHIKAWA 2021/08/19		SHEET NUMBER		
THIRD ANGLE PROJECTION		DRAWING	SERIES	MATERIAL NUMBER	CUSTOMER	
		A3-SIZE	200485	SEE TABLE	GENERAL	
					1 OF 2	



金メッキ
ニッケル下地
PLATING: GOLD 0.1 μm MIN
NICKEL UNDER 1-3 μm

推奨PWB寸法
RECOMMENDED PWB DIMENSION
推奨メタルマスク厚、開口率: t=0.12mm, 80%
RECOMMENDED METAL MASK THICKNESS, APERTURE RATIO: t=0.12mm, 80%
ロックネイル部開口率は100%
APERTURE RATIO FOR LOCK NAIL: 100%

推奨FFC寸法
RECOMMENDED FFC DIMENSION
抜き方向は導体側から補強版側を推奨します
RECOMMENDED PUNCHING DIRECTION:
FROM CONDUCTOR SIDE TO STIFFENER SIDE

THIS DRAWING CONTAINS INFORMATION THAT IS PROPRIETARY TO MOLEX ELECTRONIC TECHNOLOGIES, LLC AND SHOULD NOT BE USED WITHOUT WRITTEN PERMISSION									
DIMENSION UNITS		SCALE		CURRENT REV DESC:					
mm		10:1		<p>molex</p> <p>0.5FFC CONN. ST ONE TOUCH ASS'Y HT</p> <p>PRODUCT CUSTOMER DRAWING</p>					
GENERAL TOLERANCES (UNLESS SPECIFIED)									
ANGULAR TOL ± 1.0 °									
4 PLACES		± 0.1							
3 PLACES		± 0.1							
2 PLACES		± 0.1							
1 PLACE		± 0.1		EC NO: 674194		2021/08/18		DRWN: AHMADI2	
0 PLACES		± 0.1		DRWN: TYAMANE		2018/09/21		CHK'D: TKON	
DRAFT WHERE APPLICABLE MUST REMAIN WITHIN DIMENSIONS		THIRD ANGLE PROJECTION		DRAWING		SERIES		MATERIAL NUMBER	
		A3-SIZE		200485		2004851100		CUSTOMER	
						GENERAL		SHEET NUMBER	
						2 OF 2			

DOCUMENT STATUS	P1	RELEASE DATE	2021/08/19	01:59:51
-----------------	----	--------------	------------	----------