

Flush-type socket - SACC-CI-M12FSX-8CON-L180 TOR32 - 1413446

Please be informed that the data shown in this PDF Document is generated from our Online Catalog. Please find the complete data in the user's documentation. Our General Terms of Use for Downloads are valid (<http://phoenixcontact.com/download>)



Cat6_A flush-type socket, Ethernet, 8-pos., rear mounting, with straight solder connection

Your advantages

- ✓ Reduced mounting costs thanks to two-piece device connector
- ✓ Packaging available for automated pick and place assembly
- ✓ All common pin assignments and codings available
- ✓ Easy device integration thanks to mechanical port screw connections with threaded attachment, press-in contour or direct integration in the front plate



Key Commercial Data

Packing unit	100 pc
Minimum order quantity	100 pc
GTIN	
GTIN	4046356999083

Technical data

Ambient conditions

Ambient temperature (operation)	-40 °C ... 90 °C
Degree of protection	IP67, when plugged in

General

Note	The electrical and mechanical data specified assume that the connector pair is correctly locked and mounted. If the connector is unlocked and if there is a danger of contamination, the connector must be sealed using a protective cap > IP54. Influences arising from litz wires, cables or PCB assembly must also be taken into consideration.
Rated current at 40°C	0.5 A
Rated voltage	50 V AC

Flush-type socket - SACC-CI-M12FSX-8CON-L180 TOR32 - 1413446

Technical data

General

	60 V DC
Rated surge voltage	1.5 kV
Number of positions	8
Insulation resistance	> 100 MΩ
Coding	X - data
Standards/regulations	M12 connector IEC 61076-2-109
Signal type/category	Ethernet CAT6 _A
Overvoltage category	III
Degree of pollution	3
Connection method	THR solder connection
Insertion/withdrawal cycles	> 100
Mounting type	PCB mounting
Type of packaging	Belt
Delivery state	with assembly pad

Material

Flammability rating according to UL 94	V0
Contact material	CuZn
Contact surface material	Ni/Au
Contact carrier material	PPA
Material	Zinc die-cast, nickel-plated

Cable

Standards/specifications	M12 connector IEC 61076-2-109
Transmission characteristics (category)	CAT6 _A

Standards and Regulations

Standard designation	M12 connector
Standards/regulations	IEC 61076-2-109
Flammability rating according to UL 94	V0

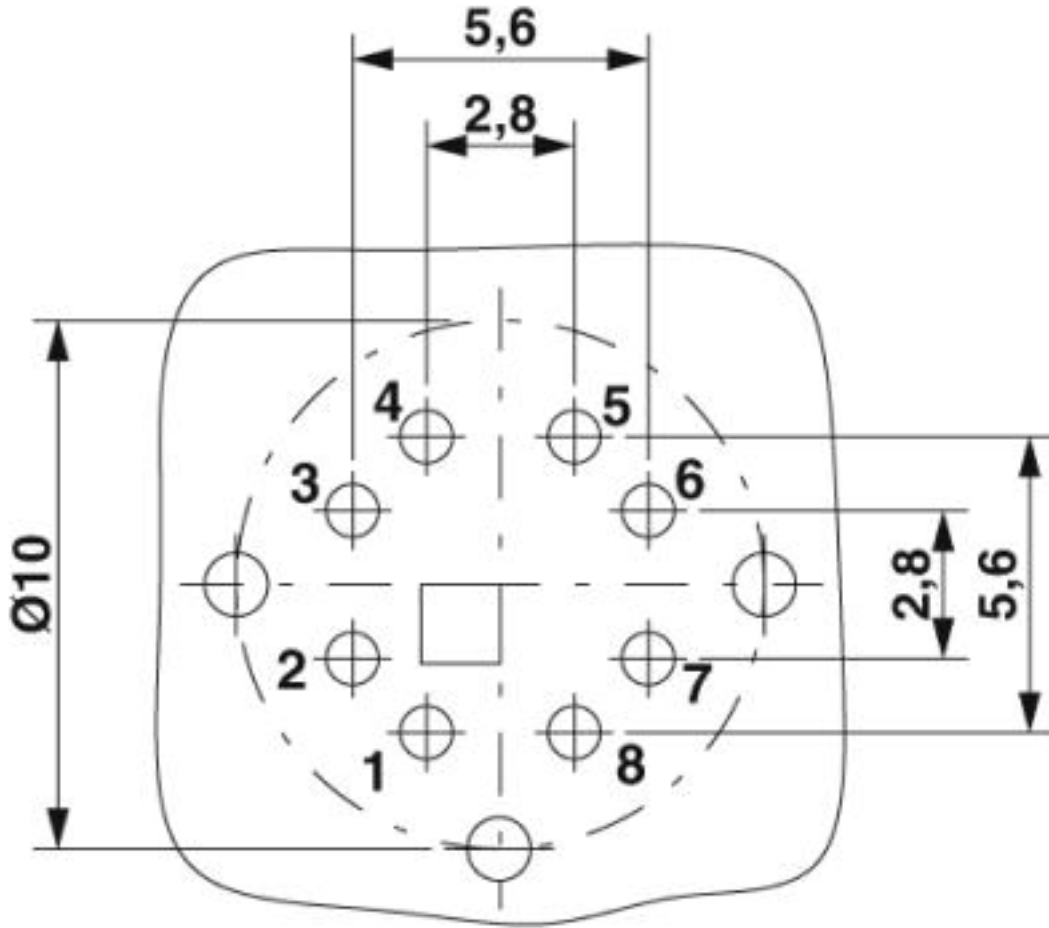
Environmental Product Compliance

	Lead 7439-92-1
China RoHS	Environmentally Friendly Use Period = 50
	For details about hazardous substances go to tab "Downloads", Category "Manufacturer's declaration"

Drawings

Flush-type socket - SACC-CI-M12FSX-8CON-L180 TOR32 - 1413446

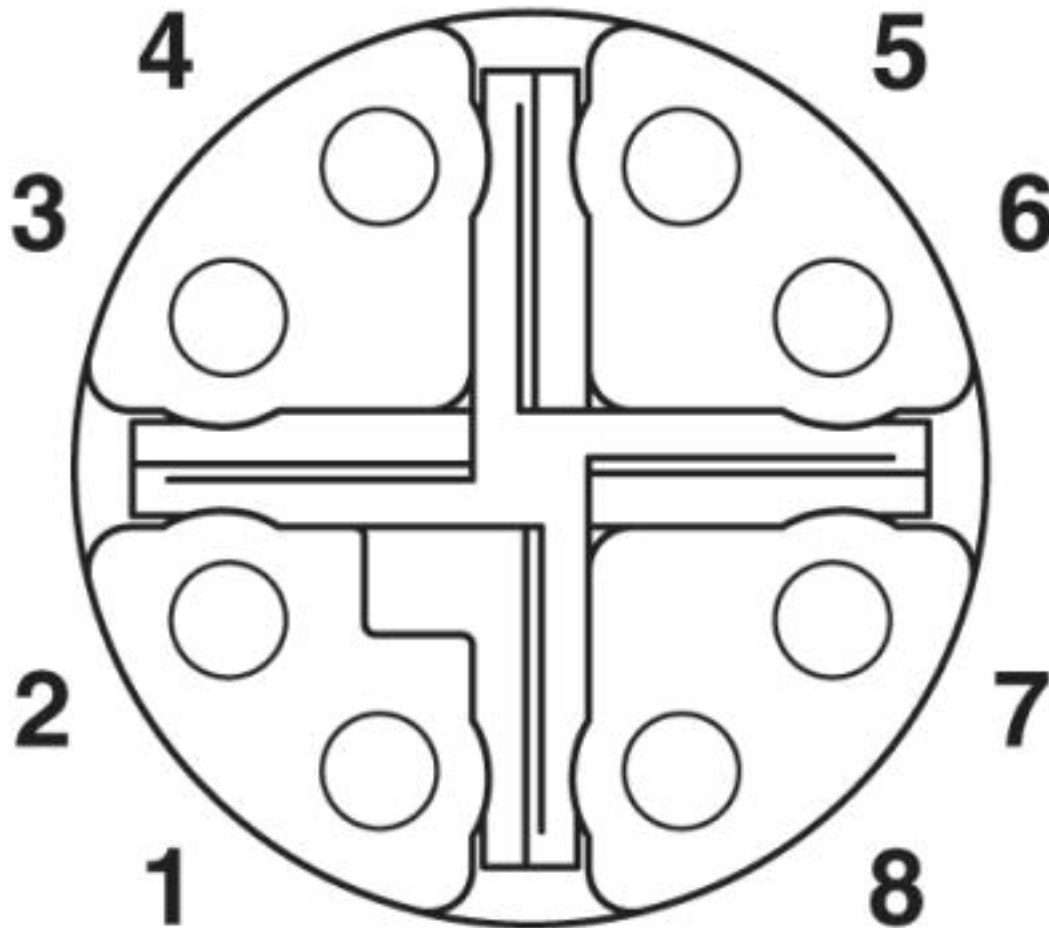
Drilling diagram



Soldering pad geometry

Flush-type socket - SACC-CI-M12FSX-8CON-L180 TOR32 - 1413446

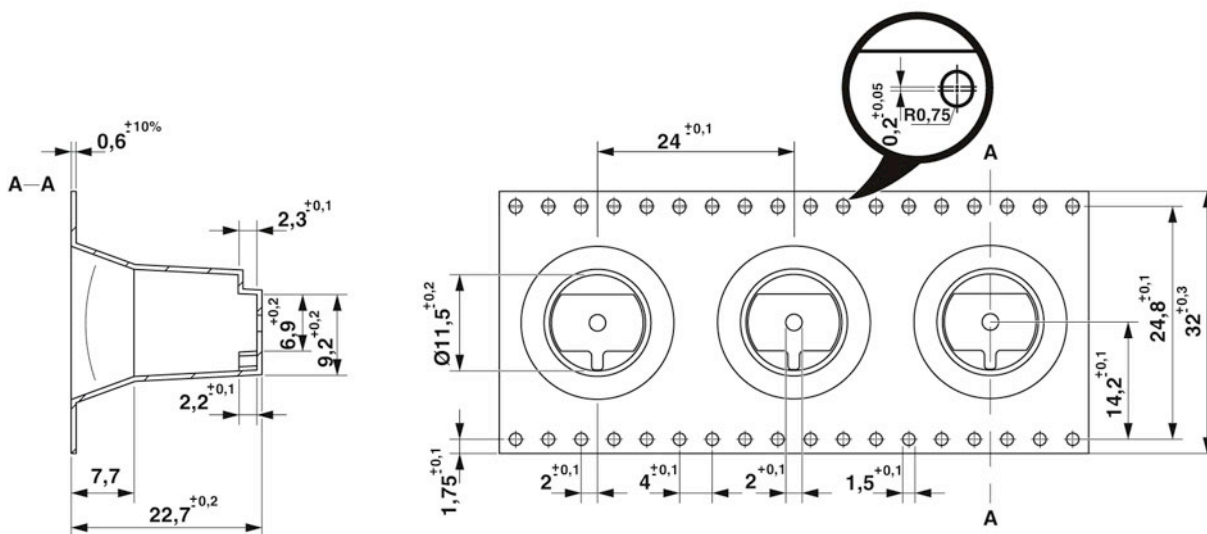
Schematic diagram



Pin assignment M12 connector, 8-pos., view socket side

Flush-type socket - SACC-CI-M12FSX-8CON-L180 TOR32 - 1413446

Dimensional drawing



Dimensions belt

Approvals

Approvals

Approvals

UL Recognized / cUL Recognized / cULus Recognized

Ex Approvals

Flush-type socket - SACC-CI-M12FSX-8CON-L180 TOR32 - 1413446

Approvals

Approval details

UL Recognized		http://database.ul.com/cgi-bin/XYV/template/LISEXT/1FRAME/index.htm E335024-20120308
Nominal voltage UN		60 V
Nominal current IN		0.5 A

cUL Recognized		http://database.ul.com/cgi-bin/XYV/template/LISEXT/1FRAME/index.htm E335024-20120308
Nominal voltage UN		60 V
Nominal current IN		0.5 A

cULus Recognized		
------------------	--	--

Phoenix Contact 2019 © - all rights reserved
<http://www.phoenixcontact.com>

PHOENIX CONTACT GmbH & Co. KG
Flachsmarktstr. 8
32825 Blomberg
Germany
Tel. +49 5235 300
Fax +49 5235 3 41200
<http://www.phoenixcontact.com>