

Y distributor - SAC-8PY-MY/M-FD SH - 1410630

Please be informed that the data shown in this PDF Document is generated from our Online Catalog. Please find the complete data in the user's documentation. Our General Terms of Use for Downloads are valid (<http://phoenixcontact.com/download>)




Y distributor, Ethernet hybrid CAT5 (100 Mbps), 8-position, shielded, Plug straight M12 SPEEDCON, Y-coded, on Socket straight M12 SPEEDCON, D-coded and Plug straight M12 SPEEDCON, A-coded, Power with Ethernet (PWE), Thread M12 plug A-coded and M12 socket not rotatable

Your advantages

- Safe use in the field, thanks to a high degree of protection
- Reliable signal transmission - 360° shielding in environments with electromagnetic interference
- Save time, thanks to installation with SPEEDCON fast locking system



Key Commercial Data

Packing unit	1 pc
GTIN	 4 046356 924719
GTIN	4046356924719

Technical data

Dimensions

Center distance	21 mm
-----------------	-------

Ambient conditions

Ambient temperature (operation)	-25 °C ... 80 °C (Plug / socket)
---------------------------------	----------------------------------

General

Rated current at 40°C	4 A (Power)
	0.5 A (Data)
Rated voltage	30 V AC (Power and data)
	30 V DC (Power and data)
Number of positions	8
Color handle area	black
Insulation resistance	≥ 100 MΩ
Coding	Y - hybrid

Y distributor - SAC-8PY-MY/M-FD SH - 1410630

Technical data

General

Standards/regulations	M12 connector IEC 61076-2-101
Signal type/category	Ethernet hybrid CAT5 (IEC 11801), 100 Mbps
Status display	No
Overvoltage category	III
Degree of pollution	3
Insertion/withdrawal cycles	≥ 100
Torque	0.4 Nm (M12 connector)

Material

Flammability rating according to UL 94	HB
Contact material	CuZn
Contact surface material	Ni/Au
Material of grip body	TPU, hardly inflammable, self-extinguishing
Material, knurls	Zinc die-cast, nickel-plated
Sealing material	NBR
Additional material specifications	PP (Contact carrier, Y-coded, data)
	PA 6.6 (Contact carrier, Y-coded, power)
	TPE-U (Contact carrier, A-coded)
	TPE-U (Contact carrier, D-coded)

Standards and Regulations

Standard designation	M12 connector
Standards/regulations	IEC 61076-2-101
Flammability rating according to UL 94	HB

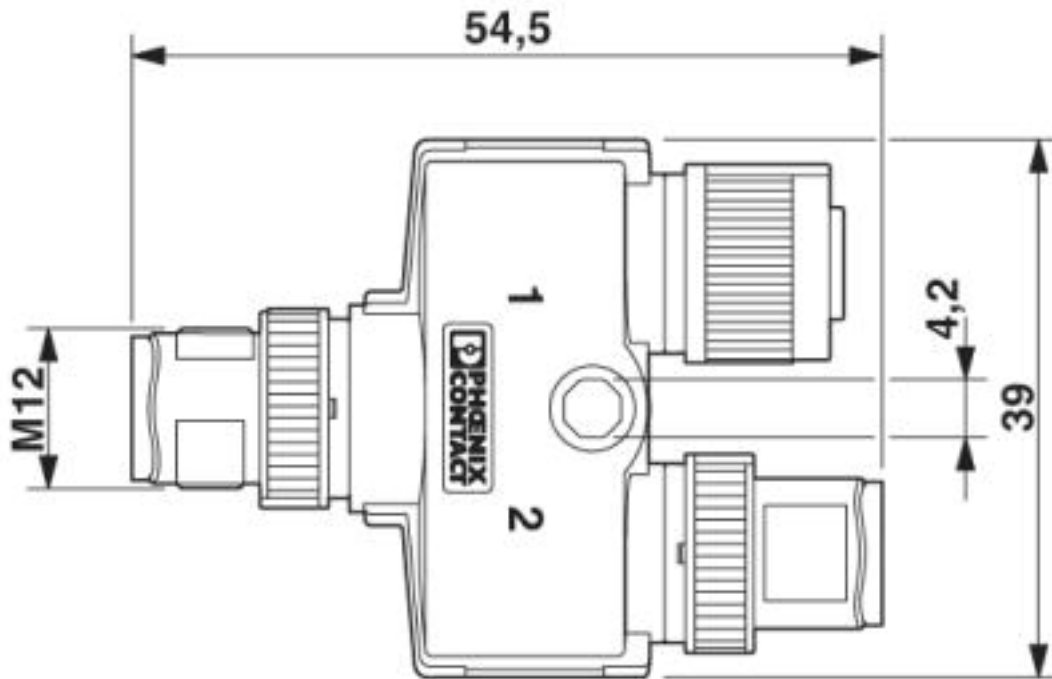
Environmental Product Compliance

REACH SVHC	Lead 7439-92-1
------------	----------------

Drawings

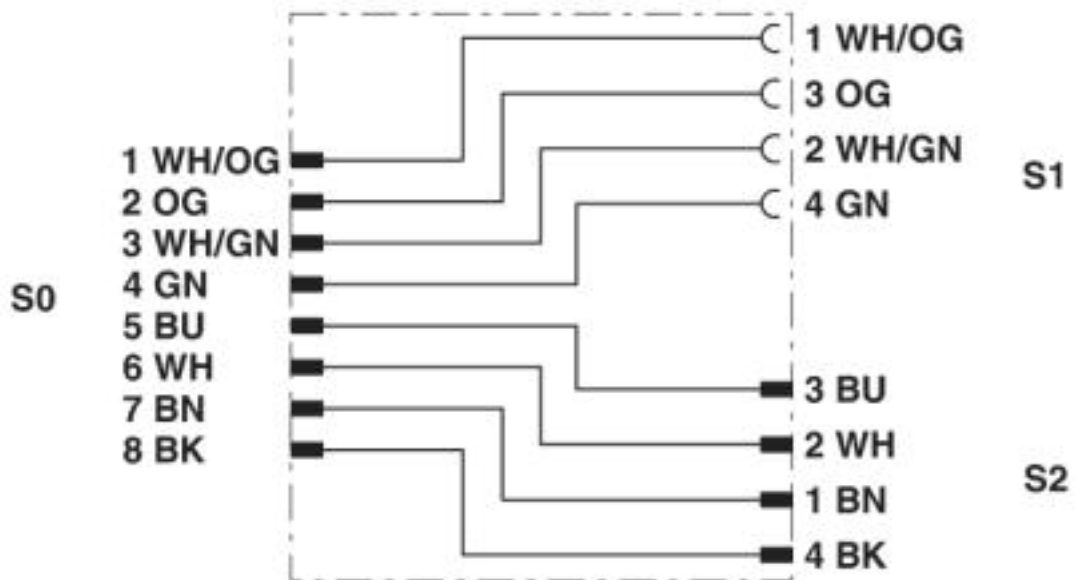
Y distributor - SAC-8PY-MY/M-FD SH - 1410630

Dimensional drawing



M12 Y distributor

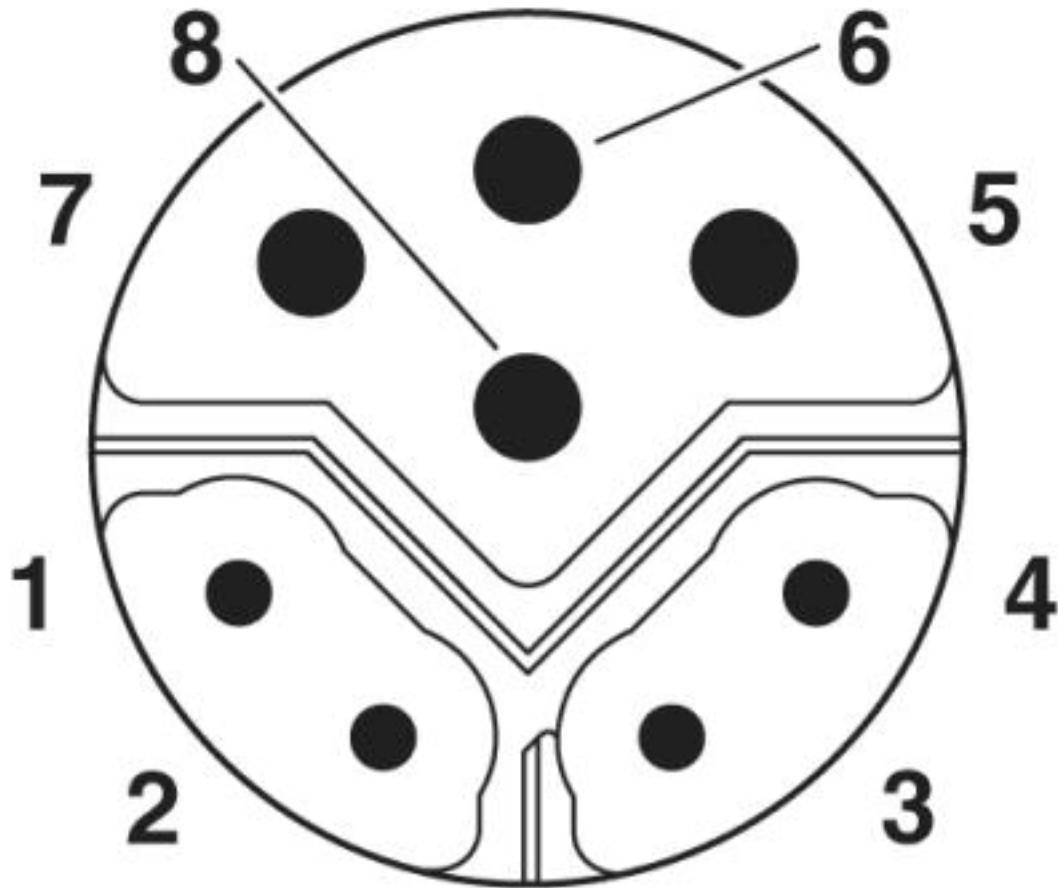
Circuit diagram



Contact assignment of the M12 Y distributor

Y distributor - SAC-8PY-MY/M-FD SH - 1410630

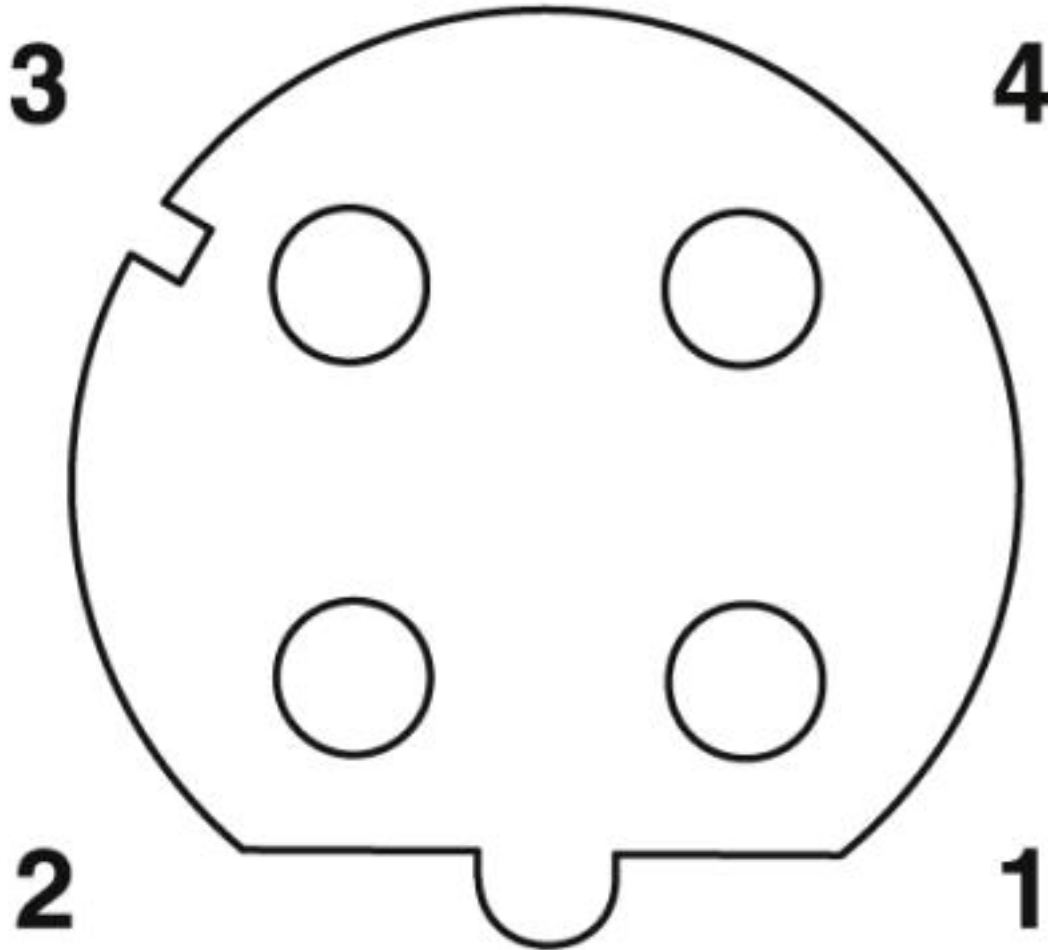
Schematic diagram



M12 hybrid plug pin assignment, 8-pos., Y-coded, pin side view

Y distributor - SAC-8PY-MY/M-FD SH - 1410630

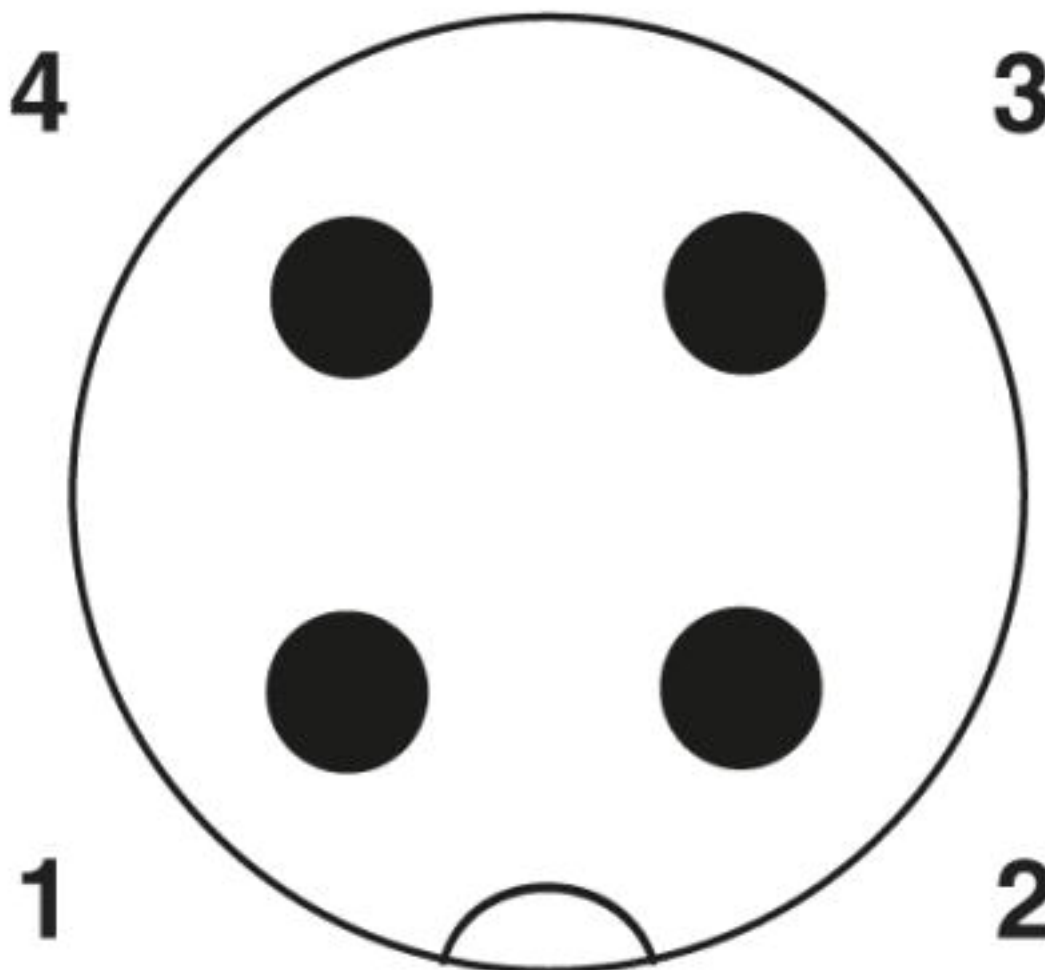
Schematic diagram



Pin assignment M12 socket, 4-pos., D-coded, female side

Y distributor - SAC-8PY-MY/M-FD SH - 1410630

Schematic diagram



Pin assignment M12 plug, 4-pos., A-coded, view plug side

Phoenix Contact 2019 © - all rights reserved
<http://www.phoenixcontact.com>

PHOENIX CONTACT GmbH & Co. KG
Flachsmarktstr. 8
32825 Blomberg
Germany
Tel. +49 5235 300
Fax +49 5235 3 41200
<http://www.phoenixcontact.com>