

## Seal - VS-ASI-FC-SEAL-HP - 1400374


Please be informed that the data shown in this PDF Document is generated from our Online Catalog. Please find the complete data in the user's documentation. Our General Terms of Use for Downloads are valid (<http://phoenixcontact.com/download>)



End sealing for AS-Interface flat-ribbon conductor, can be used on both sides, IP67 degree of protection:



### Key Commercial Data

Packing unit	10 pc
GTIN	 4 046356 495080
GTIN	4046356495080

### Technical data

#### Dimensions

Length	36 mm
--------	-------

#### General

Torque	2 Nm
--------	------

#### Material

Sealing material	NBR
Additional material specifications	PA

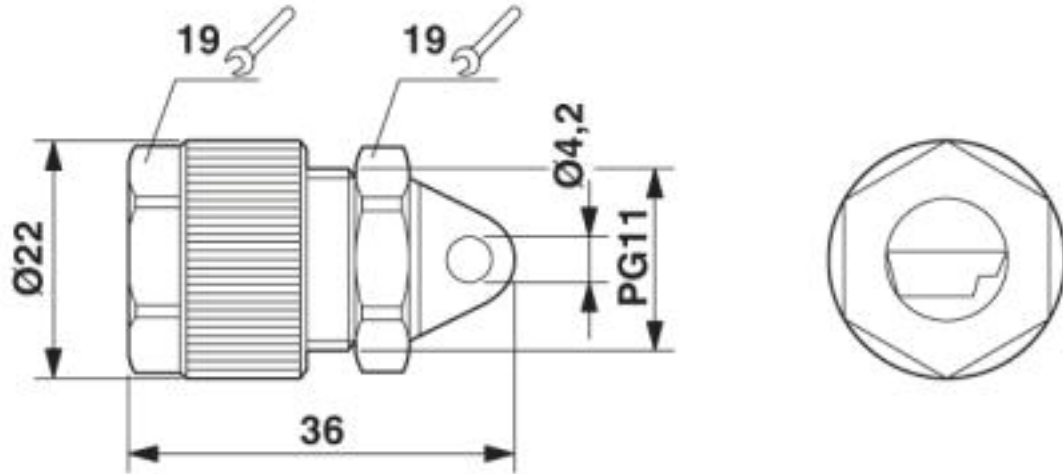
#### Environmental Product Compliance

China RoHS	Environmentally friendly use period: unlimited = EFUP-e
	No hazardous substances above threshold values

### Drawings

## Seal - VS-ASI-FC-SEAL-HP - 1400374

Dimensional drawing



Phoenix Contact 2019 © - all rights reserved  
<http://www.phoenixcontact.com>

PHOENIX CONTACT GmbH & Co. KG  
Flachsmarktstr. 8  
32825 Blomberg  
Germany  
Tel. +49 5235 300  
Fax +49 5235 3 41200  
<http://www.phoenixcontact.com>