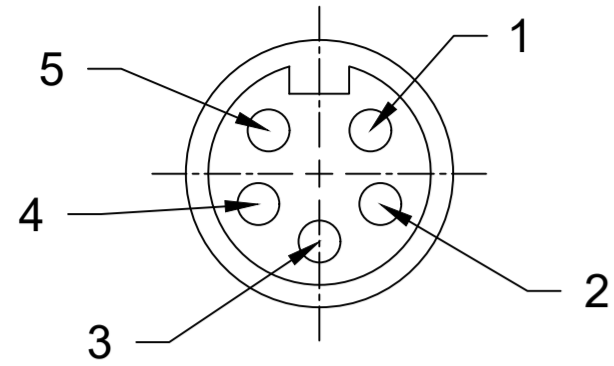


FACE VIEW-FEMALE INSERT



- 1 DRAIN
- 2 RED
- 3 BLACK
- 4 WHITE
- 5 BLUE

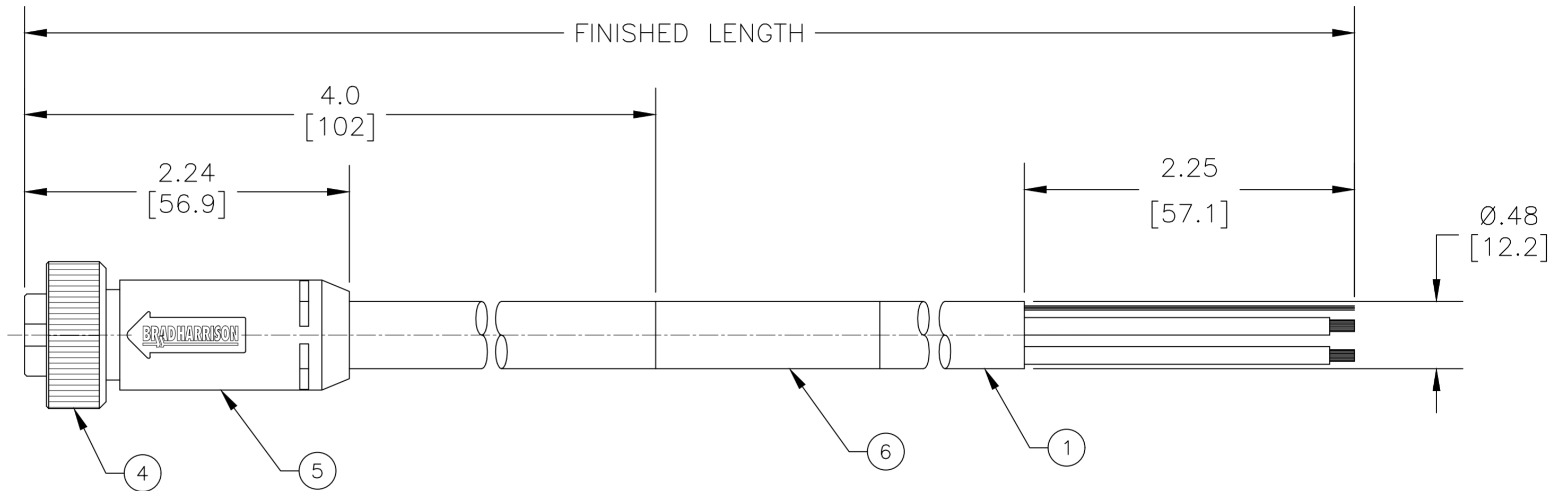
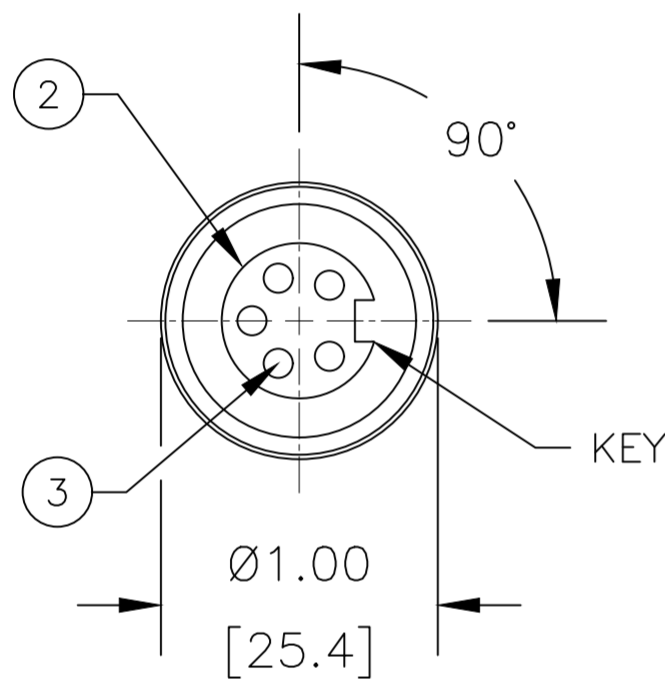
PART NUMBER LEGEND

DN10SS8-M010

FINISHED LENGTH:  
 M005= 0.5 METER  
 M010= 1.0 METER  
 M100= 10.0 METERS

CABLE LENGTH TOLERANCES

>.3M [1FT]:	+19mm-0 [+0.75in-0]
.3 - .9M [1 - 3FT]:	+44.5mm-0 [+1.75in-0]
.9 - 1.8M [3 - 6FT]:	+55.6mm-0 [+2.19in-0]
1.8 - 3.7M [6 - 12FT]:	+88.9mm-0 [+3.50in-0]
3.7 - 7.3M [12 - 24FT]:	+165.1mm-0 [+6.50in-0]
7.3-14.6M [24 - 48FT]:	+317.5mm-0 [+12.50in-0]
14.6 - 30.5M [48-100FT]:	+622.3mm-0 [+24.50in-0]
OVER 30M [100FT]:	+2% OF FINISHED LENGTH



- NOTES:
1. MATERIAL: AS NOTED
  2. FINISH: AS NOTED
  3. ELECTRICAL:  
 VOLTAGE: 300V PER IEC 60664  
 300V PER UL 2238  
 CURRENT: 8A
  4. TEMP RATING: -20°C TO +60°C
  5. PROTECTION: IP67 (WHEN MATED)
  6. COUPLING THREAD: 7/8-16 UN
  7. UL RECOGNIZED FILE: E152210  
 CSA CERTIFIED FILE: LR6837
  8. ALL DIMS ARE FOR REFERENCE UNLESS TOLERANCED OR NOTED OTHERWISE

PART NO.	ENGINEERING NO.	FINISHED LENGTH
1300240111	DN10SS8-M010	1.0M [3 FT 3.4 IN]
1300240113	DN10SS8-M040	4.0M [13 FT 1.4 IN]
1300240116	DN10SS8-M100	10.0M [32 FT 10.0 IN]

ITEM	DESCRIPTION	MATERIAL	FINISH
6	WRAP LABEL	VINYL	BLACK/YELLOW
5	OVERMOLD	TPE	GRAY
4	COUPLING NUT, INT. THD	ST. STEEL	PASSIVATED
3	CONTACT SOCKET	COPPER ALLOY	GOLD PLATED
2	FEMALE INSERT	TPE	GRAY
1	CABLE, 18/2 15/2 DEV-NET	PVC JACKET	GRAY

FUNCTIONAL SYMBOLS FA=0 EC=0 EP=0 DIVISIONAL SYMBOLS	THIS DRAWING CONTAINS INFORMATION THAT IS PROPRIETARY TO MOLEX ELECTRONIC TECHNOLOGIES, LLC AND SHOULD NOT BE USED WITHOUT WRITTEN PERMISSION		CURRENT REV DESC: INITIAL RELEASE	
	DIMENSION UNITS	SCALE	EC NO: 638980	
	INCH/MM	1:1	DRWN: RSTONE	2020/06/03
	GENERAL TOLERANCES (UNLESS SPECIFIED)		CHK'D: CCHRSTKA	2020/06/04
4 PLACES ±----		APPR: BWOODMAN	2020/06/04	
3 PLACES ±----		INITIAL REVISION:		
2 PLACES ±----		DRWN: RSTONE	2020/06/03	
1 PLACE ±----		APPR: BWOODMAN	2020/06/04	
0 PLACES ±----		ANGULAR TOL ± ---- °		
DRAFT WHERE APPLICABLE MUST REMAIN WITHIN DIMENSIONS		THIRD ANGLE PROJECTION	DRAWING	
		C-SIZE	SERIES	
			130024	
DOCUMENT STATUS		P1	RELEASE DATE	
2020/06/04		22:07:44		
DOCUMENT NUMBER		1300240112	DOC TYPE/DOC PART	
PSD 000		A	REVISION	
MATERIAL NUMBER		GENERAL MARKET	SHEET NUMBER	
			1 OF 1	