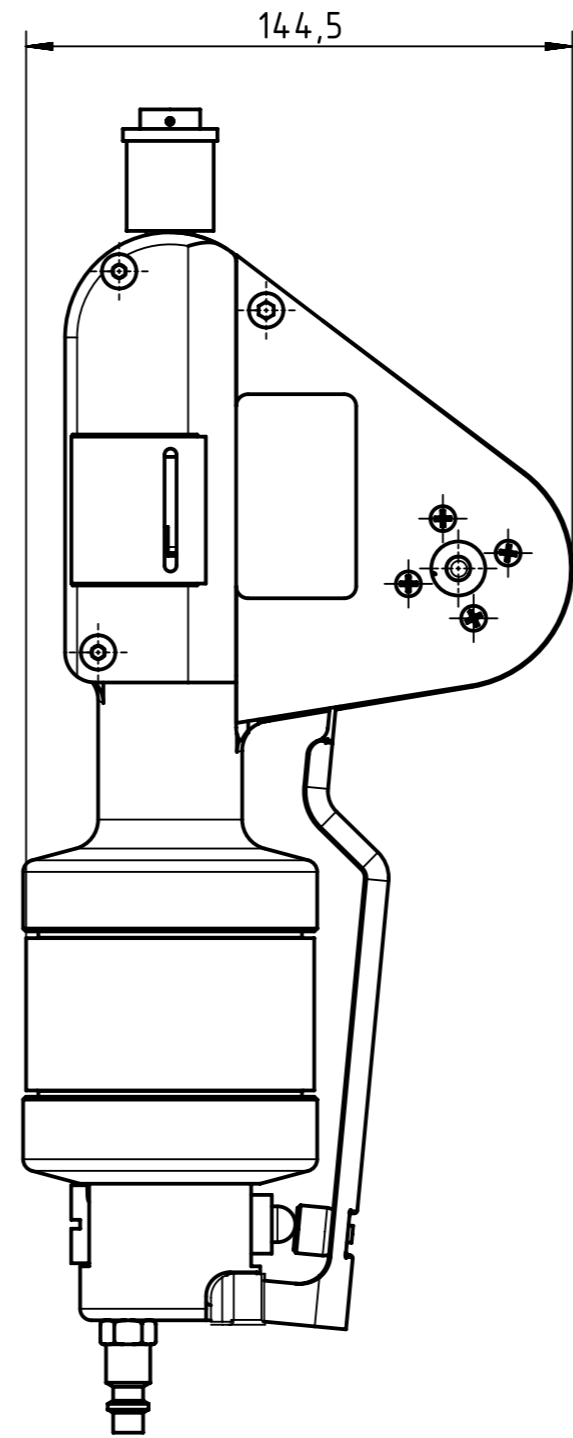
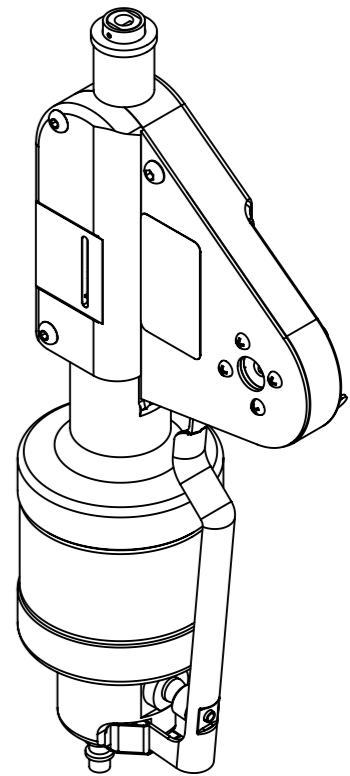


09 99 000 0308
Locator Han C



09 99 000 0308
Locator Han C



Han C		
mm ²	AWG	Crimping depth
1,50	16	1,80
2,50	14	1,60
4,00	12	2,00
6,00	10	2,40
10,00	8	2,80

Pneumatic tube & Instruction manual
enclosed separately

	All rights reserved	Created by SPREENB	Inspected by SUNDERMEIER	Standardisation RUETERA	Date 2018-05-07	State Final Release	Ref.
	Department EL PD	Title Pneumatic Crimping Tool Set Han C				Doc-Key / ECM-Nr. 100779403/UGD/001/A 500000134792	
HARTING Electric GmbH & Co. KG D-32339 Espelkamp		Type TB	Number 09 99 000 0307		Rev. A	Page 1/1	Sub.