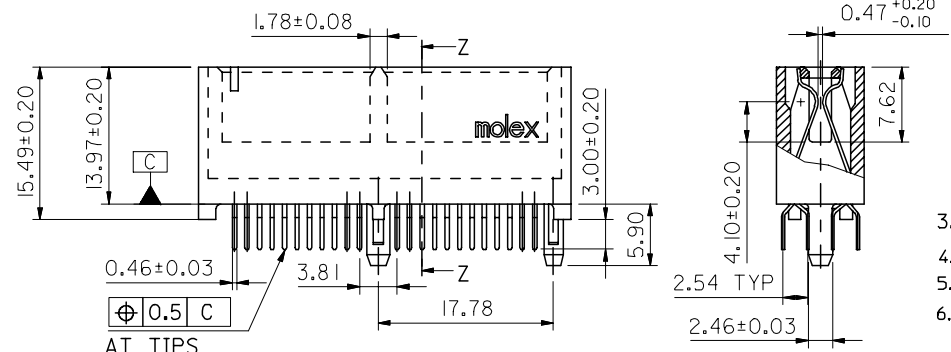
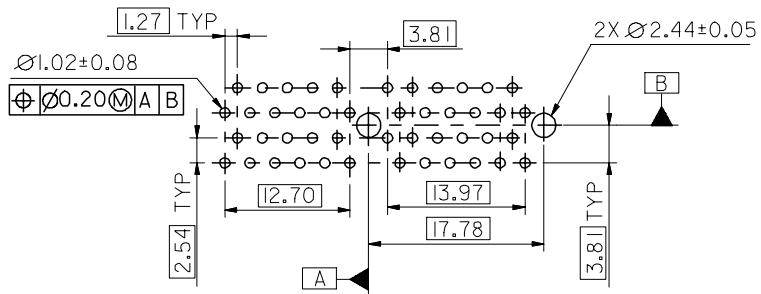


SLOT TO INDICATE CKT #1



AT TIPS

SECTION Z-Z



RECOMMENDED CONNECTOR MOUNTING HOLE PATTERN

NOTES:

1. MATERIAL:

HOUSING : PPS, COLOR: BROWN
 TERMINAL: PHOSPHOR BRONZE

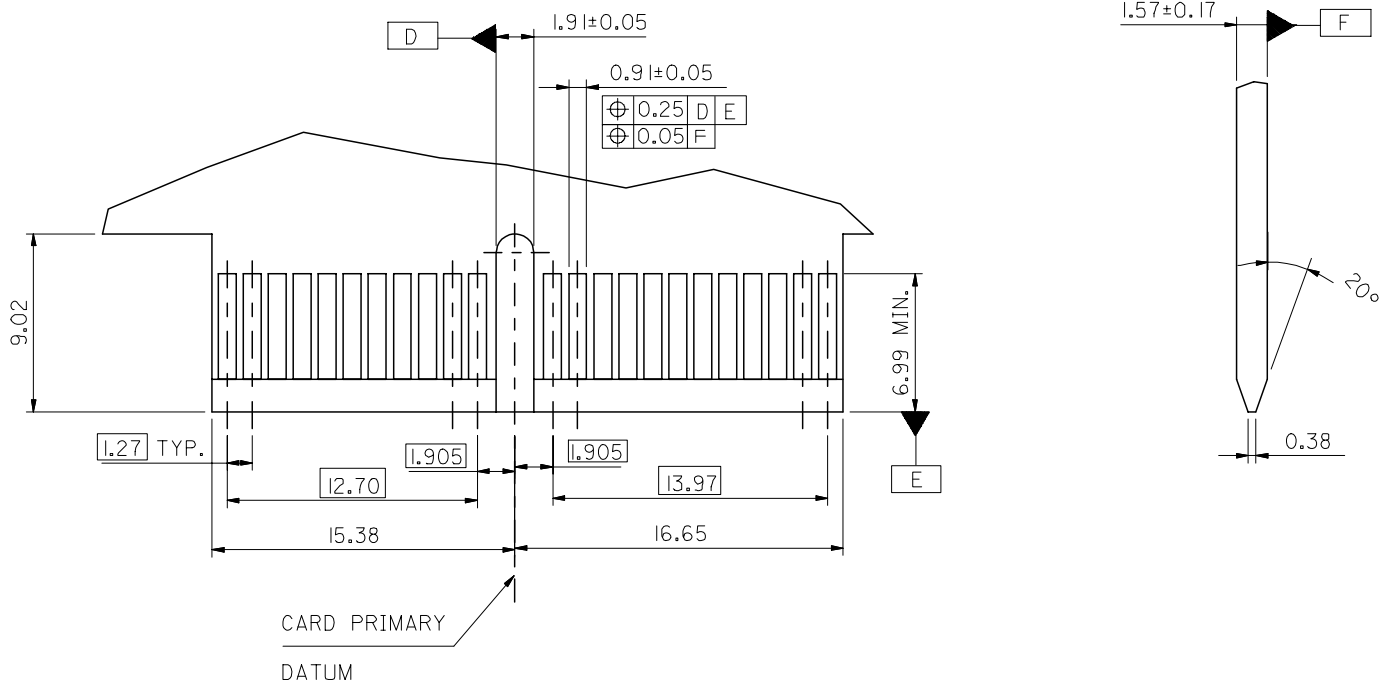
2. FINISH 0 - GOLD FLASH IN CONTACT AREA, 1.52um/60uin MIN. TIN IN SOLDER TAIL, BOTH OVER 0.76um/30uin MIN. NICKEL OVERALL.
 1 - 0.25um/10uin MIN. GOLD IN CONTACT AREA, 1.52um/60uin MIN. TIN IN SOLDER TAIL, BOTH OVER 0.76um/30uin MIN. NICKEL OVERALL.
 2 - 0.76um/30uin MIN. GOLD IN CONTACT AREA, 1.52um/60uin MIN. TIN IN SOLDER TAIL, BOTH OVER 0.76um/30uin MIN. NICKEL OVERALL.

3. PRODUCT SPECIFICATION : PER TO PS-48200-002
 4. TEST SUMMARY : PER TS-48200-002
 5. PACKAGE SPECIFICATION : PER PK-48200-002
 6. LEAD FREE AND ROHS COMPLIANCE PRODUCT

PART NO. LEGEND : 48200 - 23 * *

PEG VERSION	PLATING VERSION
0 : PLASTIC PEG	0
	1
	2

EWR 2006-0035 EC NO: SH2006-0520 DRWN: ALLIN CHKD: APPR: WWSCHANG	2006/06/26 2006/06/27 2006/06/30	QUALITY SYMBOLS	GENERAL TOLERANCES (UNLESS SPECIFIED)	DIMENSION STYLE	SCALE	DESIGN UNITS	THIRD ANGLE PROJECTION	
		▽=0	mm INCH	MM ONLY	1:1	METRIC		
		∇=0	4 PLACES ± --- ± ---	DRAWN BY DATE	TITLE			
			3 PLACES ± --- ± ---	TOM 2005/02/04	ASS'Y 1.27MM EDGE CARD CONNECTOR (46 CKTS) (LEAD-FREE VERSION)			
	2 PLACES ± 0.25 ± ---	CHECKED BY DATE	MOLEX INCORPORATED					
	1 PLACE ± 0.25 ± ---	ALL IN 2005/02/04	MATERIAL NO. DOCUMENT NO. SHEET NO.					
	ANGULAR ± 3 °	APPROVED BY DATE	SD-48200-002 1 OF 2					
		WWSCHANG 2005/02/04	SEE TABLE					
			DRAFT WHERE APPLICABLE MUST REMAIN WITHIN DIMENSIONS					
			SIZE A3 THIS DRAWING CONTAINS INFORMATION THAT IS PROPRIETARY TO MOLEX INCORPORATED AND SHOULD NOT BE USED WITHOUT WRITTEN PERMISSION					



RECOMMENDED MATING P.C.BOARD EDGE CONFIGURATION

SEE SHEET 1 EC NO: SH2006-0520 DRWN: ALLIN CHKD: APPR: WWSCHANG	2006/06/26 2006/06/27 2006/06/30	DESCRIPTION QUALITY SYMBOLS ▽=0 ◻=0	GENERAL TOLERANCES (UNLESS SPECIFIED)		DIMENSION STYLE MM ONLY		SCALE 1:1	DESIGN UNITS METRIC	THIRD ANGLE PROJECTION																		
			<table border="1"> <thead> <tr> <th></th> <th>mm</th> <th>INCH</th> </tr> </thead> <tbody> <tr> <td>4 PLACES</td> <td>± ---</td> <td>± ---</td> </tr> <tr> <td>3 PLACES</td> <td>± ---</td> <td>± ---</td> </tr> <tr> <td>2 PLACES</td> <td>± 0.25</td> <td>± ---</td> </tr> <tr> <td>1 PLACE</td> <td>± 0.25</td> <td>± ---</td> </tr> </tbody> </table>			mm	INCH	4 PLACES	± ---	± ---	3 PLACES	± ---	± ---	2 PLACES	± 0.25	± ---	1 PLACE	± 0.25	± ---	DRAWN BY TOM		DATE 2005/02/04		TITLE ASS'Y 1.27MM EDGE CARD CONNECTOR (46 CKTS) (LEAD-FREE VERSION)			
		mm	INCH																								
	4 PLACES	± ---	± ---																								
3 PLACES	± ---	± ---																									
2 PLACES	± 0.25	± ---																									
1 PLACE	± 0.25	± ---																									
		DRAFT WHERE APPLICABLE MUST REMAIN WITHIN DIMENSIONS		CHECKED BY ALL IN		DATE 2005/02/04		MOLEX INCORPORATED																			
				APPROVED BY WWSCHANG		DATE 2005/02/04		DOCUMENT NO. SD-48200-002		SHEET NO. 2 OF 2																	