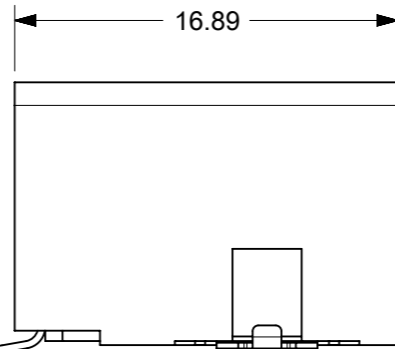
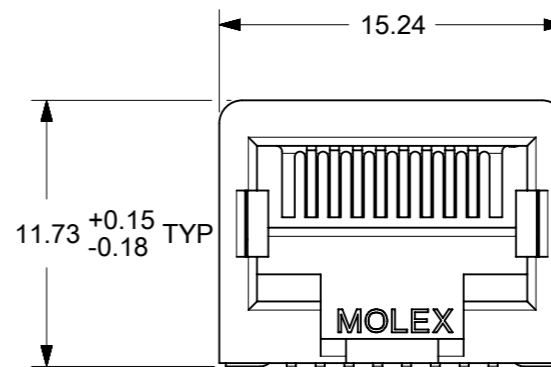


6 CIRCUIT ASSEMBLY

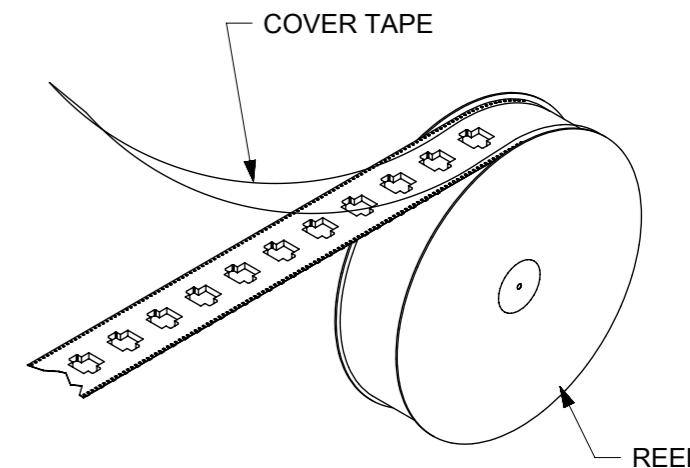
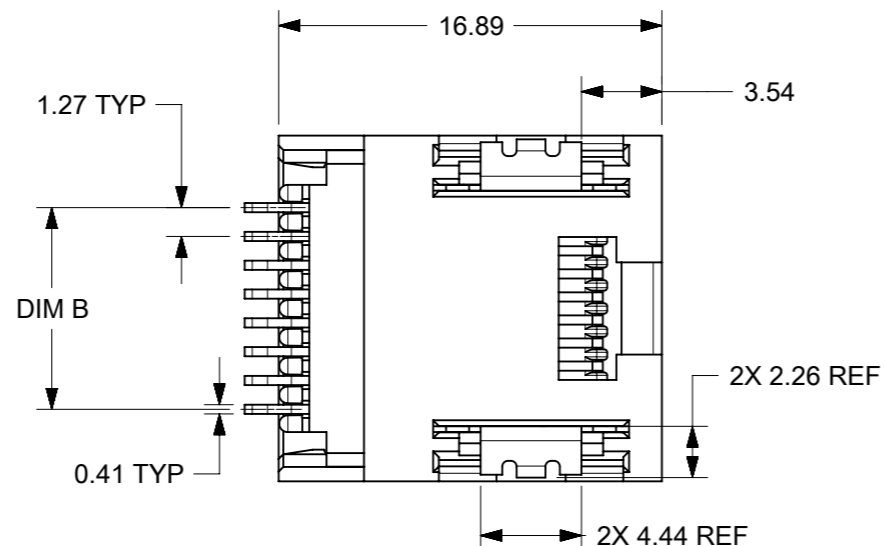


TERMINAL TAIL
SEE NOTE 4

FITTING NAIL
SEE NOTE 4



8 CIRCUIT ASSEMBLY



VACUUM FORMED CARRIER TAPE WITH SPROCKET HOLES

TAPE AND REEL PACKAGING

NOTES :

1) MATERIALS:

HOUSING: LCP, GLASS-FILLED, UL94V-0; COLOR BLACK.
INSULATOR: NYLON, GLASS-FILLED, UL94V-0; COLOR BLACK.
TERMINALS: PHOSPHOR BRONZE, 0.30 mm THICK
FITTING NAILS: BRASS ALLOY, 0.25 mm THICK

2) FINISH:

TERMINALS:

- (A) SELECT GOLD IN CONTACT AREA: 0.00127 mm MIN.,
*SELECT MATTE TIN IN PC TAIL AREA: 0.00254 mm MIN.,
WITH OVERALL NICKEL UNDERPLATE: 0.00127 mm MIN.
- (B) SELECT GOLD IN CONTACT AREA: 0.00076 mm MIN.,
*SELECT MATTE TIN IN PC TAIL AREA: 0.00254 mm MIN.,
WITH OVERALL NICKEL UNDERPLATE: 0.00127 mm MIN.
- (C) SELECT GOLD IN CONTACT AREA: 0.00038 mm MIN.,
*SELECT MATTE TIN IN PC TAIL AREA: 0.00254 mm MIN.,
WITH OVERALL NICKEL UNDERPLATE: 0.00127 mm MIN.

FITTING NAILS:

- *2.54 MICROMETER MATTE TIN OVER 1.27 MICROMETER NICKEL UNDERPLATE
- *THE PRIMARY SHIPPING CARTON WILL BE LABELED "ELV AND RoHS COMPLIANT" CARTONS WITHOUT THIS LABEL MAY CONTAIN PRODUCT WITH TIN-LEAD IN THE PC TAIL AND/OR FITTING NAILS.

3) PRODUCT SPECIFICATION: PS-43743-0001

4) COPLANARITY SPECIFICATION:

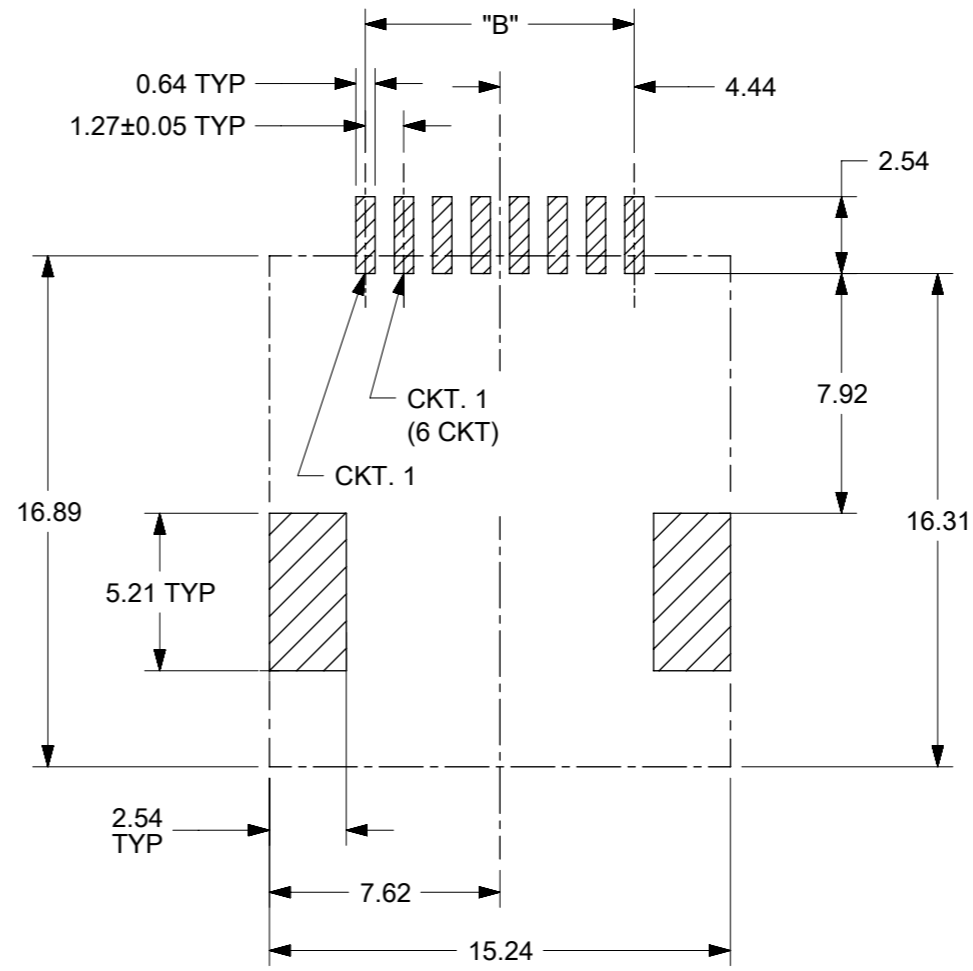
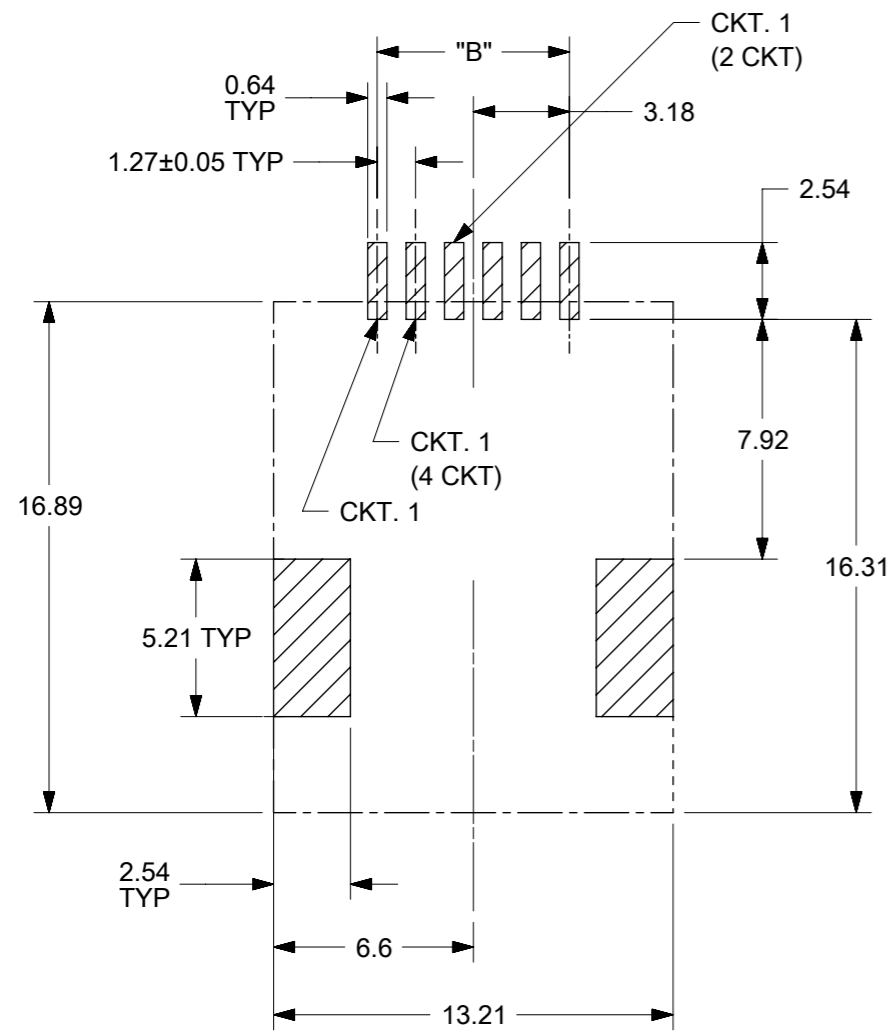
WITH THE MODULAR JACK SITTING ON A LEVEL SURFACE, THE MAXIMUM GAP BETWEEN THE LEVEL SURFACE AND ALL TERMINAL TAILS AND BOTH FITTING NAILS IS 0.15 mm.

5) CONVECTION SOLDERING TECHNOLOGY SHOULD BE USED WHEN GANGING MODULAR JACKS WITH INBOARD NAILS SIDE-BY-SIDE.

6) THIS PART CONFORMS TO CLASS B REQUIREMENTS OF COSMETIC SPECIFICATION PS-45499-002.

HOUSING SIZE	CIRCUIT SIZE	DIM. B
6	6	6.35
6	4	3.81
6	2	1.27
8	8	8.89
8	6	6.35

SYMBOLS		THIS DRAWING CONTAINS INFORMATION THAT IS PROPRIETARY TO MOLEX ELECTRONIC TECHNOLOGIES, LLC AND SHOULD NOT BE USED WITHOUT WRITTEN PERMISSION		CURRENT REV DESC: INITIAL RELEASE		molex	
▽ = 0	mm	SCALE	NTS	EC NO: 175942			
▽ = 0	GENERAL TOLERANCES (UNLESS SPECIFIED)		DRWN: AFENG02		2018/04/06	4, 6, 8 CIRCUIT SMT LCP	
▽ = 0	ANGULAR TOL ± 0.5°		CHK'D: KLANG		2018/05/10	MODULAR JACK W/ FLUSH FITTING NAILS	
▽ = 0	4 PLACES	±	APPR: KLANG		2018/05/10	PRODUCT CUSTOMER DRAWING	
▽ = 0	3 PLACES	±	INITIAL REVISION:		DOCUMENT NUMBER		DOC TYPE
▽ = 0	2 PLACES	± 0.25	DRWN: AFENG02		2018/04/06	441440103	DOC PART
▽ = 0	1 PLACE	± 0.38	APPR: KLANG		2018/05/10		REVISION
▽ = 0	0 PLACES	±	DRAFT WHERE APPLICABLE MUST REMAIN WITHIN DIMENSIONS		THIRD ANGLE PROJECTION	MATERIAL NUMBER	CUSTOMER
▽ = 0	DRAWING		A3-SIZE	SERIES	44144	SEE CHART	GENERAL MARKET
DOCUMENT STATUS		P1	RELEASE DATE	2018/05/10	01:56:11	SHEET NUMBER	
						1 OF 2	



PCB LAYOUT FOR CONNECTOR SIZE 6
(COMPONENT SIDE OF BOARD)

PCB LAYOUT FOR CONNECTOR SIZE 8
(COMPONENT SIDE OF BOARD)

HOUSING SIZE	CIRCUIT SIZE	DIM. B
6	6	6.35
6	4	3.81
6	2	1.27
8	8	8.89
8	6	6.35

ASSEMBLY ITEM NO.	CONNECTOR SIZE	CIRCUIT SIZE	TERMINAL PLATING	TAPE & REEL PACKAGING No.
44144-0103	8	8	A	PK-70873-7012
44144-0104	6	4	A	PK-70873-7011
44144-0105	6	6	A	PK-70873-7011
44144-0113	8	8	C	PK-70873-7012
44144-0114	6	4	C	PK-70873-7011

SYMBOLS		THIS DRAWING CONTAINS INFORMATION THAT IS PROPRIETARY TO MOLEX ELECTRONIC TECHNOLOGIES, LLC AND SHOULD NOT BE USED WITHOUT WRITTEN PERMISSION		CURRENT REV DESC: INITIAL RELEASE			
DIMENSION UNITS		SCALE		EC NO: 175942			
mm		NTS		DRWN: AFENG02 2018/04/06		4, 6, 8 CIRCUIT SMT LCP MODULAR JACK W/ FLUSH FITTING NAILS	
GENERAL TOLERANCES (UNLESS SPECIFIED)		ANGULAR TOL ± 0.5°		CHK'D: KLANG 2018/05/10			
▽ = 0		4 PLACES ±		APPR: KLANG 2018/05/10		PRODUCT CUSTOMER DRAWING	
▽ = 0		3 PLACES ±		INITIAL REVISION:			
▽ = 0		2 PLACES ± 0.25		DRWN: AFENG02 2018/04/06		DOCUMENT NUMBER	
▽ = 0		1 PLACE ± 0.38		APPR: KLANG 2018/05/10		441440103	
▽ = 0		0 PLACES ±		DRAFT WHERE APPLICABLE MUST REMAIN WITHIN DIMENSIONS		DOC TYPE DOC PART REVISION	
THIRD ANGLE PROJECTION		DRAWING		SERIES		MATERIAL NUMBER	
A3-SIZE		44144		SEE CHART		GENERAL MARKET	
SHEET NUMBER		2 OF 2					