



## Main

Accessory / separate part category	Cabling accessory
Accessory / Separate Part Type	Jumper cable

## Complementary

Jumper cable end 1	M8 male 3 pins straight screw-on and clip-on
Jumper cable end 2	M12 female 5 pins elbowed screw-on
Collar material	Metal
Cable composition	3 x 0.34 mm <sup>2</sup>
Cable length	3.28 ft (1 m)
Wire insulation material	PUR
Cable outer diameter	0.20 in (5.2 mm)
[Ue] rated operational voltage	45 V DC 60 V AC
Line Rated Current	4 A
Insulation resistance	>= 1000 MOhm
Maximum resistance across terminals	5000 mOhm
Net Weight	0.14 lb(US) (0.065 kg)

## Environment

IP Degree of Protection	IP65 IP67 IP69K
Product Certifications	cULus
Ambient air temperature for operation	-31...194 °F (-35...90 °C) static 23...194 °F (-5...90 °C) flexing
Ambient Air Temperature for Storage	-31...212 °F (-35...100 °C)

## Ordering and shipping details

Category	22483 - MACHINE CABLES
Discount Schedule	DS3
GTIN	3389110554571
Nbr. of units in pkg.	1
Package weight(Lbs)	1.62 oz (46 g)
Returnability	No
Country of origin	CZ

## Packing Units

Unit Type of Package 1	PCE
Package 1 Height	0.59 in (1.5 cm)
Package 1 width	7.87 in (20 cm)
Package 1 Length	7.87 in (20 cm)
Unit Type of Package 2	S02
Number of Units in Package 2	50
Package 2 Weight	5.87 lb(US) (2.664 kg)
Package 2 Height	5.91 in (15 cm)
Package 2 width	11.81 in (30 cm)
Package 2 Length	15.75 in (40 cm)

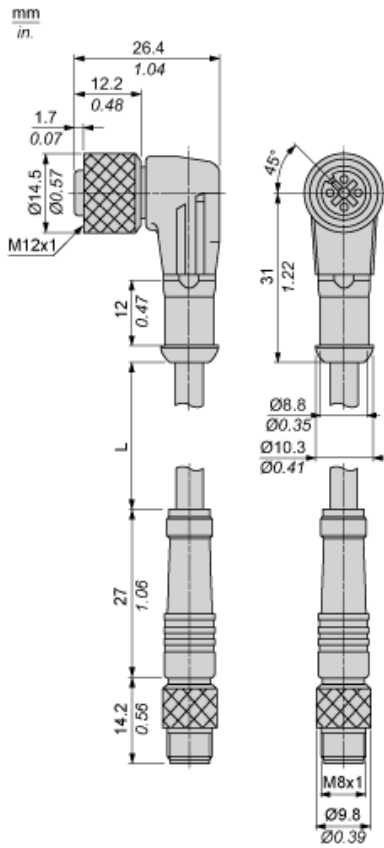
## Offer Sustainability

Sustainable offer status	Green Premium product
California proposition 65	WARNING: This product can expose you to chemicals including: Diisononyl phthalate (DINP), which is known to the State of California to cause cancer, and Di-isodecyl phthalate (DIDP), which is known to the State of California to cause birth defects or other reproductive harm. For more information go to <a href="http://www.P65Warnings.ca.gov">www.P65Warnings.ca.gov</a>
REACH Regulation	<a href="#">REACH Declaration</a>
EU RoHS Directive	Pro-active compliance (Product out of EU RoHS legal scope) <a href="#">EU RoHS Declaration</a>
Mercury free	Yes
RoHS exemption information	<a href="#">Yes</a>
Environmental Disclosure	<a href="#">Product Environmental Profile</a>
Circularity Profile	<a href="#">End Of Life Information</a>

## Contractual warranty

Warranty	18 months
----------	-----------

Dimensions



L : Length of cable

---

Connections and Schemes

---

