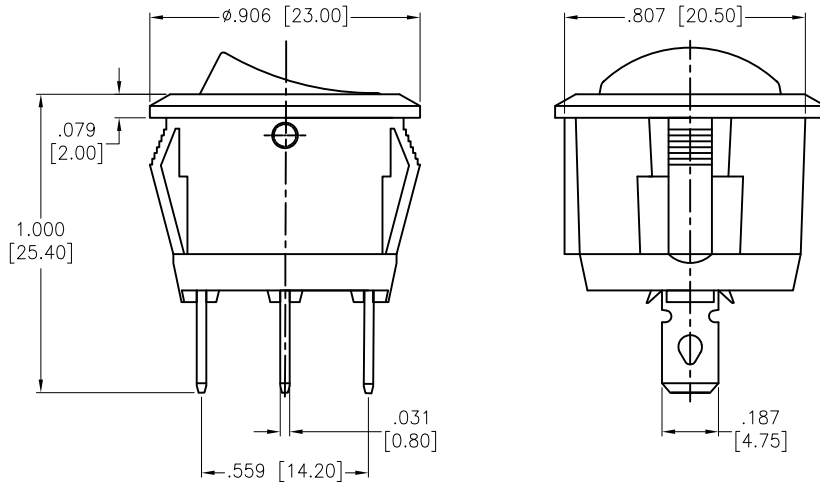
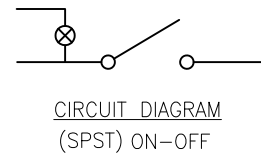
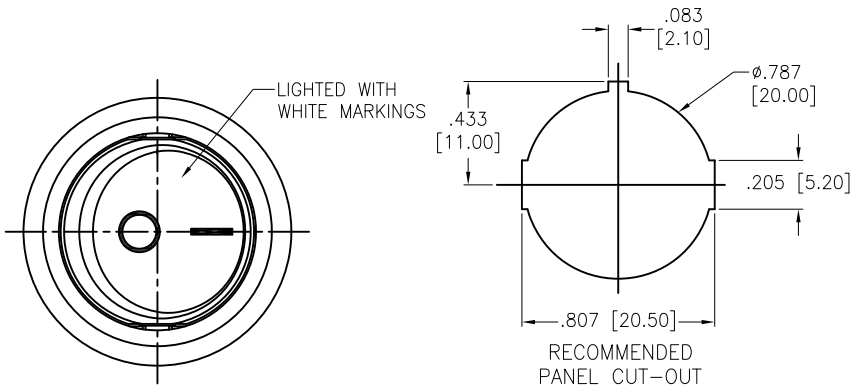


APPROVED: _____
 DATE: _____ TITLE: _____

Rev	AWO #	Description	Date	Appr
-		RELEASED	10/21/20	
A		UPDATE SPEC.	8/31/21	WX/RC



SW-R2-1A-F-LXX-5

	Lighted Actuator	Actuator Markings
W	Lighted White	1
R	Lighted Red	2
G	Lighted Green	3
Y	Lighted Yellow (Amber)	4
B	Lighted Blue	5
O	Lighted Orange	6

Replace "x" in P/N with the corresponding switch color and marking

SPECIFICATIONS:

Material:
 Body: Nylon 66, Color Black, Rated UL 94V-0
 Terminal: Brass, Silver plated
 Button: Nylon 66, Lighted color (See Chart). White color markings

Electrical:
 The rated load: 250V AC, 6A
 125V AC, 10A
 Contact resistance: 50 mohms max
 Insulation resistance: 100 Mohms min
 Dielectric withstanding voltage: 1500 VAC/5S min

Mechanical:
 Electrical life: 10000 Cycles min
 Temperature Rating:
 Operating temperature: -25°C to +85°C

Environmental:
 Lead free, RoHS compliant



UNLESS OTHERWISE SPECIFIED ALL DIMENSIONS ARE INCHES [MM] TOLERANCES: EXCEPT AS NOTED			
INCHES		HOLES	
.X	± .10	Ø.X	± .10
.XX	± .020	Ø.XX	± .015
.XXX	± .015	Ø.XXX	± .010
APPROVALS		DATE	
DRAWN	OW	10/21/20	
CHECKED	AC	10/21/20	
APPROVED			

ADAM TECH 909 Rahway Avenue,
 Union, NJ 07083
 Phone: 908-687-5000
 Fax: 908-687-5710

TITLE: SWITCH, MINIATURE ROCKER
 SPST, ON-OFF, QC .187 [4.75MM], LIGHTED

SIZE	PART NO.	REV.
X	SW-R2-1A-F-LXX-5	A

REF: - SCALE: NTS SHEET 1 OF 1

6

5

4

3

2

1

D

D

C

C

B

B

A

A

6

5

4

3

2

1