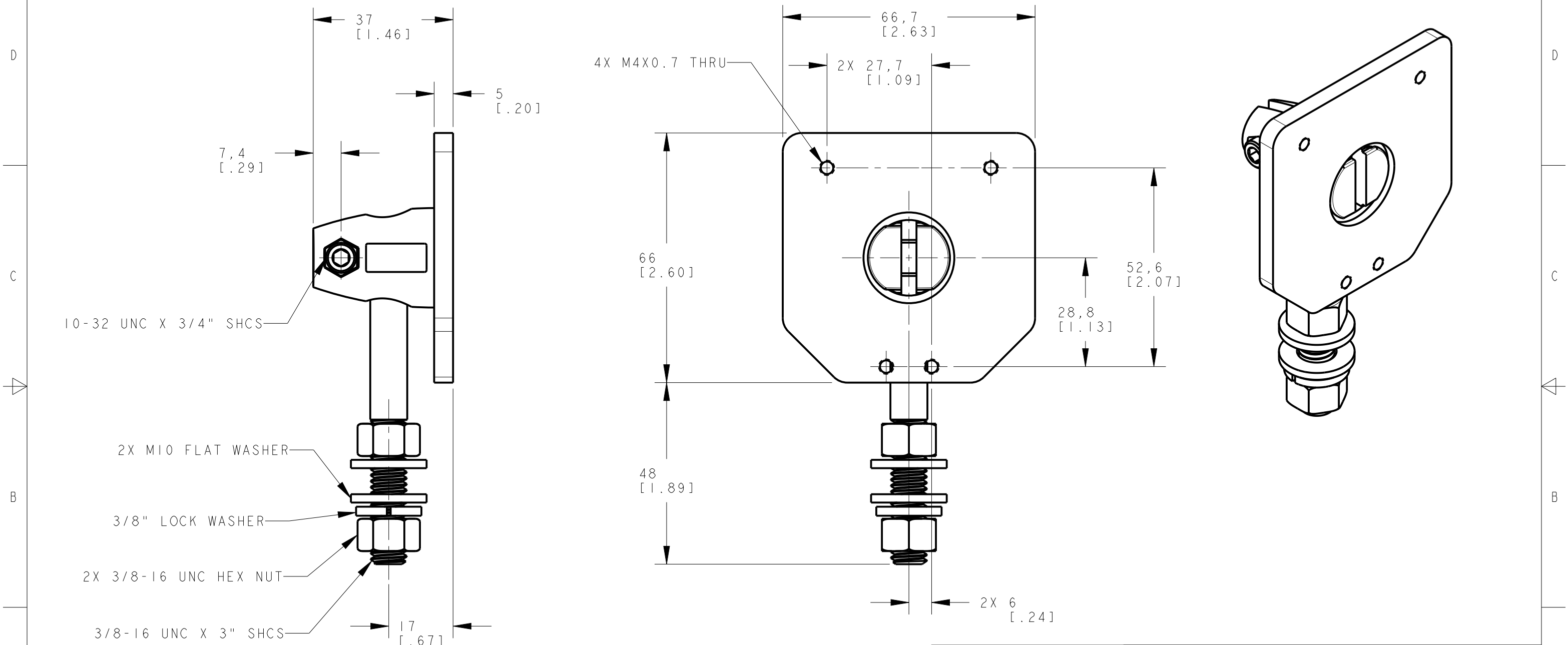


8 7 6 5 4 3 2 1



10-32 UNC X 3/4" SHCS

2X M10 FLAT WASHER

3/8" LOCK WASHER

2X 3/8-16 UNC HEX NUT

3/8-16 UNC X 3" SHCS

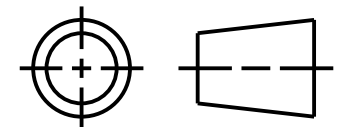
4X M4X0.7 THRU

This drawing is the property of BANNER ENGINEERING CORP. Any use or reproduction, in any form, without prior written permission of Banner is prohibited. © 2015 Banner Engineering Corp.



BANNER ENGINEERING CORP.
www.bannerengineering.com

THIRD ANGLE PROJECTION



TITLE
SMBLTFFA

SIZE B	DRAWING NO. 186341	REV. B
SCALE 1:1		SHEET 1 OF 1

NOTES:
1. ALL DIMENSIONS ARE MILLIMETERS [INCHES] UNLESS OTHERWISE NOTED.
2. REFER TO "www.bannerengineering.com" FOR ADDITIONAL DATA AND SPECIFICATIONS.

8 7 6 5 4 3 2 1 CREO