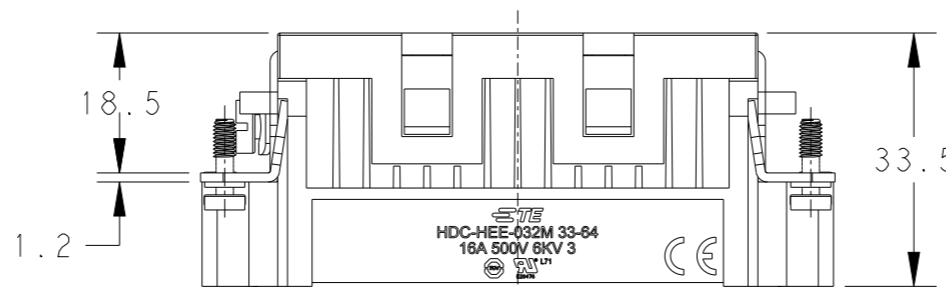
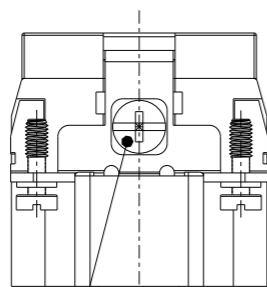
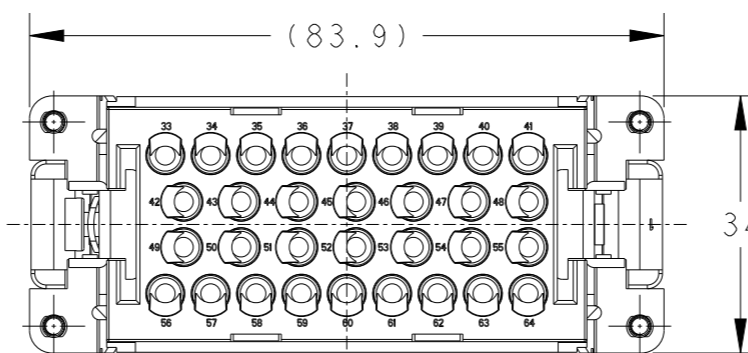
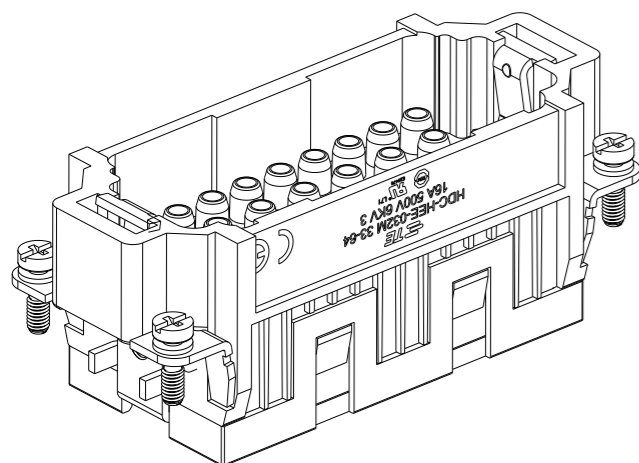


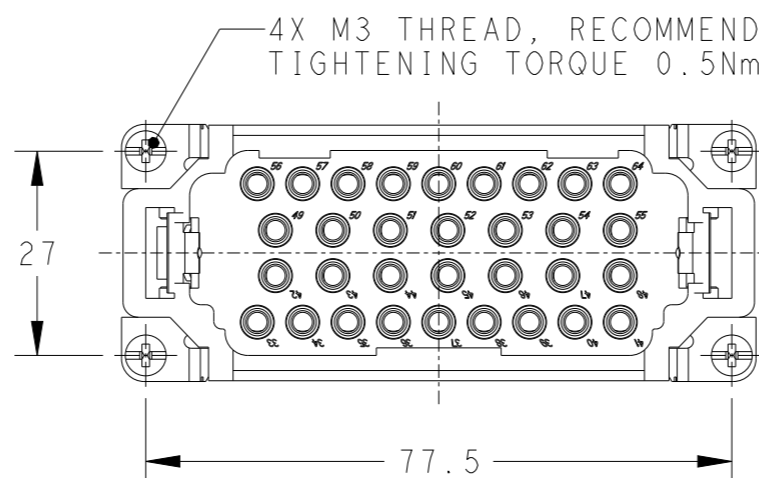
REVISIONS

P	LTR	DESCRIPTION	DATE	DWN	APVD
A		INITIAL	03APR2015	DW	CW
B		ECR-15-014907	14OCT2015	DL	CW
C		ECR-21-108559	06AUG2021	BS	CW

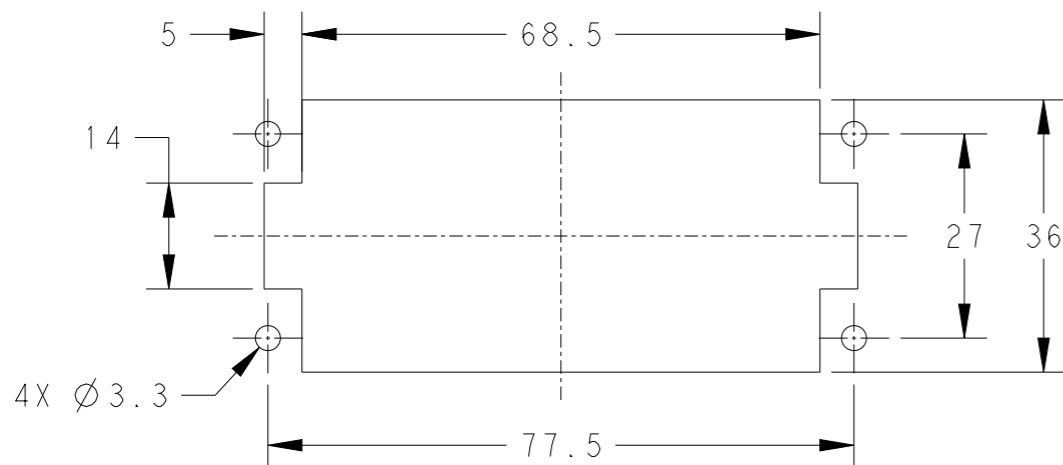


M4 THREAD
RECOMMENDED
TIGHTENING TORQUE 1.2Nm

4X M3 THREAD, RECOMMENDED
TIGHTENING TORQUE 0.5Nm



PANEL CUT FOR INSERTS FOR USE
WITHOUT HOODS/ HOUSINGS




NOTES:

- TECHNICAL CHARACTERISTICS:
INSULATION MATERIAL: PC
RATED VOLTAGE: 500V
RATED CURRENT: 16A
INSULATION RESISTANCE: $\geq 400M\Omega$
RATED IMPULSE VOLTAGE: 6KV
POLLUTION DEGREE: 3
FLAMMABILITY: UL94V-0
MATING CYCLES: 500 CYCLES
WIRE RANGE: 0.14-4 mm² (26-12 AWG)
CONTACT TYPE: CRIMP CONTACT
- CONTACT NEED TO BE ORDERED SEPARATELY.
(ORDER No. REFER TO DRAWING: T20300X10XX000)

注释:

- 技术参数:
绝缘材料: PC
额定电压: 500V
额定电流: 16A
绝缘电阻: $\geq 400M\Omega$
额定脉冲电压: 6KV
污染等级: 3
阻燃等级: UL94V-0
插拔次数: 500次
接线范围: 0.14-4 mm² (26-12 AWG)
接线类型: 冷压接
- 端子需要单独订购。
(订货号参考图面: T20300X10XX000)

HEE-032-M 33-64	T2050642101-000
DESCRIPTION	PART NUMBER

THIS DRAWING IS A CONTROLLED DOCUMENT.		DWN 01APR2015 David Wang	 TE Connectivity NAME HEE-032-M 33-64				
DIMENSIONS: mm		CHK 01APR2015 Chris Wang					
TOLERANCES UNLESS OTHERWISE SPECIFIED:		APVD 01APR2015 Xiang Xu					
0 PLC ±- 1 PLC ±- 2 PLC ±- 3 PLC ±- 4 PLC ±- ANGLES ±-		PRODUCT SPEC 108-106137					
MATERIAL		APPLICATION SPEC 114-106137	SIZE A3	CAGE CODE 00779	DRAWING NO T2050642101000	RESTRICTED TO -	
-		WEIGHT -	Customer Drawing		SCALE 1:1	SHEET 1 OF 1	REV C