

RJ45 Jack, Top Entry, SMT Unshielded, 8P8C

ARJ268-359976-SMT

RoHS/RoHS II Compliant



15.25 x 15.00 x 12.70mm

FEATURES:

- 8P8C standard DIP Jack
- Compliant with IEEE802.3 standard
- High performance for maximum EMI suppression
- High reliability 750 mating/unmating cycles

APPLICATIONS:

- Designed for most leading PHY IC manufacturers such as Broadcom, Marvell, Microsemi.
- Side entry with wide temperature range(-40°C~85°C)
- Applicable for Ethernet Switch, Servers, & Access Point Routers

STANDARD SPECIFICATIONS

Operating temperature range: -40°C to +85°C Storage temperature range: -40°C to +85°C

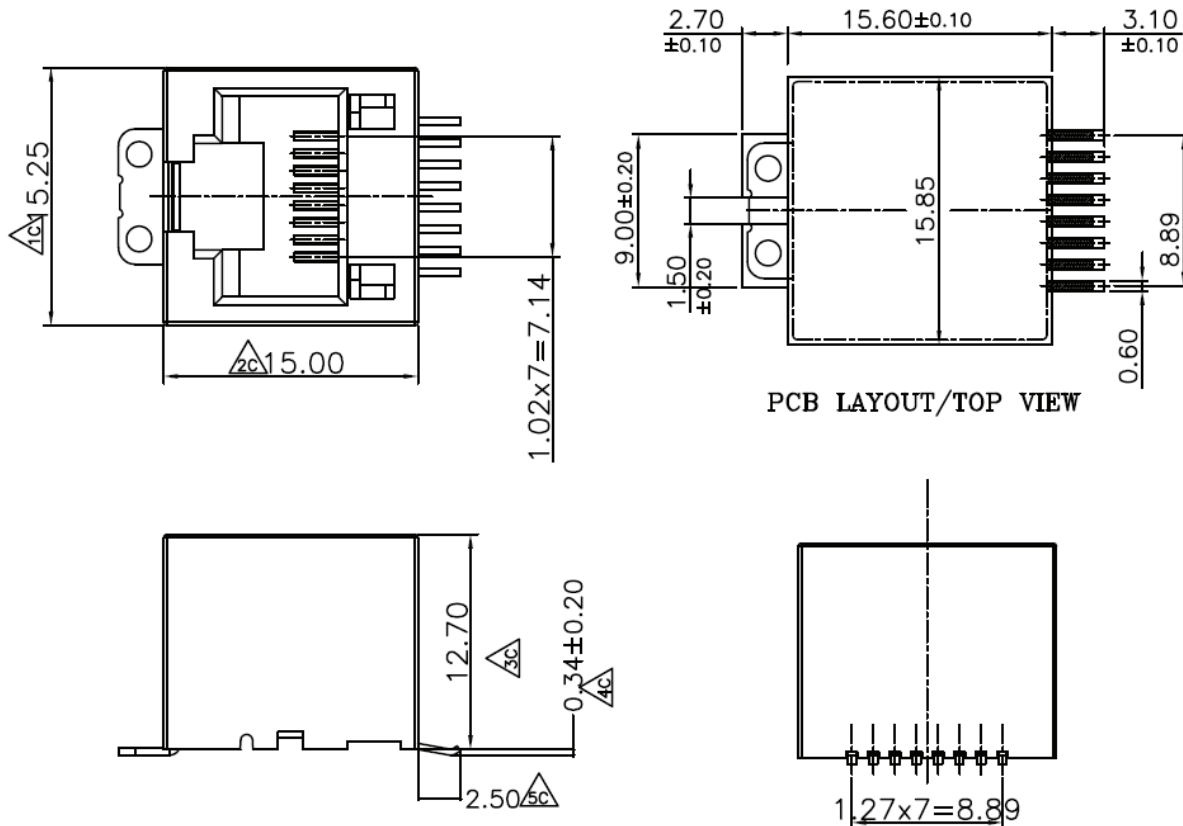
Standard Electrical Specifications

Voltage Rating: 125 Vac RMS
Current Rating: 1.5 Amp
Contact Resistance: 40 mΩ Max
Insulation resistance: 1000 MΩ Min @500 Vdc
Dielectric strength: 1000Vac RMS @50 or 60Hz, 1Min

Standard Mechanical Specifications

Mating/Unmating force: 2.2kgF max
Retention strength: 7.7kgF min between jack and plug
Operating life: 750 cycles min

MECHANICAL DIMENSIONS



Dimensions: mm

ABRACON IS
ISO 9001:2008
CERTIFIED

 **ABRACON**[®]
The Power of Linking Together LLC

2 Faraday, Suite# B | Irvine | CA 92618 Revised: 11.17.15
Ph. 949.546.8000 | Fax. 949.546.8001
Visit www.abracon.com for Terms and Conditions of Sale

RJ45 Jack, Top Entry, SMT Unshielded, 8P8C

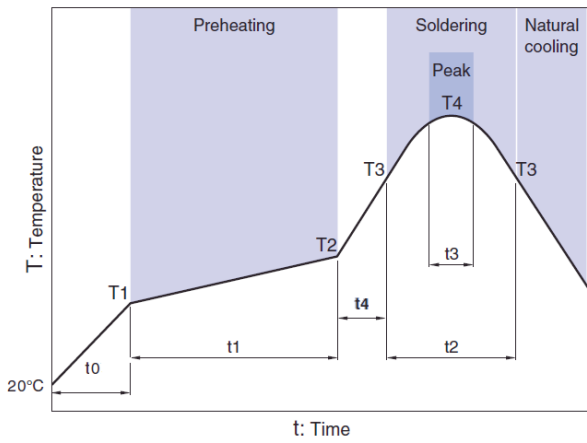
ARJ268-359976-SMT

RoHS/RoHS II Compliant



15.25 x 15.00 x 12.70mm

DIP WAVE SOLDERING CURVE



Preheating				Soldering				Peak	
Temp.	T2	t0	t1	Temp.	T2	T4	t2	Temp.	t3
100°C	150°C	30 to 60s	30 to 120s	30 to 60s	200°C	30s	230°C	5s	

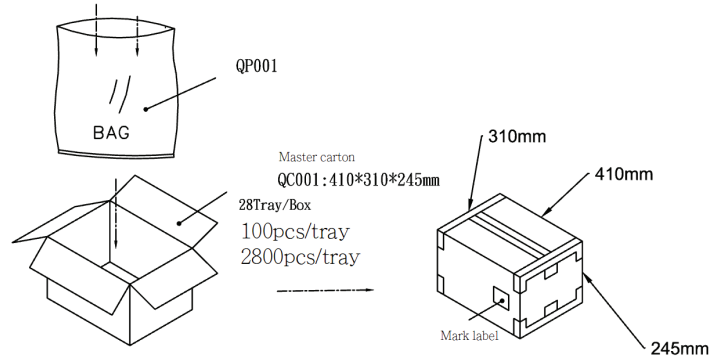
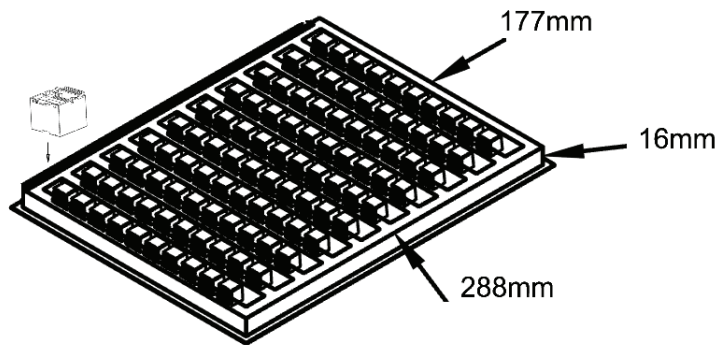
Profile Feature	Pb-Free Assembly
Preheat -Temperature Min -Temperature Max -Time (min to max)	100°C 200°C 60-120 seconds
Time maintained above: -Temperature -Time	200°C 30 seconds
Peak/Classification Temperature	230±5°C
Time within 230±5°C of actual Peak Temperature	5 seconds
Time 25°C to Peak Temperature	4 minutes 30 sec. max.

PACKAGING:

Packing: (100pcs/tray) MOQ: 500pcs
Weight: 2.43 grams/pcs

**Outer carton unit(optional): 2800pcs/ 28trays/box,
Gross Weight: 9.0kg**

Packaging material: PET



Dimensions: mm

ATTENTION: Abracon Corporation's products are COTS – Commercial-Off-The-Shelf products; suitable for Commercial, Industrial and, where designated, Automotive Applications. Abracon's products are not specifically designed for Military, Aviation, Aerospace, Life-dependant Medical applications or any application requiring high reliability where component failure could result in loss of life and/or property. For applications requiring high reliability and/or presenting an extreme operating environment, written consent and authorization from Abracon Corporation is required. Please contact Abracon Corporation for more information.

ABRACON IS
ISO 9001:2008
CERTIFIED



2 Faraday, Suite# B | Irvine | CA 92618 Revised: 11.17.15
Ph. 949.546.8000 | Fax. 949.546.8001
Visit www.abracon.com for Terms and Conditions of Sale