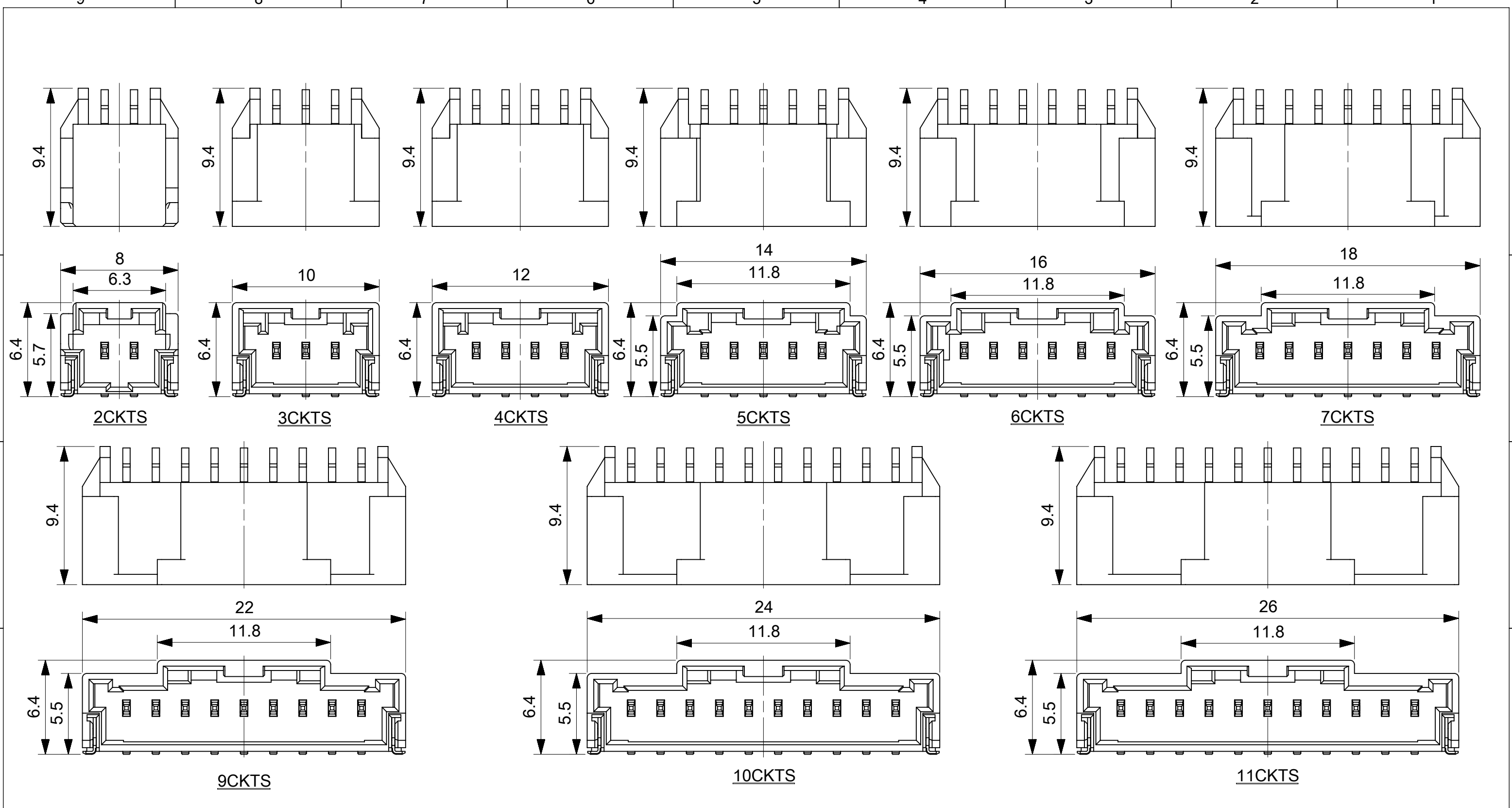


- 注記
NOTES
- 材質
ハウジング: 耐熱性ナイロンUL94V-0
ピン: 銅合金、ニッケル下地、錫メッキ、金メッキ
フィッティングネール: 銅合金、ニッケル下地、錫メッキ
MATERIAL
HOUSING: POLYAMIDE UL94V-0
PIN: COPPER ALLOY, GOLD OR TIN OVER NICKEL PLATE.
FITTING NAIL: COPPER ALLOY, TIN OVER NICKEL PLATE.
 - 色: ナチュラル、黒、赤、青
COLOR: NATURAL, BLACK, RED, BLUE
 - 嵌合相手
ハウジング: 502351-**0*
錫メッキ端子: 50212-8*00, 50372-8*00, 560085-0101
金メッキ端子: 56161-8*81
MATES WITH
HOUSING: 502351-**0*
SN PLATING TERMINAL: 50212-8*00, 50372-8*00, 560085-0101
AU PLATING TERMINAL: 56161-8*81
 - エンボス梱包品の詳細はSD-502352-002参照
DETAILED TAPING PACKAGE, SEE SD-502352-002.
 - ELV及びRoHS適合
ELV AND RoHS COMPLIANT
 - 半田付け面のコプラナリティ: 0.1mm MAX.
CO-PLANARITY OF SOLDERING TAILS TO BE 0.1mm MAX.

7. 一般公差
GENERAL TOLERANCES
10 UNDER: 0.2
10 OVER 30 UNDER: 0.25
30 OVER: 0.3
ANGULAR: ±3°

THIS DRAWING CONTAINS INFORMATION THAT IS PROPRIETARY TO MOLEX ELECTRONIC TECHNOLOGIES, LLC AND SHOULD NOT BE USED WITHOUT WRITTEN PERMISSION		CURRENT REV DESC:		molex	
DIMENSION UNITS	SCALE				
mm	5:1			2.0MM PITCH W/B CONN. WAFFER ASSY R/A SMT	
GENERAL TOLERANCES (UNLESS SPECIFIED)		EC NO: 608817		PRODUCT CUSTOMER DRAWING	
ANGULAR TOL	±	DRWN: MSATO08	2018/12/07	DOCUMENT NUMBER	
4 PLACES	±	CHK'D: HKOMATSU	2018/12/07	SD-502352-001	
3 PLACES	±	APPR: TOSADA	2018/12/07	DOC TYPE	DOC PART
2 PLACES	±	INITIAL REVISION:		PSD	001
1 PLACE	±	DRWN: SHSHIBATA	2008/01/23	REVISION	
0 PLACES	±	APPR: AKANESHIGE	2008/04/23	L2	
DRAFT WHERE APPLICABLE MUST REMAIN WITHIN DIMENSIONS		THIRD ANGLE PROJECTION	DRAWING	SERIES	MATERIAL NUMBER
			A3-SIZE	502352	SEE CHART
		CUSTOMER	GENERAL MARKET		SHEET NUMBER
				1 OF 4	

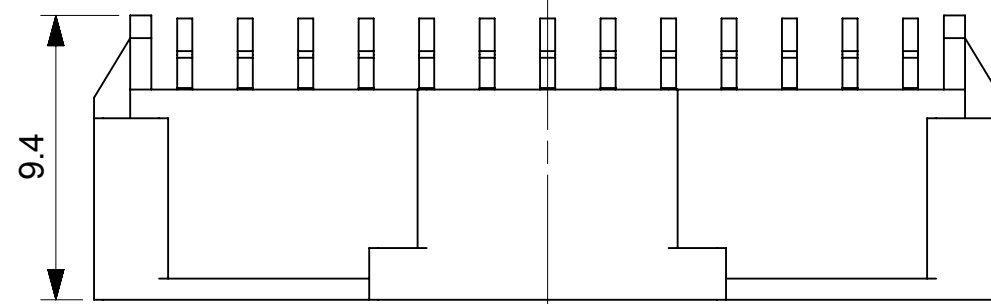
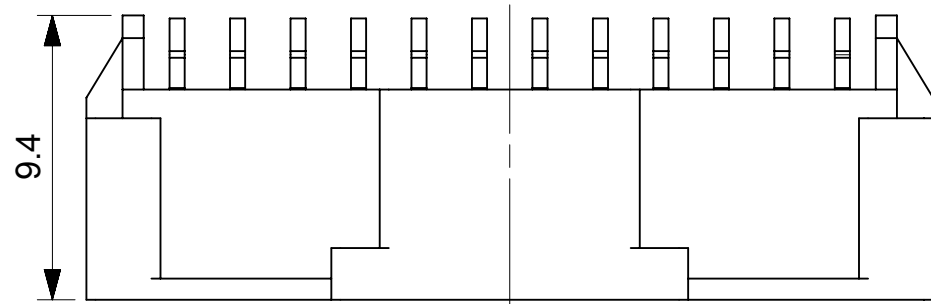
DOCUMENT STATUS	P1	RELEASE DATE	2018/12/07	08:35:17
-----------------	----	--------------	------------	----------



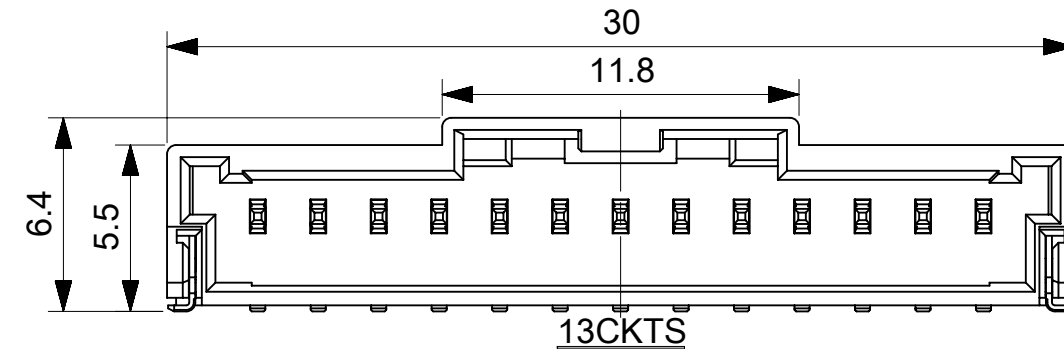
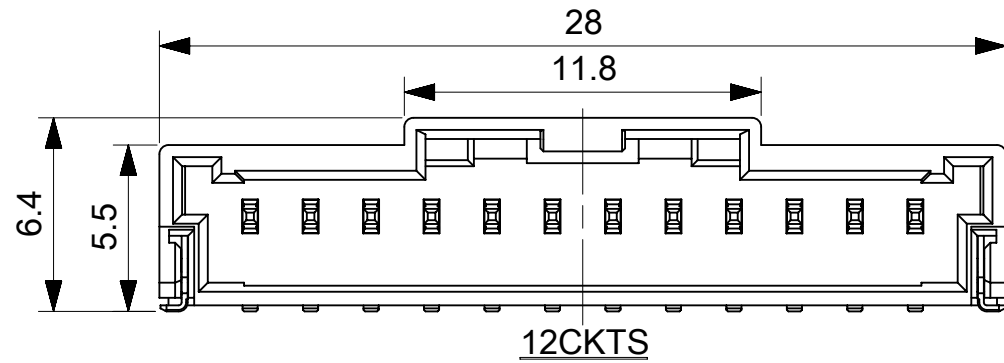
THIS DRAWING CONTAINS INFORMATION THAT IS PROPRIETARY TO MOLEX ELECTRONIC TECHNOLOGIES, LLC AND SHOULD NOT BE USED WITHOUT WRITTEN PERMISSION			
DIMENSION UNITS	SCALE	CURRENT REV DESC:	
mm	4:1		
GENERAL TOLERANCES (UNLESS SPECIFIED)			
ANGULAR TOL	±	°	
4 PLACES	±		
3 PLACES	±		
2 PLACES	±		
1 PLACE	±		
0 PLACES	±		
DRAFT WHERE APPLICABLE MUST REMAIN WITHIN DIMENSIONS		THIRD ANGLE PROJECTION	DRAWING
			A3-SIZE
		SERIES	502352
		MATERIAL NUMBER	SEE CHART
		CUSTOMER	GENERAL MARKET
		SHEET NUMBER	2 OF 4
INITIAL REVISION:		EC NO: 608817	
DRWN SHSHIBATA 2007/12/18		DRWN: MSATO08 2018/12/07	
CHECK HKOMATSU 2007/12/18		CHK'D: HKOMATSU 2018/12/07	
APPR AKANESHIGE 2007/12/18		APPR: TOSADA 2018/12/07	
		INITIAL REVISION:	
		DRWN: SHSHIBATA 2008/01/23	
		APPR: AKANESHIGE 2008/04/23	
		DOCUMENT NUMBER	SD-502352-001
		DOC TYPE	PSD
		DOC PART	001
		REVISION	L2

9 8 7 6 5 4 3 2 1

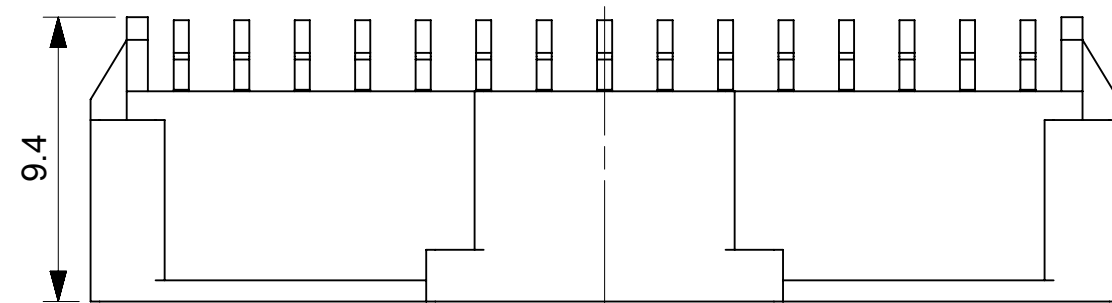
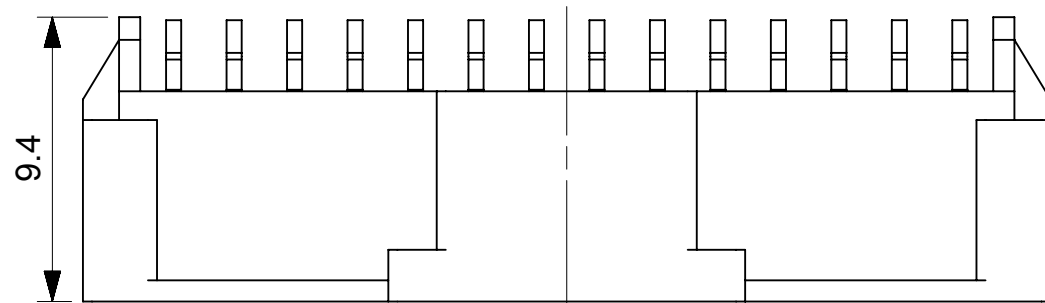
E



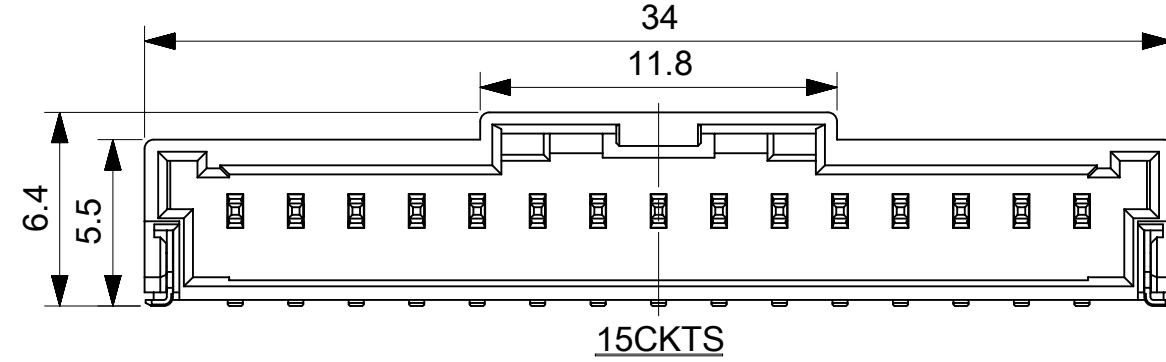
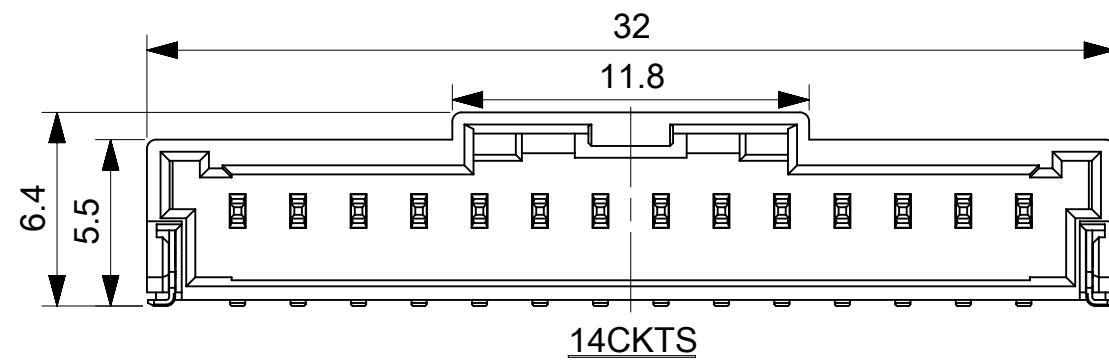
D



C



B



A

THIS DRAWING CONTAINS INFORMATION THAT IS PROPRIETARY TO MOLEX ELECTRONIC TECHNOLOGIES, LLC AND SHOULD NOT BE USED WITHOUT WRITTEN PERMISSION												
DIMENSION UNITS		SCALE		CURRENT REV DESC:				molex				
mm		4:1										
GENERAL TOLERANCES (UNLESS SPECIFIED)												
ANGULAR TOL ± °												
4 PLACES ±												
3 PLACES ±												
2 PLACES ±												
1 PLACE ±												
0 PLACES ±												
DRAFT WHERE APPLICABLE MUST REMAIN WITHIN DIMENSIONS				THIRD ANGLE PROJECTION		DRAWING		SERIES				
						A3-SIZE		502352				
INITIAL REVISION:				EC NO: 608817				SD-502352-001				
DRWN SHSHIBATA 2007/12/18				DRWN: MSATO08 2018/12/07								
CHECK HKOMATSU 2007/12/18				CHK'D: HKOMATSU 2018/12/07								
APPR AKANESHIGE 2007/12/18				APPR: TOSADA 2018/12/07				DOCUMENT NUMBER		DOC TYPE	DOC PART	REVISION
				INITIAL REVISION:				PSD		001	L2	
				DRWN: SHSHIBATA 2008/01/23				MATERIAL NUMBER		CUSTOMER		
				APPR: AKANESHIGE 2008/01/23				SEE CHART		GENERAL MARKET		
								SHEET NUMBER		3 OF 4		

DOCUMENT STATUS	P1	RELEASE DATE	2018/12/07	08:35:17
-----------------	----	--------------	------------	----------

9 8 7 6 5 4 3 2 1

FORMAT: master-ib-prod-A3
REVISION: 11
DATE: 2018/01/18

Sn NATURAL	34.0	502352-1500	15
	32.0	502352-1400	14
	30.0	502352-1300	13
	28.0	502352-1200	12
	26.0	502352-1100	11
	24.0	502352-1000	10
	22.0	502352-0900	9
	20.0	502352-0800	8
	18.0	502352-0700	7
	16.0	502352-0600	6
	14.0	502352-0500	5
	12.0	502352-0400	4
10.0	502352-0300	3	
8.0	502352-0200	2	

PLATING COLOR	A	EMBOSSED PACKAGE ORDER NO.	CKTS
CONNECTOR SERIES NO. 502352-**08			

Sn BLACK	34.0	502352-1501	15
	32.0	502352-1401	14
	30.0	502352-1301	13
	28.0	502352-1201	12
	26.0	502352-1101	11
	24.0	502352-1001	10
	22.0	502352-0901	9
	20.0	502352-0801	8
	18.0	502352-0701	7
	16.0	502352-0601	6
	14.0	502352-0501	5
	12.0	502352-0401	4
10.0	502352-0301	3	
8.0	502352-0201	2	

PLATING COLOR	A	EMBOSSED PACKAGE ORDER NO.	CKTS
CONNECTOR SERIES NO. 502352-**28			

Au NATURAL	34.0	502352-1510	15
	32.0	502352-1410	14
	30.0	502352-1310	13
	28.0	502352-1210	12
	26.0	502352-1110	11
	24.0	502352-1010	10
	22.0	502352-0910	9
	20.0	502352-0810	8
	18.0	502352-0710	7
	16.0	502352-0610	6
	14.0	502352-0510	5
	12.0	502352-0410	4
10.0	502352-0310	3	
8.0	502352-0210	2	

PLATING COLOR	A	EMBOSSED PACKAGE ORDER NO.	CKTS
CONNECTOR SERIES NO. 502352-**18			

Sn RED	-	-	15
	-	-	14
	-	-	13
	-	-	12
	-	-	11
	-	-	10
	-	-	9
	20.0	502352-0802	8
	-	-	7
	16.0	502352-0602	6
	-	-	5
	12.0	502352-0402	4
10.0	502352-0302	3	
8.0	502352-0202	2	

PLATING COLOR	A	EMBOSSED PACKAGE ORDER NO.	CKTS
CONNECTOR SERIES NO. 502352-**48			

Sn BLUE	-	-	15
	-	-	14
	-	-	13
	-	-	12
	-	-	11
	-	-	10
	-	-	9
	20.0	502352-0803	8
	-	-	7
	16.0	502352-0603	6
	-	-	5
	12.0	502352-0403	4
10.0	502352-0303	3	
8.0	502352-0203	2	

PLATING COLOR	A	EMBOSSED PACKAGE ORDER NO.	CKTS
CONNECTOR SERIES NO. 502352-**68			

Sn BLUE	-	-	15
	-	-	14
	-	-	13
	-	-	12
	-	-	11
	-	-	10
	-	-	9
	20.0	502352-0803	8
	-	-	7
	16.0	502352-0603	6
	-	-	5
	12.0	502352-0403	4
10.0	502352-0303	3	
8.0	502352-0203	2	

PLATING COLOR	A	EMBOSSED PACKAGE ORDER NO.	CKTS
CONNECTOR SERIES NO. 502352-**68			

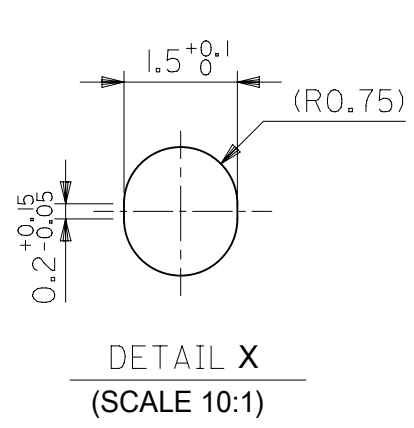
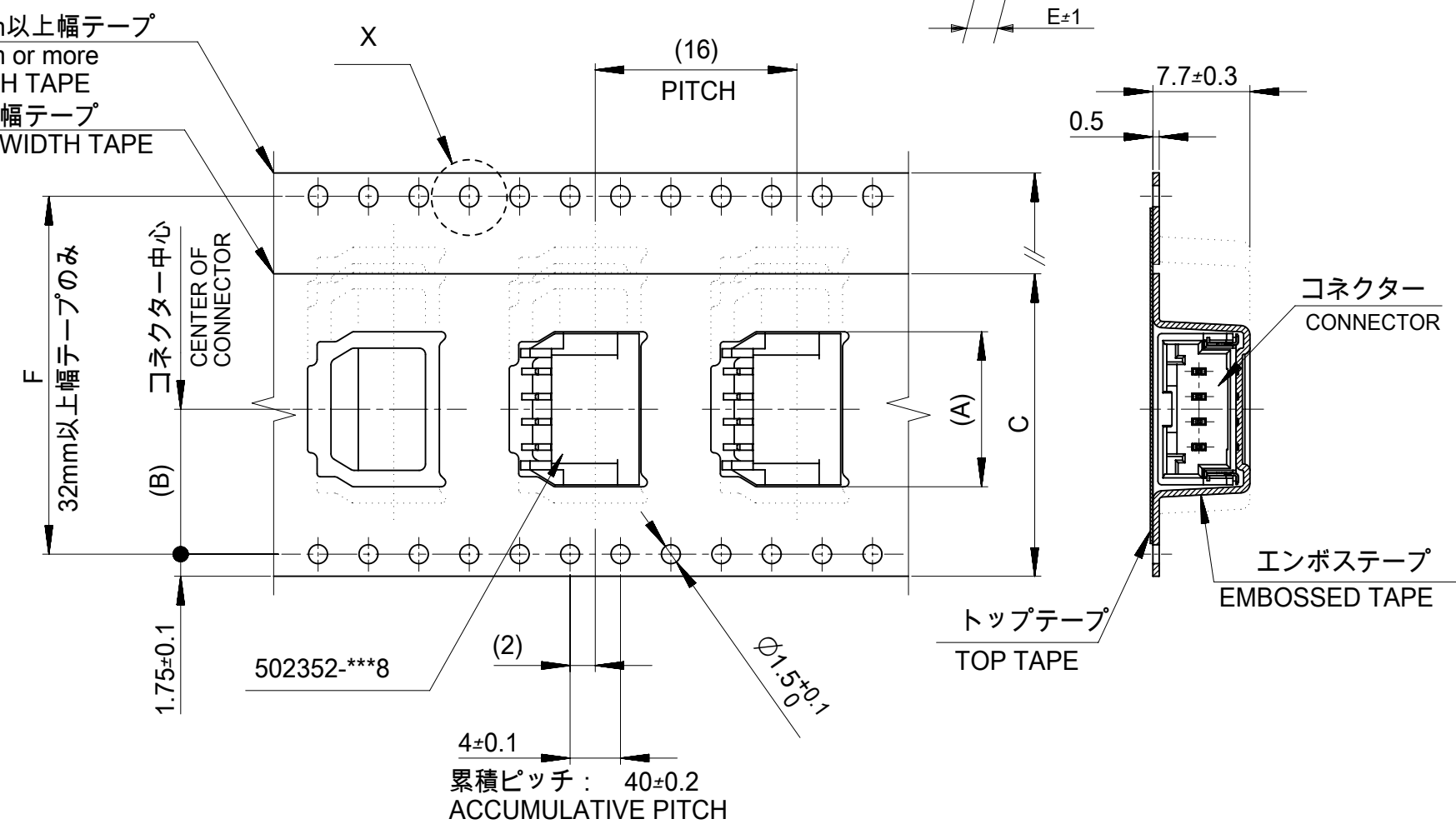
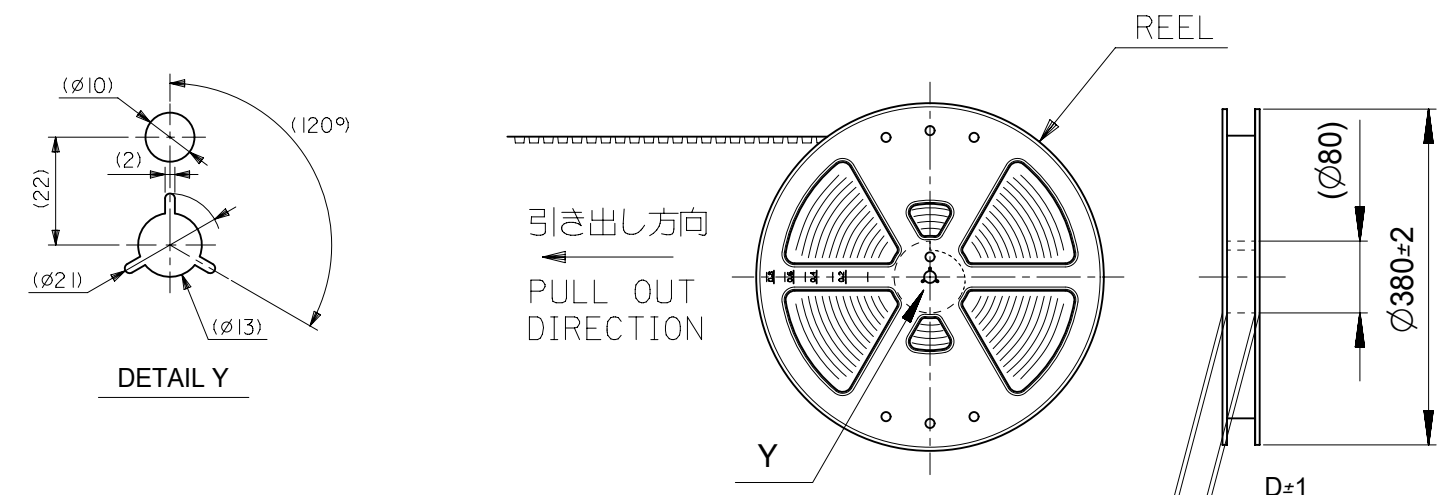
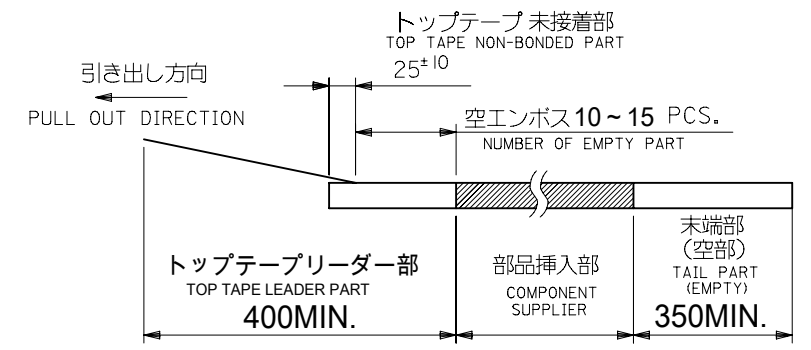
INITIAL REVISION:
 DRWN SHSHIBATA 2007/12/18
 CHECK HKOMATSU 2007/12/18
 APPR AKANESHIGE 2007/12/18

THIS DRAWING CONTAINS INFORMATION THAT IS PROPRIETARY TO MOLEX ELECTRONIC TECHNOLOGIES, LLC AND SHOULD NOT BE USED WITHOUT WRITTEN PERMISSION	
DIMENSION UNITS mm	SCALE 1:1
GENERAL TOLERANCES (UNLESS SPECIFIED)	CURRENT REV DESC:
ANGULAR TOL ± °	EC NO: 608817
4 PLACES ±	DRWN: MSATO08 2018/12/07
3 PLACES ±	CHK'D: HKOMATSU 2018/12/07
2 PLACES ±	APPR: TOSADA 2018/12/07
1 PLACE ±	INITIAL REVISION:
0 PLACES ±	DRWN: SHSHIBATA 2008/01/23
DRAFT WHERE APPLICABLE MUST REMAIN WITHIN DIMENSIONS	APPR: AKANESHIGE 2008/04/23
THIRD ANGLE PROJECTION	DRAWING
	A3-SIZE
SERIES	502352
MATERIAL NUMBER	SEE CHART
CUSTOMER	GENERAL MARKET
DOCUMENT NUMBER	SD-502352-001
DOC TYPE	PSD
DOC PART	001
REVISION	L2
SHEET NUMBER	4 OF 4



注記
NOTES

- 製品番号
 ナチュラル・錫めっき: 502352-**00
 ナチュラル・金めっき: 502352-**10
 黒・錫めっき: 502352-**01
 赤・錫めっき: 502352-**02
 青・錫めっき: 502352-**03
 詳細寸法については、製品単体図面を参照下さい。
 PART NO.
 NATURAL Sn Plating: 502352-**00
 NATURAL Au Plating: 502352-**10
 BLACK Sn Plating: 502352-**01
 RED Sn Plating: 502352-**02
 BLUE Sn Plating: 502352-**03
 SEE SALES DRAWING FOR CONNECTOR
- 梱包数量: 700個/リール
 NUMBER OF CONNECTORS 700PCS/REEL
- リードテープ長さ
 LEAD TAPE LENGHT
- 材料
 MATERIAL
 キャリアテープ: ポリスチレン
 CARRIER TAPE: POLYSTYRENE
 トップテープ: PET, PE, PEF
 TOP TAPE: PET, PE, PEF
 リール: ポリスチレン
 REEL: POLYSTYRENE
- 一般降参
 GENERAL TOLERANCES
 10 UNDER: 0.2
 10 OVER 30 UNDER: 0.25
 30 OVER: 0.3
 ANGULAR: ±1°



引き出し方向
PULL OUT DIRECTION

エンボステープ内の製品の向き
DIRECTION OF CONNECTOR
IN EMBOSSSED TAPE

THIS DRAWING CONTAINS INFORMATION THAT IS PROPRIETARY TO MOLEX ELECTRONIC TECHNOLOGIES, LLC AND SHOULD NOT BE USED WITHOUT WRITTEN PERMISSION		CURRENT REV DESC:		molex	
DIMENSION UNITS	SCALE				
mm	NTS			2.0MM PITCH W/B CONN. WAFFER ASSY EMBOSSSED TAPE PACKAGE	
GENERAL TOLERANCES (UNLESS SPECIFIED)		EC NO: 177053		PRODUCT CUSTOMER DRAWING	
ANGULAR TOL	± °	DRWN: RHORI	2018/05/21	DOCUMENT NUMBER	
4 PLACES	±	CHK'D: HKOMATSU	2018/05/23	SD-502352-002	
3 PLACES	±	APPR: TOSADA	2018/05/23	DOC TYPE	DOC PART
2 PLACES	±	INITIAL REVISION:		PSD	001
1 PLACE	±	DRWN: SHSHIBATA	2007/06/19	REVISION	
0 PLACES	±	APPR: AKANESHIGE	2007/06/19	K	
DRAFT WHERE APPLICABLE MUST REMAIN WITHIN DIMENSIONS		THIRD ANGLE PROJECTION	DRAWING	SERIES	MATERIAL NUMBER
			A3-SIZE	502352	CUSTOMER
					GENERAL MARKET
					SHEET NUMBER
					1 OF 2

INITIAL REVISION:

DRWN	SHSHIBATA	2007/06/06
CHECK	TAITO	2007/06/06
APPR	MAYAMAMOTO	2012/03/14

