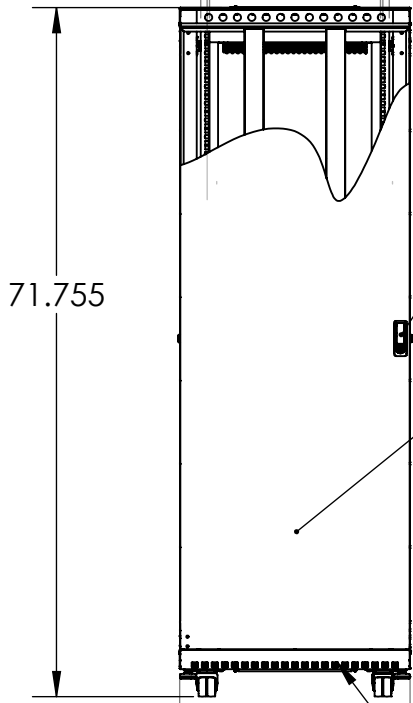


19.636 MAX
 18.312
 HOLE TO HOLE
 17.812
 INSIDE RAIL

24.138 MAX
 RAIL TO RAIL
 1.210 MIN
 DOOR CLEARANCE
 1.710 MIN
 DOOR CLEARANCE

HINGED/
 REMOVABLE
 CONVEX DOOR



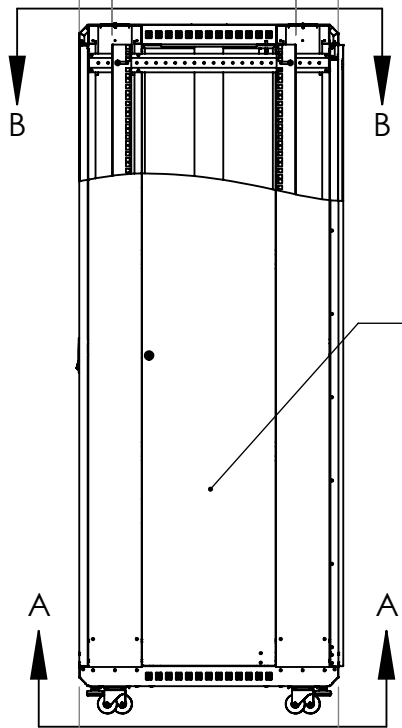
71.755

KEYED LOCK
 FRONT, SIDES
 AND REAR

HINGED/
 REMOVABLE
 SOLID DOOR

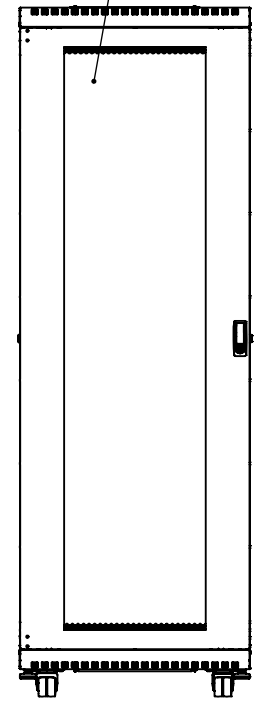
FRONT
 24.000

VENTING FRONT,
 SIDES AND REAR,
 TOP AND BOTTOM



LEFT/ RIGHT
 27.500

HINGED/
 REMOVABLE
 SIDE PANELS



REAR

- NOTE:
1. 19" EIA RACK MOUNT COMPLIANT.
 2. RAILS ACCEPT 3/8" CAGENUT.
 3. BLACK POWDER COAT.

PROPRIETARY AND CONFIDENTIAL
 THE INFORMATION CONTAINED IN THIS
 DRAWING IS THE SOLE PROPERTY OF
 KENDALL HOWARD. ANY REPRODUCTION
 IN PART OR AS A WHOLE WITHOUT THE
 WRITTEN PERMISSION OF KENDALL HOWARD
 IS STRICTLY PROHIBITED.

WEB PRINT

NEXT ASSY	USED ON
APPLICATION	

UNLESS OTHERWISE SPECIFIED:
 DIMENSIONS ARE IN INCHES
 TOLERANCES:
 FRACTIONAL ± 1/8
 ANGULAR: BEND ± 1 DEGREE
 TWO PLACE DECIMAL ± .03
 THREE PLACE DECIMAL ± .01
 Surface Area

MATERIAL
FINISH
DO NOT SCALE DRAWING

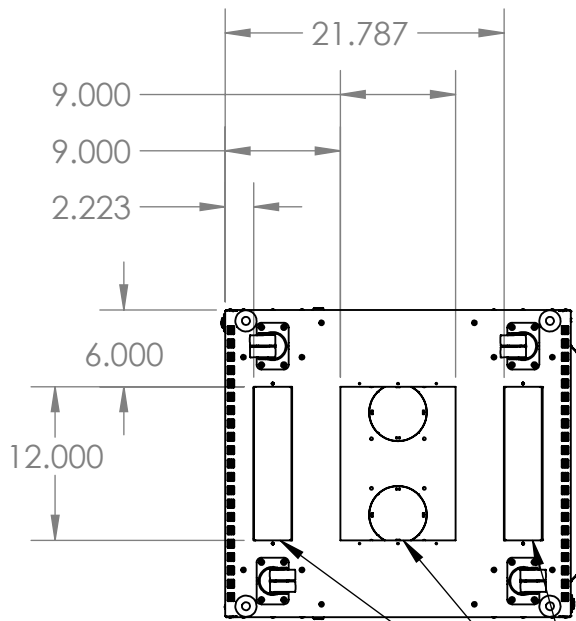
DRAWN	NAME	DATE
CHECKED		
ENG APPR.		
MFG APPR.		
Q.A.		
COMMENTS:		

KENDALL HOWARD

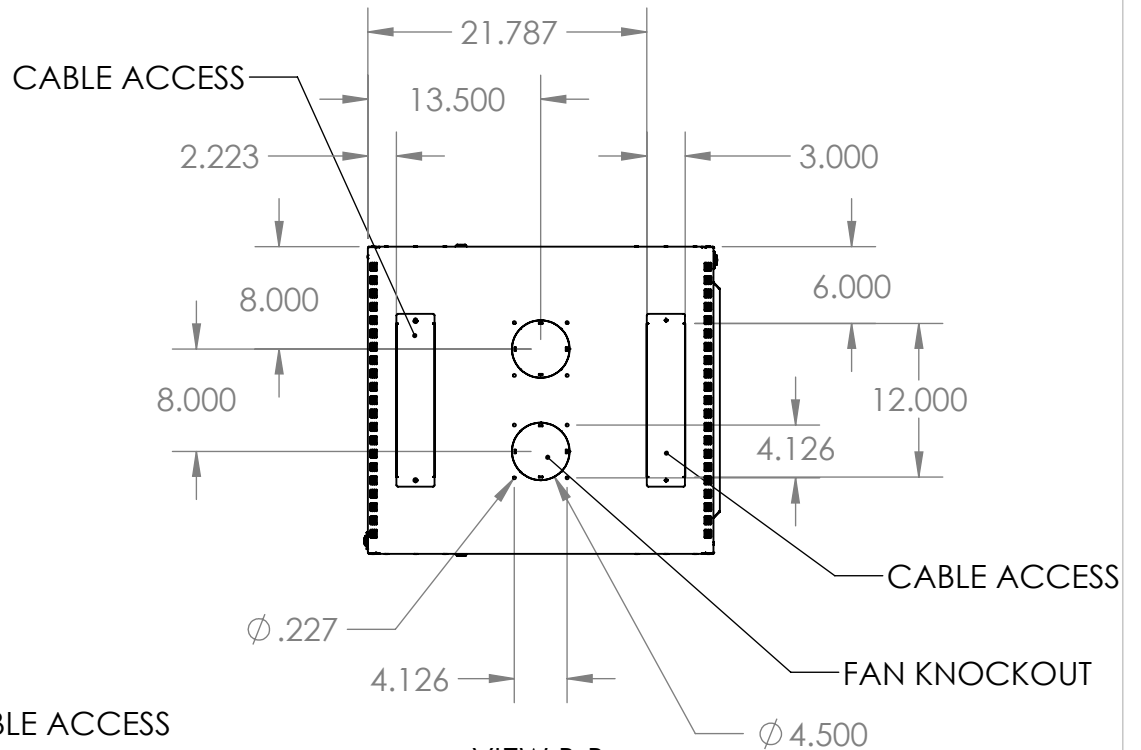
TITLE:
**37U LINIER AV SOLID
 FRONT/ CONVEX REAR**

SIZE	DWG. NO.	REV
A	3104-3-024-37 WP	

SCALE: 1:20 WEIGHT: 137.36 SHEET 1 OF 2



VIEW A-A
SCALE 1 : 15
BOTTOM VIEW



VIEW B-B
SCALE 1 : 15
TOP VIEW

PROPRIETARY AND CONFIDENTIAL
THE INFORMATION CONTAINED IN THIS DRAWING IS THE SOLE PROPERTY OF KENDALL HOWARD. ANY REPRODUCTION IN PART OR AS A WHOLE WITHOUT THE WRITTEN PERMISSION OF KENDALL HOWARD IS STRICTLY PROHIBITED.

WEB PRINT	
NEXT ASSY	USED ON
APPLICATION	

UNLESS OTHERWISE SPECIFIED: DIMENSIONS ARE IN INCHES TOLERANCES: FRACTIONAL ± 1/8 ANGULAR: BEND ± 1 DEGREE TWO PLACE DECIMAL ± .03 THREE PLACE DECIMAL ± .01
Surface Area
MATERIAL
FINISH
DO NOT SCALE DRAWING

	NAME	DATE
DRAWN		
CHECKED		
ENG APPR.		
MFG APPR.		
Q.A.		
COMMENTS:		

KENDALL HOWARD

TITLE:
37U LINIER AV SOLID FRONT/ CONVEX REAR

SIZE	DWG. NO.	REV
A	3104-3-024-37 WP	
SCALE: 1:20	WEIGHT: 137.36	SHEET 2 OF 2