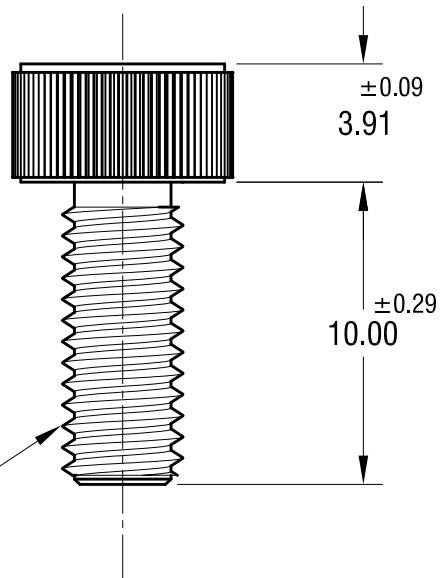
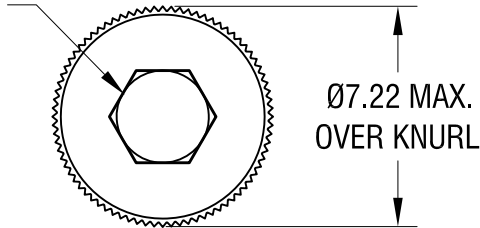


THIS DOCUMENT IS THE PROPERTY OF
KEYSTONE ELECTRONICS CORP. AND
SHALL NOT BE REPRODUCED, DISTRIBUTED
OR USED AS A BASIS FOR MANUFACTURE
WITHOUT PRIOR WRITTEN PERMISSION
FROM KEYSTONE ELECTRONICS CORP.

ACTUAL SIZE

KEY SIZE FOR
3 HEX.



M4 x 0.7
THREAD

NOTE:

1. ALL DIMENSIONS ARE IN MILLIMETERS

KEYSTONE ELECTRONICS CORP.

www.keyelco.com • NEW HYDE PARK, NY 11040 • Tel (516) 328-7500

| | | | |
|----------------------------|-------------|-------------------|----------|
| PART NAME | | SOCKET HEAD SCREW | |
| MATERIAL | | TITANIUM, GRADE 2 | |
| FINISH | | DRN BY | DATE |
| NONE | | NT | 10.31.19 |
| TOLERANCES | | APP'D | SCALE |
| DECIMAL | ± [± 0.13] | RH | 4X |
| ANGULAR | ± 1° | DWG NO. | |
| UNLESS OTHERWISE SPECIFIED | | C | |
| | | 25041 | |

| | | |
|------|-------------|------|
| DATE | DESCRIPTION | REV. |
| | | |