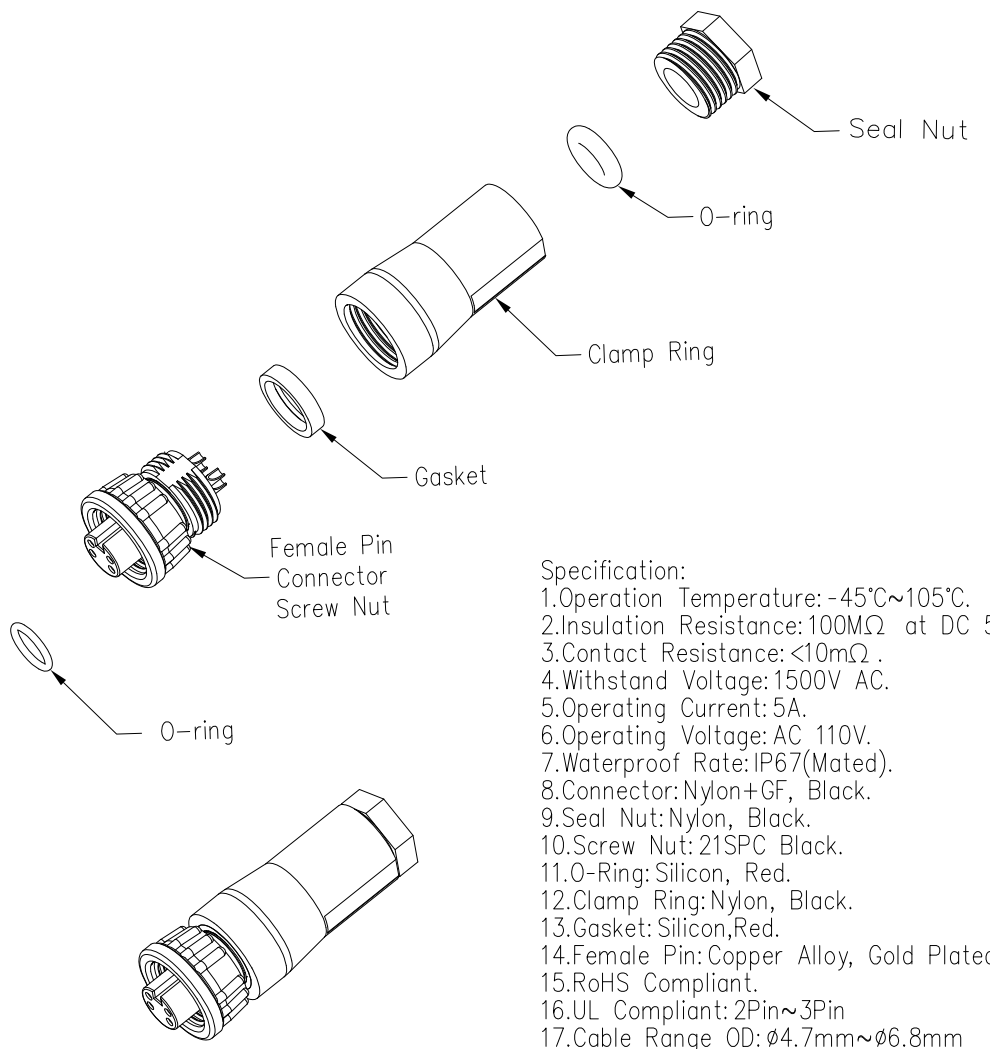
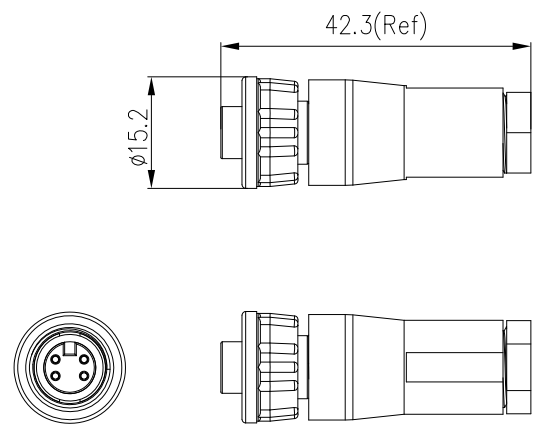


| REV. | ECN NO. | DESCRIPTION | SIGN | DATE |
|------|---------|-----------------|---------|------------|
| C1 | N/A | INITIAL DRAWING | Victory | 2020/04/09 |
| | | | | |
| | | | | |



Specification:

- 1.Operation Temperature: -45°C~105°C.
- 2.Insulation Resistance:100MΩ at DC 500V.
- 3.Contact Resistance:<10mΩ .
- 4.Withstand Voltage:1500V AC.
- 5.Operating Current:5A.
- 6.Operating Voltage:AC 110V.
- 7.Waterproof Rate:IP67(Mated).
- 8.Connector:Nylon+GF, Black.
- 9.Seal Nut:Nylon, Black.
- 10.Screw Nut: 21SPC Black.
- 11.O-Ring: Silicon, Red.
- 12.Clamp Ring:Nylon, Black.
- 13.Gasket: Silicon,Red.
- 14.Female Pin:Copper Alloy, Gold Plated.
- 15.RoHS Compliant.
- 16.UL Compliant: 2Pin~3Pin
- 17.Cable Range OD:φ4.7mm~φ6.8mm
- 18.Mating Cap P/N: 806-00057-00.

21XXX211-01
Pin Number

| | | |
|----------------------------|------------------|------------------|
| | | |
| 2 Pin | 3 Pin | 4 Pin |
| P/N: 21002211-01 | P/N: 21003211-01 | P/N: 21004211-01 |
| Pin Assignments Front View | | |

| | | | |
|-----------|--|--|-----------------|
| UNIT:mm | | DESCRIPTION Mini Series Screw Type Male Plug With Female Pin | |
| TOLERANCE | ±0.25 XX ±0.15 XXX ±0.05 ANGLES ±1° | SCALE: 1:1 | SHEET 1 OF 1 |
| REV. C1 | SIZE A4 | *:Inspection Item | |

CHOGORI

| | | | | | |
|----------|-------------|-------------|---------|------|------------|
| PART NO | 21XXX211-01 | DRAWN BY | Victory | DATE | 2020/04/09 |
| DWG NO | | CHECKED BY | Ivan | DATE | 2020/04/09 |
| CUSTOMER | | APPROVED BY | Panson | DATE | 2020/04/09 |

THIS INFORMATION IS CONFIDENTIAL AND IS DISCLOSED TO YOU ON CONDITION THAT NO FURTHER DISCLOSURE IS MADE BY YOU TO OTHER THAN CHOGORI PERSONNEL WITHOUT AUTHORIZATION FROM CHOGORI CORP.