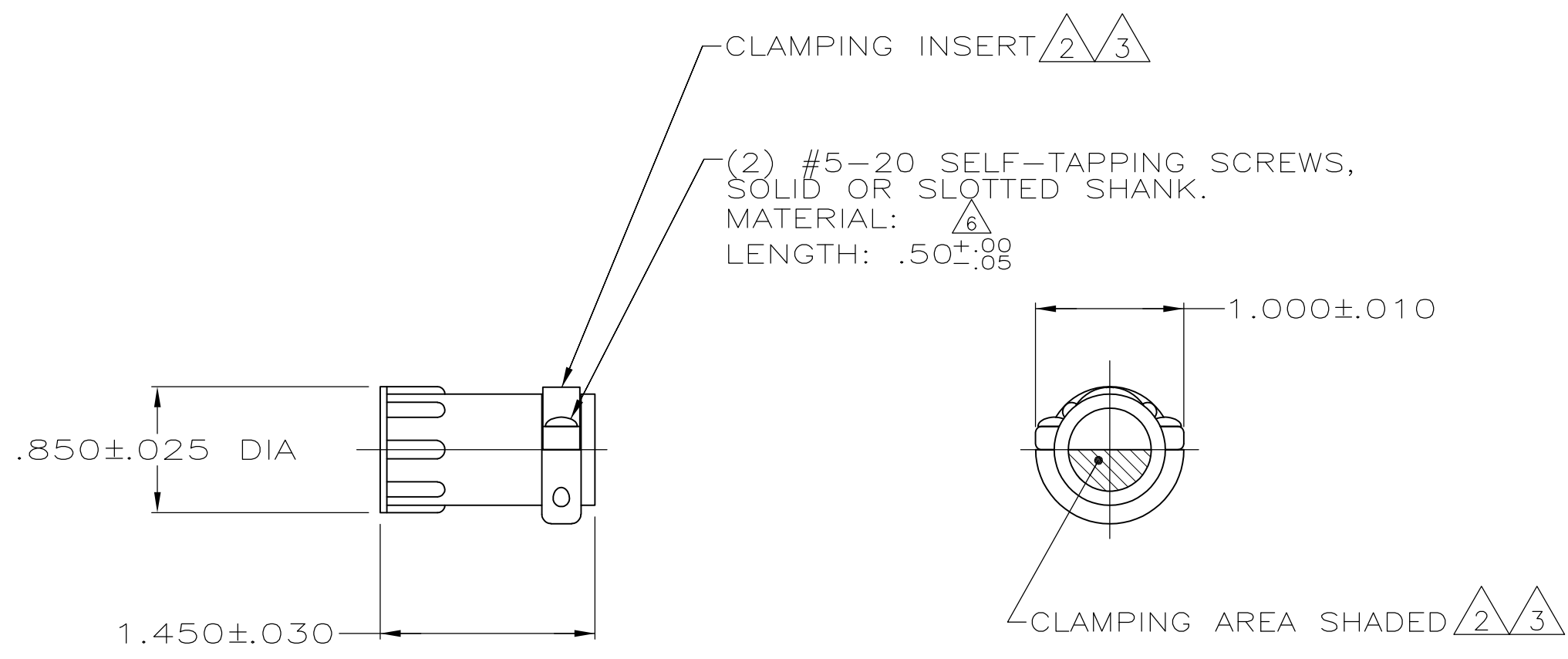


THIS DRAWING IS UNPUBLISHED. RELEASED FOR PUBLICATION  
 © COPYRIGHT - By - ALL RIGHTS RESERVED.

LOC	DIST	REVISIONS					
BD	0	P	LTR	DESCRIPTION	DATE	DWN	APVD
			N1	REVISED PER ECO-11-004820	11MAR11	RK	HMR



- 1 PARTS PACKAGED UNASSEMBLED.
- $\triangle 2$  CABLE CLAMPING AREA ADJUSTABLE FROM .010 TO .161 SQ IN BY REVERSING CLAMPING INSERTS. (2 INSERTS SUPPLIED, -1 AND -2 ONLY)
- $\triangle 3$  CABLE CLAMPING AREA ADJUSTABLE FROM .010 TO .161 SQ IN BY CHANGING CLAMPING INSERTS. (4 INSERTS SUPPLIED, -3 ONLY)
- 4 .453 MAXIMUM CABLE OUTSIDE DIAMETER.
- $\triangle 5$  BULK PACKAGED KITS TO BE ORDERED IN MULTIPLES OF 200 ONLY.
- $\triangle 6$  STEEL, ZINC PLATE WITH NON-HEXAVALENT CHROMATE.

$\triangle 6$	$\triangle 5$	BULK	206358-6
$\triangle 6$		INDIVIDUAL	206358-5
$\triangle 6$		INDIVIDUAL	206358-4
	OBSOLETE	$\triangle 5$ BULK	206358-3
$\triangle 6$	SUPERSEDED BY 206358-6	$\triangle 5$ BULK	206358-2
$\triangle 6$	SUPERSEDED BY 206358-5	INDIVIDUAL	206358-1
		PACKAGING	PART NUMBER

THIS DRAWING IS A CONTROLLED DOCUMENT.		DWN	4/23/91		<b>STE</b> TE Connectivity		
		CHK	7-23-92				
		W.G.LENKER			NAME		
		-			CABLE CLAMP KIT, LARGE, SHELL SIZE 11, CPC		
DIMENSIONS: INCHES		TOLERANCES UNLESS OTHERWISE SPECIFIED:			PRODUCT SPEC		
		0 PLC	± -		108-10024		
		1 PLC	± -		APPLICATION SPEC		
		2 PLC	± -		-		
		3 PLC	± -		-		
		4 PLC	± -		SIZE	CAGE CODE	DRAWING NO
		ANGLES	± -		A3	00779	C-206358
MATERIAL		FINISH			RESTRICTED TO		
THERMOPLASTIC		-			-		
CUSTOMER DRAWING					SCALE	SHEET	REV
					NTS	1 OF 1	N1