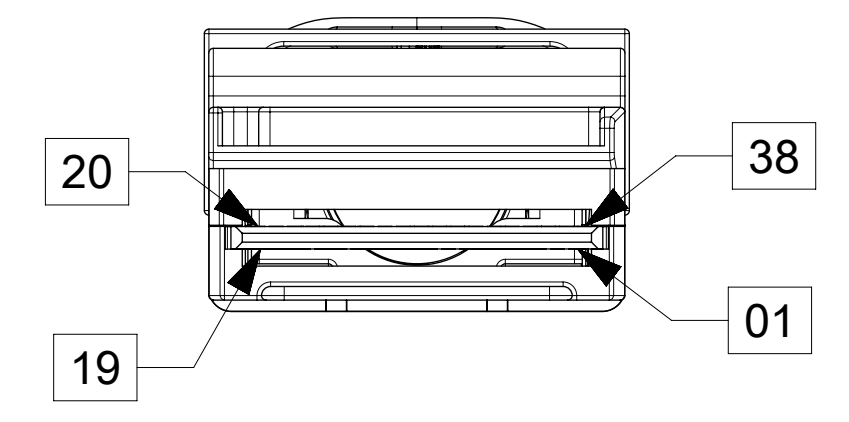
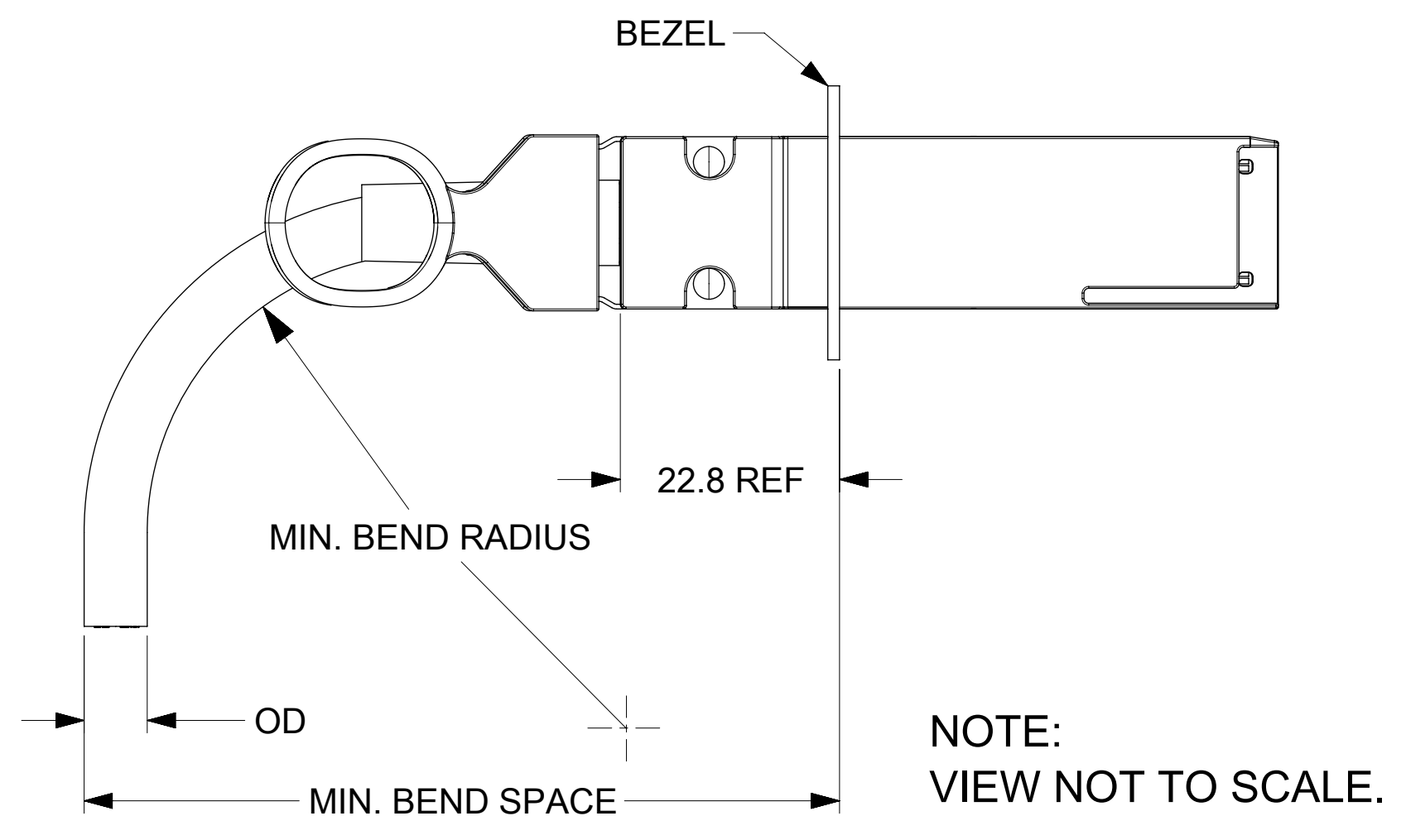


- NOTES:**
1. CABLE LENGTH DEPENDS ON WIRE GAUGE, DATA RATE, AND HOST BOARD DRIVER CAPABILITIES
 2. MATERIALS:
 BACKSHELLS - ZINC DIE CAST WITH BRIGHT NICKEL PLATING
 DELATCH - STAINLESS STEEL WITH OVERMOLDED NYLON
 RIVETS - STAINLESS STEEL
 3. IMPEDANCE - 100 OHMS DIFFERENTIAL
 4. CABLE IS UL RECOGNIZED (TBD)
 5. EEPROM MAP AVAILABLE UPON REQUEST
 6. RoHS COMPLIANT, NO EXEMPTIONS

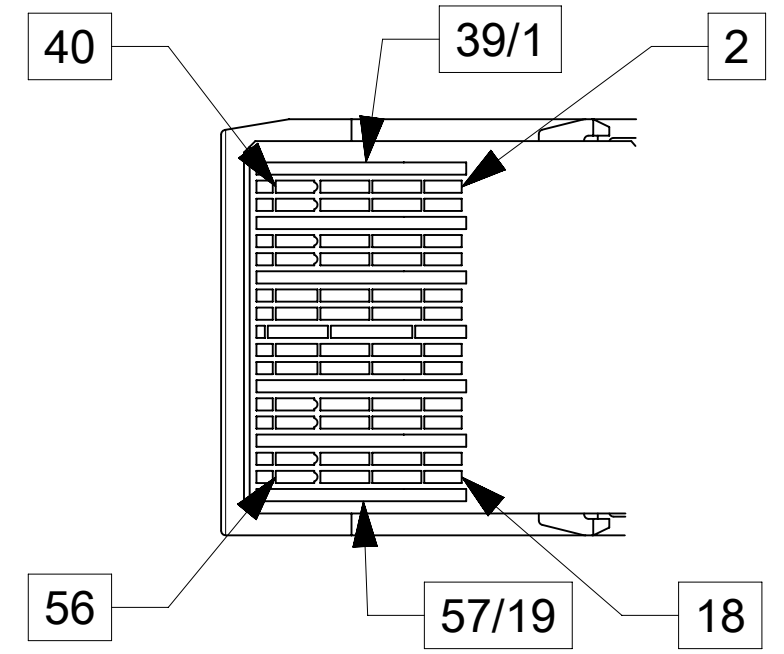
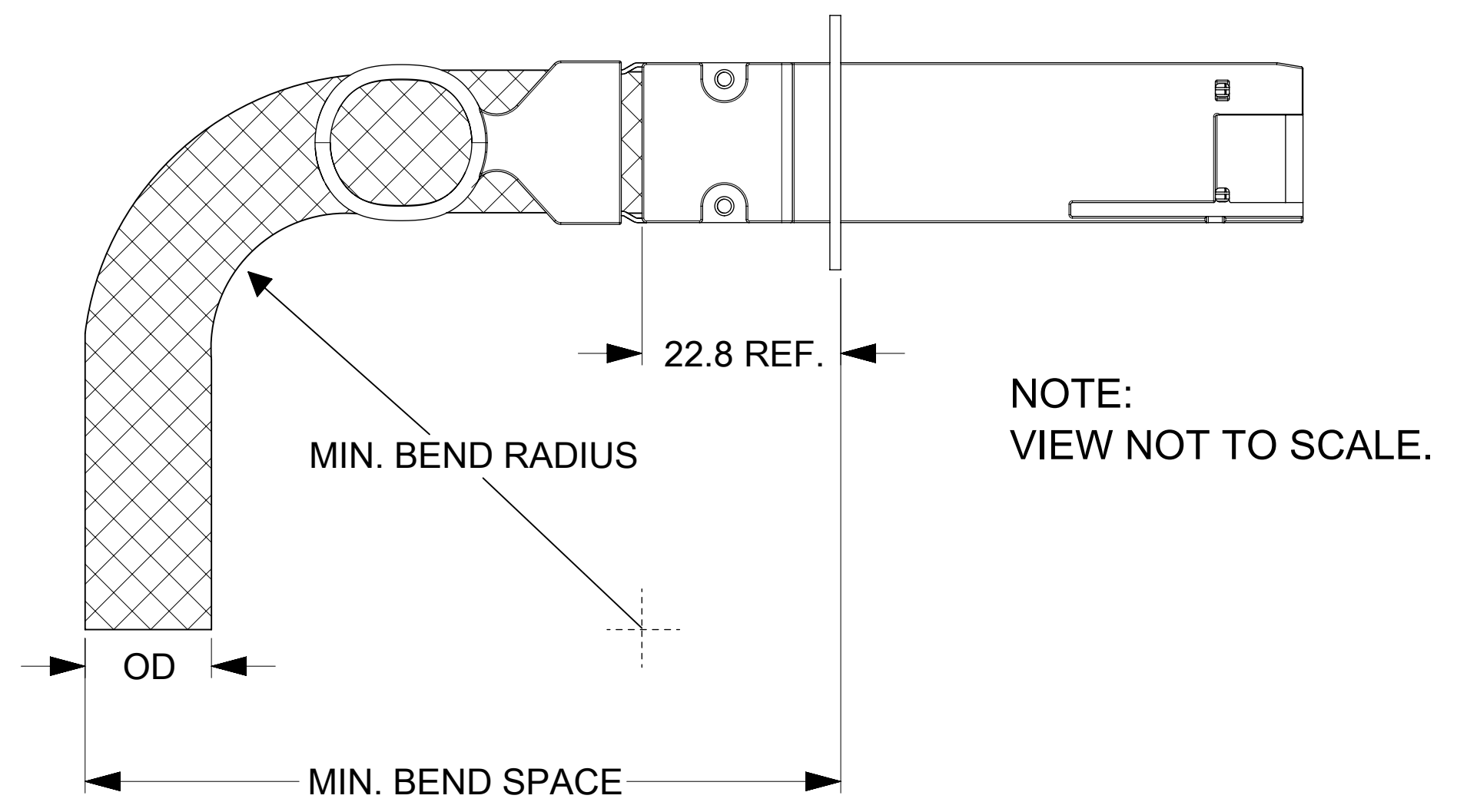
FUNCTIONAL SYMBOLS		THIS DRAWING CONTAINS INFORMATION THAT IS PROPRIETARY TO MOLEX ELECTRONIC TECHNOLOGIES, LLC AND SHOULD NOT BE USED WITHOUT WRITTEN PERMISSION		CURRENT REV DESC: SHT 4 ZONE F11 : TEXT P1 REMOVED FROM LEG ID LABEL	
FA = 0	mm	SCALE	1:1	EC NO: 713211	
FC = 0	GENERAL TOLERANCES (UNLESS SPECIFIED)		DRWN: KIRANG5 2022/07/01		
FD = 0	ANGULAR TOL ± 5.0°		CHK'D: ADITHK 2022/07/06		
DIVISIONAL SYMBOLS		4 PLACES	±	APPR: SCHANNARAYAN 2022/07/06	
		3 PLACES	±	INITIAL REVISION:	
		2 PLACES	± 0.13	DRWN: SRATKOVIC 2016/12/01	
		1 PLACE	± 0.25	APPR: ADTUCKER 2017/10/17	
		0 PLACES	±	DRAFT WHERE APPLICABLE MUST REMAIN WITHIN DIMENSIONS	
		THIRD ANGLE PROJECTION		DRAWING	SERIES
		D-SIZE		203366	203366
DOCUMENT STATUS		P1	RELEASE DATE	2022/07/06	14:30:50
DOCUMENT NUMBER		DOC TYPE		DOC PART	REVISION
2033660001		PSD		000	M
MATERIAL NUMBER		CUSTOMER		SHEET NUMBER	
SEE P/N TABLE		GENERAL MARKET		1 OF 4	

zQSFP+ CABLE BEND RADIUS

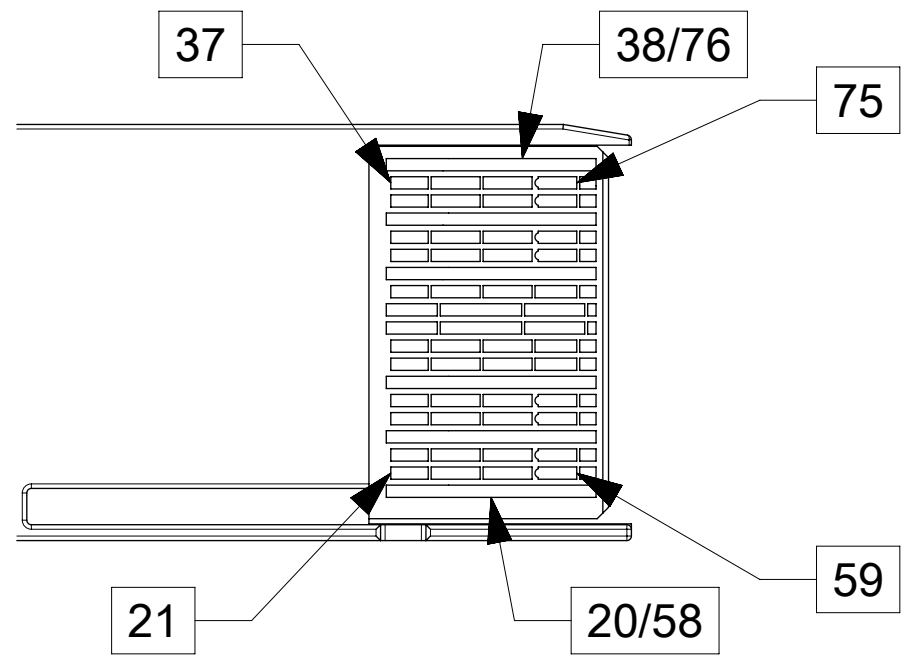


CABLE AWG	OD (mm)	MIN BEND RADIUS (mm)	MIN BEND SPACE (mm)
26	9.0	45	77
28	7.9	40	71
30	6.7	34	64

QSFP-DD CABLE BEND RADIUS

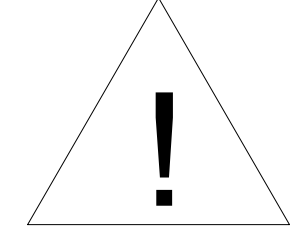


BOTTOM VIEW



TOP VIEW

CABLE AWG	OD (mm)	MIN BEND RADIUS (mm)	MIN BEND SPACE (mm)
26	(13)	(65)	(101)
28	(11)	(55)	(89)
30	(9.4)	(47)	(79)

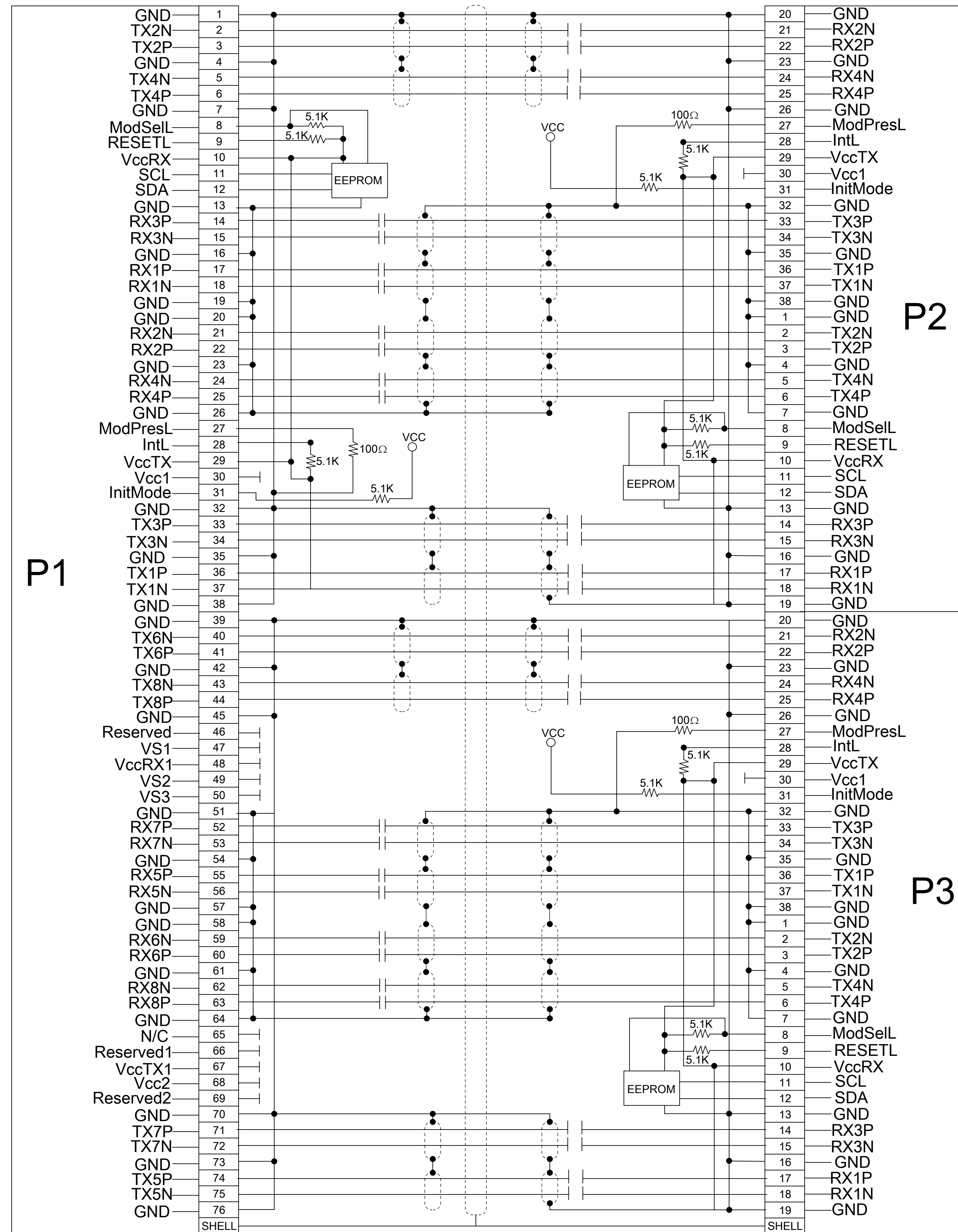


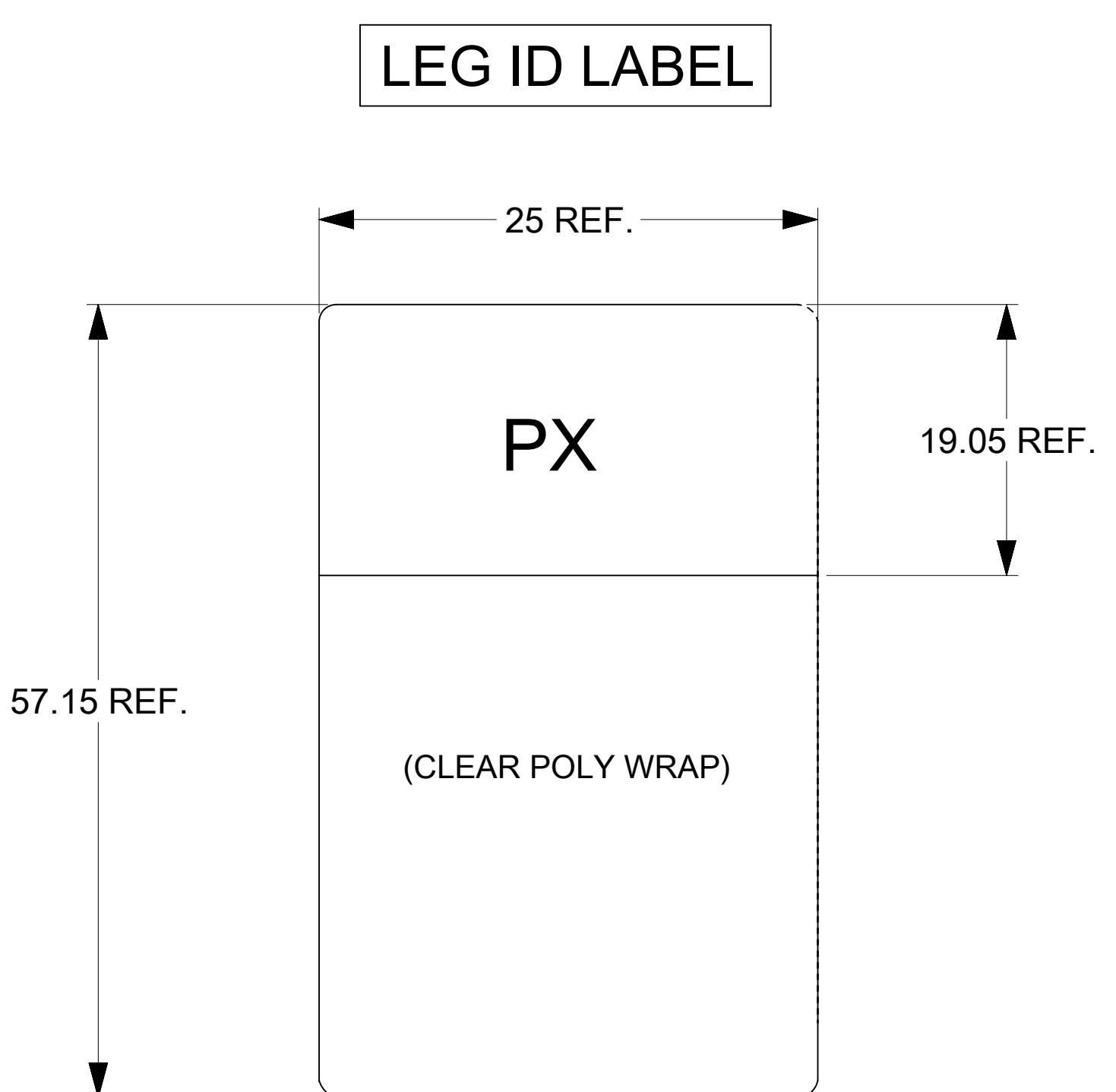
MINIMUM BEND RADIUS PENDING QUALIFICATION. NUMBERS ABOVE ARE ESTIMATES AND SUBJECT TO CHANGE.

- NOTES:**
- DC BLOCKING CAPS ON RECEIVE SIDE ONLY
 - CABLE COILED AND PACKAGED IN BEST FIT ESD BAG AND SEALED WITH ESD LABEL FOR SHIPPING

FUNCTIONAL SYMBOLS FA = 0 FC = 0 FD = 0 DIVISIONAL SYMBOLS	THIS DRAWING CONTAINS INFORMATION THAT IS PROPRIETARY TO MOLEX ELECTRONIC TECHNOLOGIES, LLC AND SHOULD NOT BE USED WITHOUT WRITTEN PERMISSION		CURRENT REV DESC: SHT 4 ZONE F11 : TEXT P1 REMOVED FROM LEG ID LABEL		
	mm	1:1	GENERAL TOLERANCES (UNLESS SPECIFIED)		
	ANGULAR TOL ± 5.0°		EC NO: 713211		
	4 PLACES ±		DRWN: KIRANG5 2022/07/01		
3 PLACES ±		CHK'D: ADITHK 2022/07/06		PRODUCT CUSTOMER DRAWING	
2 PLACES ± 0.13		APPR: SCHANNARAYAN 2022/07/06		DOCUMENT NUMBER	
1 PLACE ± 0.25		INITIAL REVISION:		DOC TYPE	
0 PLACES ±		DRWN: SRATKOVIC 2016/12/01		DOC PART	
DRAFT WHERE APPLICABLE MUST REMAIN WITHIN DIMENSIONS		APPR: ADTUCKER 2017/10/17		REVISION	
THIRD ANGLE PROJECTION		DRAWING		MATERIAL NUMBER	
D-SIZE		SERIES		CUSTOMER	
SEE P/N TABLE		203366		SHEET NUMBER	
GENERAL MARKET		2 OF 4			

WIRING DIAGRAM





MOLEX P/N	LENGTH (M)	AWG
2033661005	0.5M +/- 0.05M	30
2033661010	1.0M +/- 0.05M	30
2033661015	1.5M +/- 0.08M	30
2033661020	2.0M +/- 0.08M	30
2033663005	0.5M +/- 0.05M	28
2033663010	1.0M +/- 0.05M	28
2033663015	1.5M +/- 0.08M	28
2033663020	2.0M +/- 0.08M	28
2033663025	2.5M +/- 0.08M	28
2033663030	3.0M +/- 0.08M	26

*LENGTHS UNDER 1.0M MAY NOT MEET ALL IEEE802.3cd SPEC

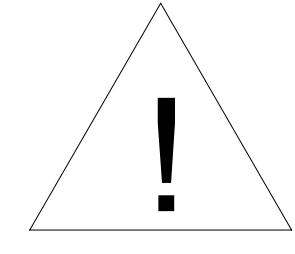
P/N: 203366XXXX - MOLEX PART NUMBER (SEE P/N TABLE)

X.XM - CABLE LENGTH IN METERS (EXAMPLES - 0.5M, 1.0M, 1.5M)

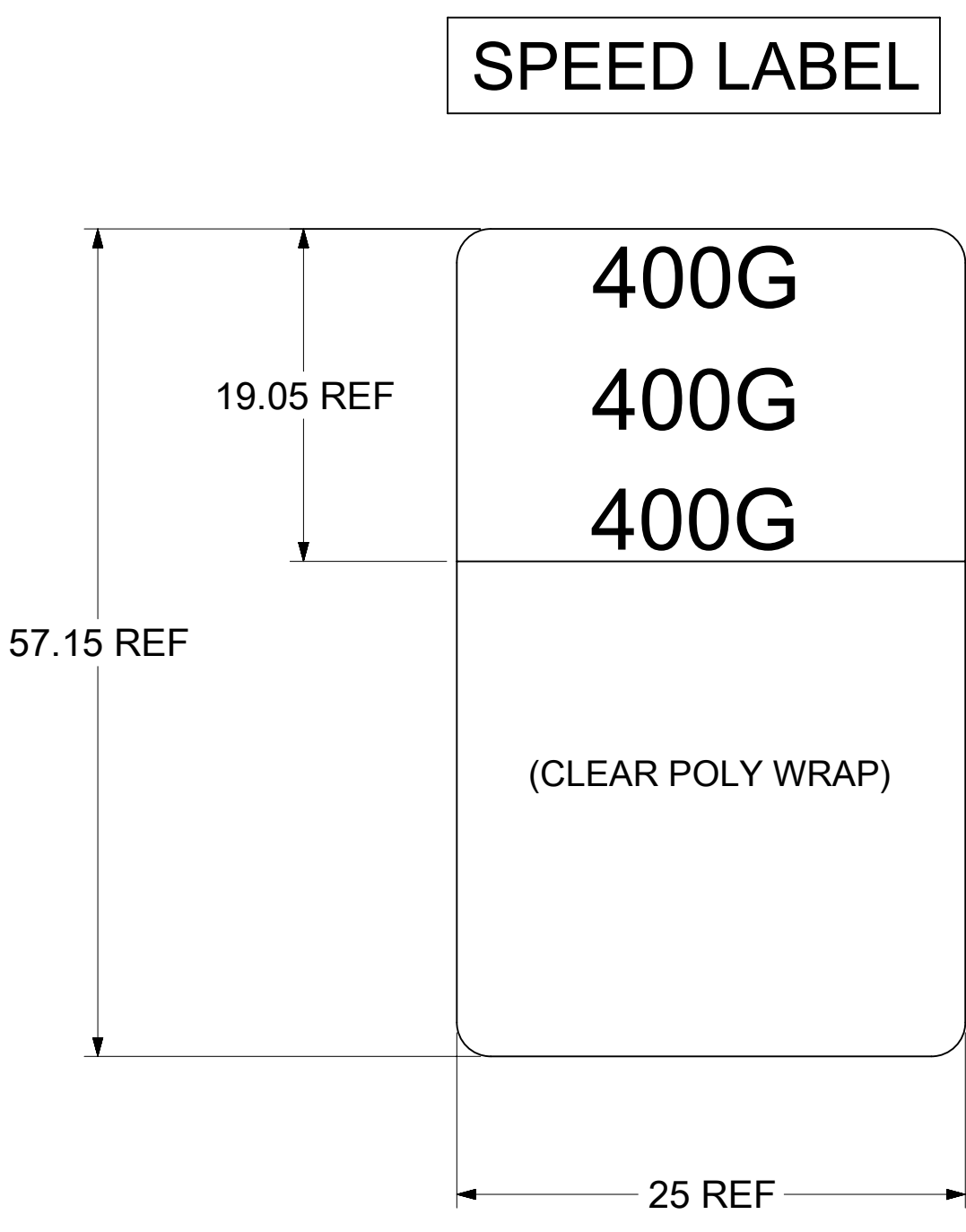
XXAWG - CABLE SIZE IN AWG

S/N: YYDDDLSSSS - SERIAL NUMBER
 YY = YEAR, THE LAST 2 DIGITS OF YEAR
 DDD = DAY OF THE YEAR
 L = LOCATION
 1 - USA
 2 - MEXICO
 3 - CHINA
 4 - PHILIPPINES
 SSSS = SERIAL NUMBER (0001-9999)

PX: P2 OR P3



TENTATIVE PROPOSAL
 PENDING ELECTRICAL QUALIFICATION



FUNCTIONAL SYMBOLS FA = 0 FC = 0 FP = 0 DIVISIONAL SYMBOLS	THIS DRAWING CONTAINS INFORMATION THAT IS PROPRIETARY TO MOLEX ELECTRONIC TECHNOLOGIES, LLC AND SHOULD NOT BE USED WITHOUT WRITTEN PERMISSION		CURRENT REV DESC: SHT 4 ZONE F11 : TEXT P1 REMOVED FROM LEG ID LABEL		
	DIMENSION UNITS	SCALE	GENERAL TOLERANCES (UNLESS SPECIFIED)		
	mm	1:1	ANGULAR TOL ± 5.0°		
	4 PLACES ±		3 PLACES ±		
3 PLACES ±		2 PLACES ± 0.13		EC NO: 713211	
2 PLACES ± 0.25		1 PLACE ±		DRWN: KIRANG5 2022/07/01	
0 PLACES ±		DRAFT WHERE APPLICABLE MUST REMAIN WITHIN DIMENSIONS		CHK'D: ADITHK 2022/07/06	
THIRD ANGLE PROJECTION		DRAWING		APPR: SCHANNARAYAN 2022/07/06	
MUST REMAIN WITHIN DIMENSIONS		D-SIZE		INITIAL REVISION: DRWN: SRATKOVIC 2016/12/01 APPR: ADTUCKER 2017/10/17	
SERIES		MATERIAL NUMBER		DOCUMENT NUMBER	
203366		SEE P/N TABLE		2033660001	
CUSTOMER		SHEET NUMBER		DOC TYPE	
GENERAL MARKET		4 OF 4		PSD 000 M	