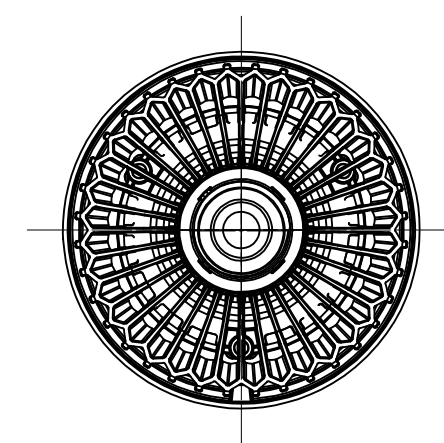
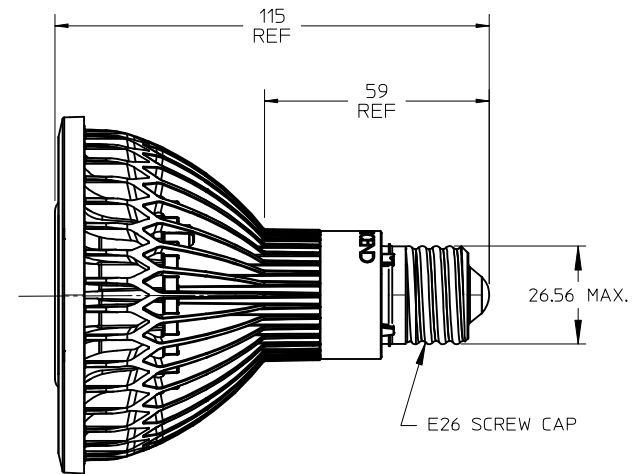
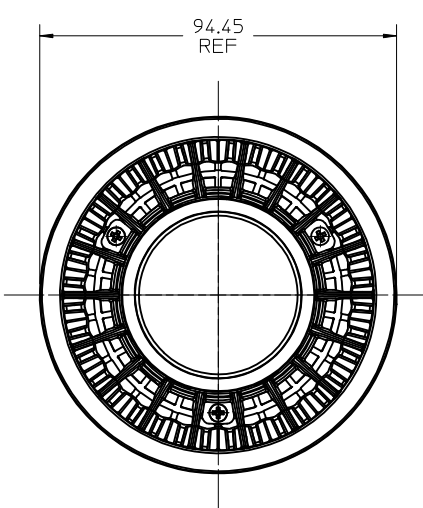
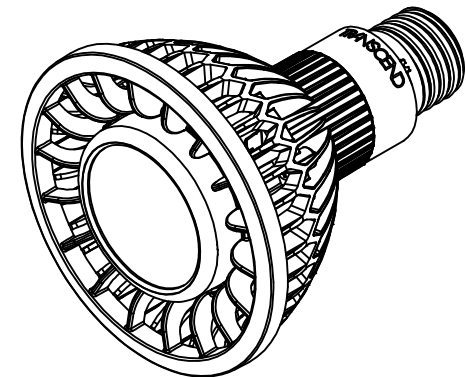


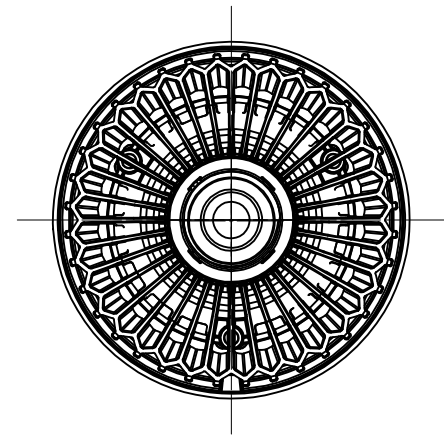
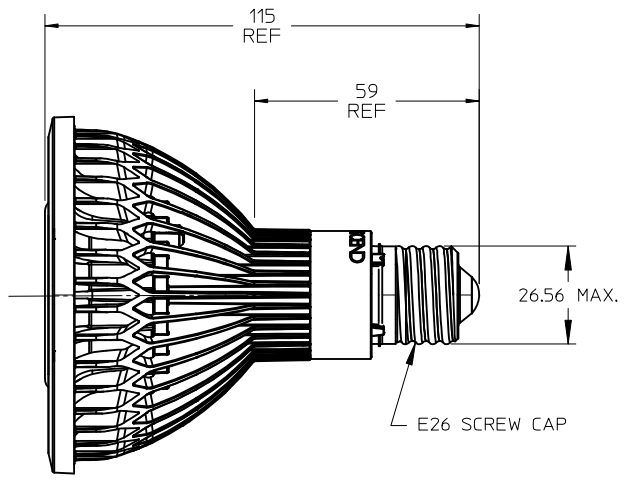
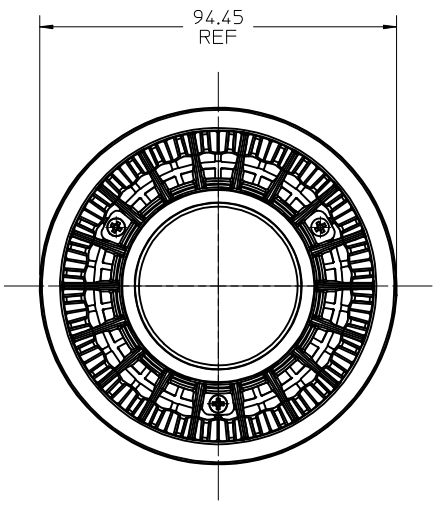
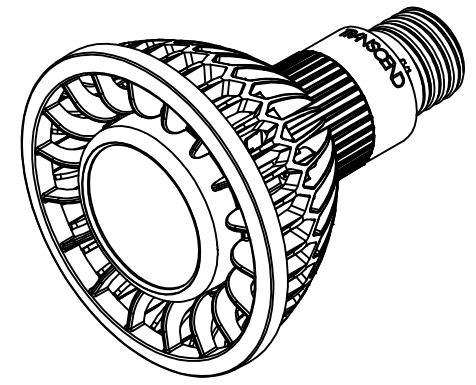
KIT MATERIAL NO.	DESCRIPTION	SPQ	PACKAGING SPECIFICATION	LAMP P/N MARKING
1801302021	PAR30-L LED LAMP IN TRAY PACKAGING	16	E-180130-900	1801302020
1801302022	PAR30-L LED LAMP IN CLAMSHELL PACKAGING	4	E-180130-901	1801302020



- NOTES:
- 1) MEETS UL 1993 TESTING FOR SELF BALLASTED LAMPS AND LAMP ADAPTERS.
 - 2) UL FILE E322950.
 - 3) OPERATING VOLTAGE: 120VOLTS @ 60HZ
 - 4) POWER CONSUMPTION: 12.5 WATTS.
 - 5) LUMEN OUTPUT: 700 LUMENS.
 - 6) COLOR TEMP: 3000K
 - 7) POWER FACTOR: GREATER THAN 0.90.
 - 8) SUITABLE FOR DAMP ENVIRONMENT.
 - 9) DO NOT USE WHERE DIRECTLY EXPOSED TO WATER.
 - 9) NOT FOR USE IN TOTALLY ENCLOSED FIXTURES.

PROD. RELEASE EC NO: SSL2013-0047 DRWNG: DACHAMME 2012/10/16 CHKD: DACHAMMER 2012/10/16 APPR: DMCGOWAN 2012/10/17	QUALITY SYMBOLS = 0 = 0 = 0	GENERAL TOLERANCES (UNLESS SPECIFIED)		DIMENSION STYLE MM ONLY	SCALE 1:1	DESIGN UNITS METRIC	THIRD ANGLE PROJECTION
		4 PLACES ± --- ± --- 3 PLACES ± --- ± --- 2 PLACES ± 0.13 ± --- 1 PLACE ± 0.25 ± ---	mm INCH	DRAWN BY: FJAKL I C DATE: 2011/03/24 CHECKED BY: DATE: ACHAMMER 2011/11/15 APPROVED BY: DATE: DMCGOWAN 2011/11/29	TITLE TRANSCEND PAR30-L LED LAMP		MOLEX INCORPORATED
REV B	DESCRIPTION DRAFT WHERE APPLICABLE MUST REMAIN WITHIN DIMENSIONS	ANGULAR ±1/2°		SEE CHART	DOCUMENT NO. SD-180130-001		THIS DRAWING CONTAINS INFORMATION THAT IS PROPRIETARY TO MOLEX INCORPORATED AND SHOULD NOT BE USED WITHOUT WRITTEN PERMISSION

KIT MATERIAL NO.	DESCRIPTION	SPQ	PACKAGING SPECIFICATION	LAMP P/N MARKING
1801302021	PAR30-L LED LAMP IN TRAY PACKAGING	16	E-180130-900	1801302020
1801302022	PAR30-L LED LAMP IN CLAMSHELL PACKAGING	4	E-180130-901	1801302020



- NOTES:
- 1) MEETS UL 1993 TESTING FOR SELF BALLASTED LAMPS AND LAMP ADAPTERS.
 - 2) UL FILE E322950.
 - 3) OPERATING VOLTAGE: 120VOLTS @ 60HZ
 - 4) POWER CONSUMPTION: 12.5 WATTS.
 - 5) LUMEN OUTPUT: 700 LUMENS.
 - 6) COLOR TEMP: 3000K
 - 7) POWER FACTOR: GREATER THAN 0.90.
 - 8) SUITABLE FOR DAMP ENVIRONMENT.
 - 9) DO NOT USE WHERE DIRECTLY EXPOSED TO WATER.
 - 9) NOT FOR USE IN TOTALLY ENCLOSED FIXTURES.

PROD. RELEASE EC NO: SSL2013-0047 DRWNG: DACHAMME 2012/10/16 CHKD: DACHAMMER 2012/10/16 APPR: DMCGOWAN 2012/10/17	QUALITY SYMBOLS 	GENERAL TOLERANCES (UNLESS SPECIFIED)		DIMENSION STYLE MM ONLY	SCALE 1:1	DESIGN UNITS METRIC	THIRD ANGLE PROJECTION
		4 PLACES ± --- ± --- 3 PLACES ± --- ± --- 2 PLACES ± 0.13 ± --- 1 PLACE ± 0.25 ± ---	mm INCH	DRAWN BY: FJAKL I C DATE: 2011/03/24 CHECKED BY: DATE: ACHAMMER 2011/11/15 APPROVED BY: DATE: DMCGOWAN 2011/11/29	TITLE TRANSCEND PAR30-L LED LAMP		
REV B	DESCRIPTION DRAFT WHERE APPLICABLE MUST REMAIN WITHIN DIMENSIONS	ANGULAR ±1/2°		MATERIAL NO. SEE CHART	MOLEX INCORPORATED	DOCUMENT NO. SD-180130-001	SHEET NO. 1 OF 1