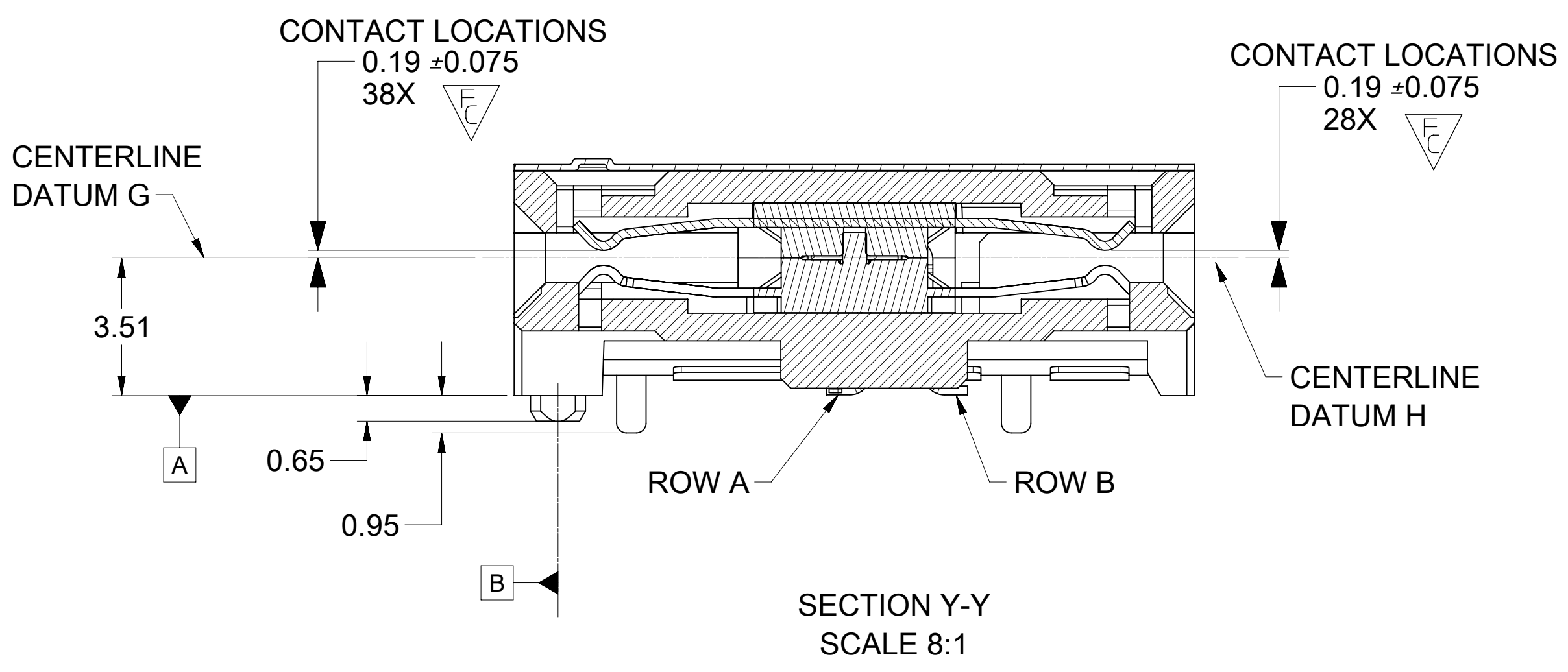
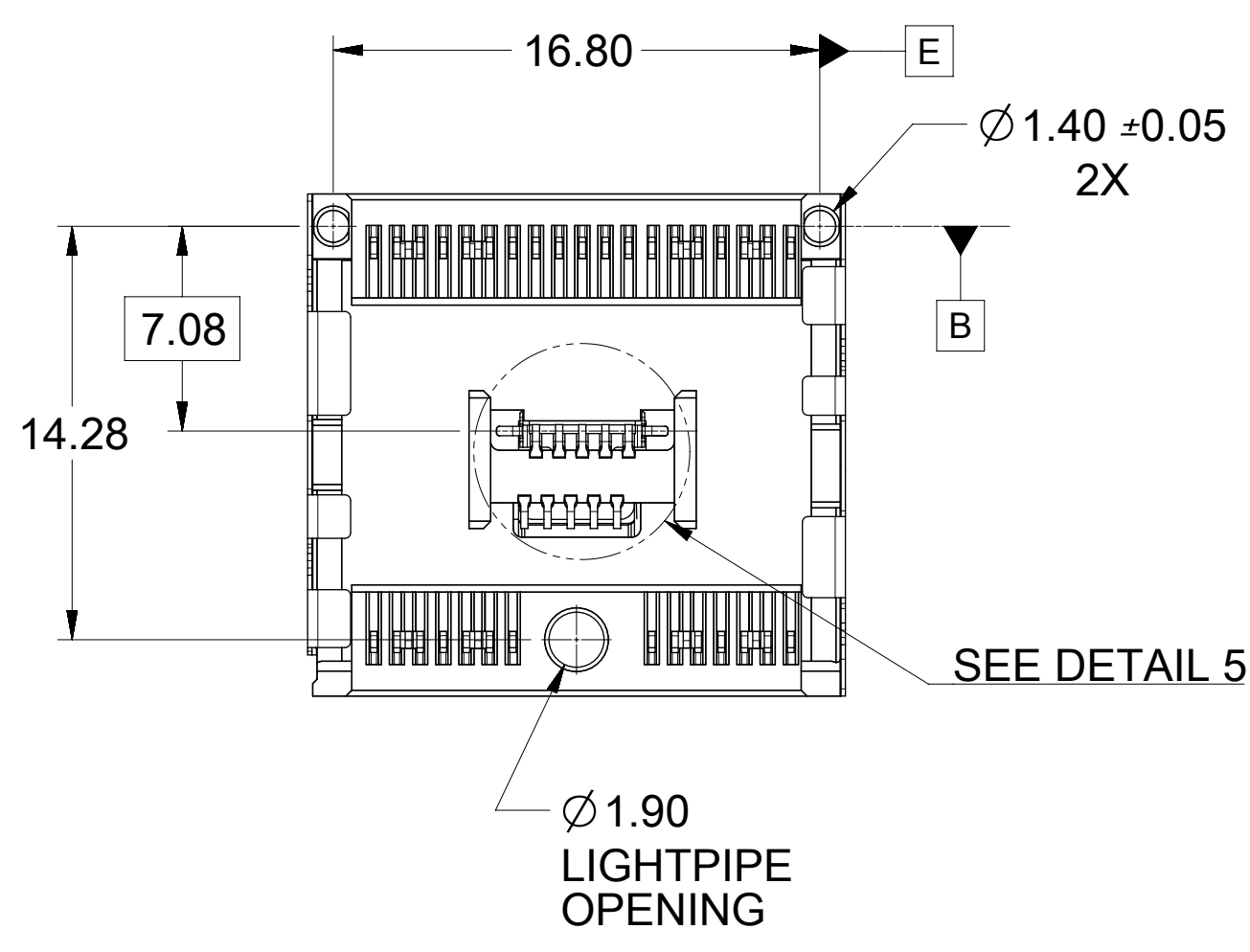
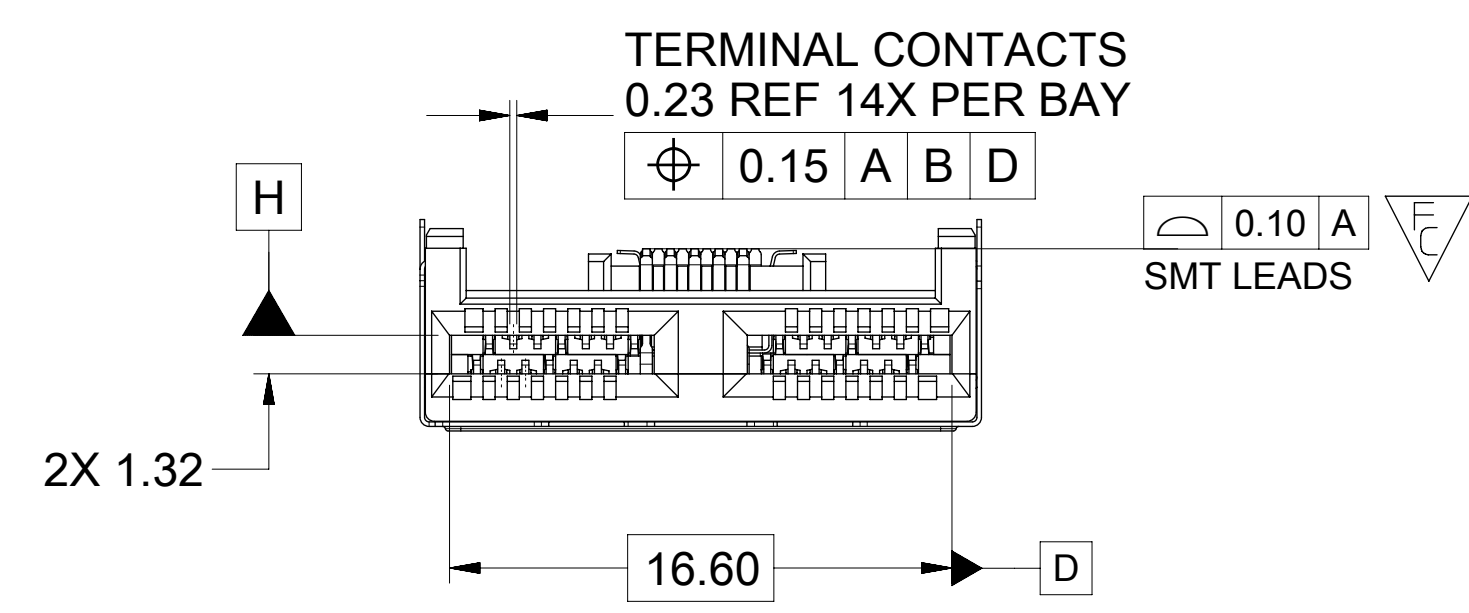


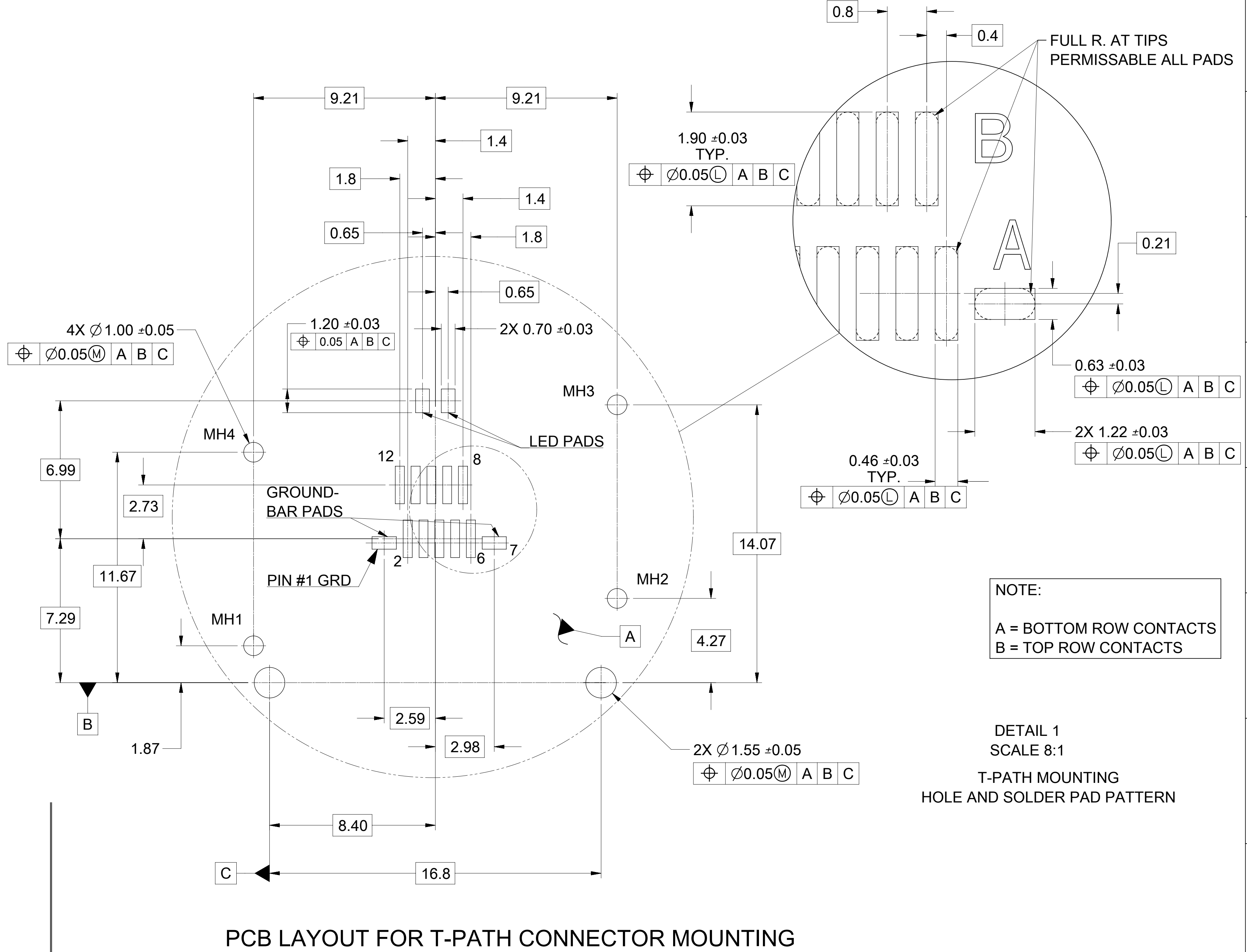
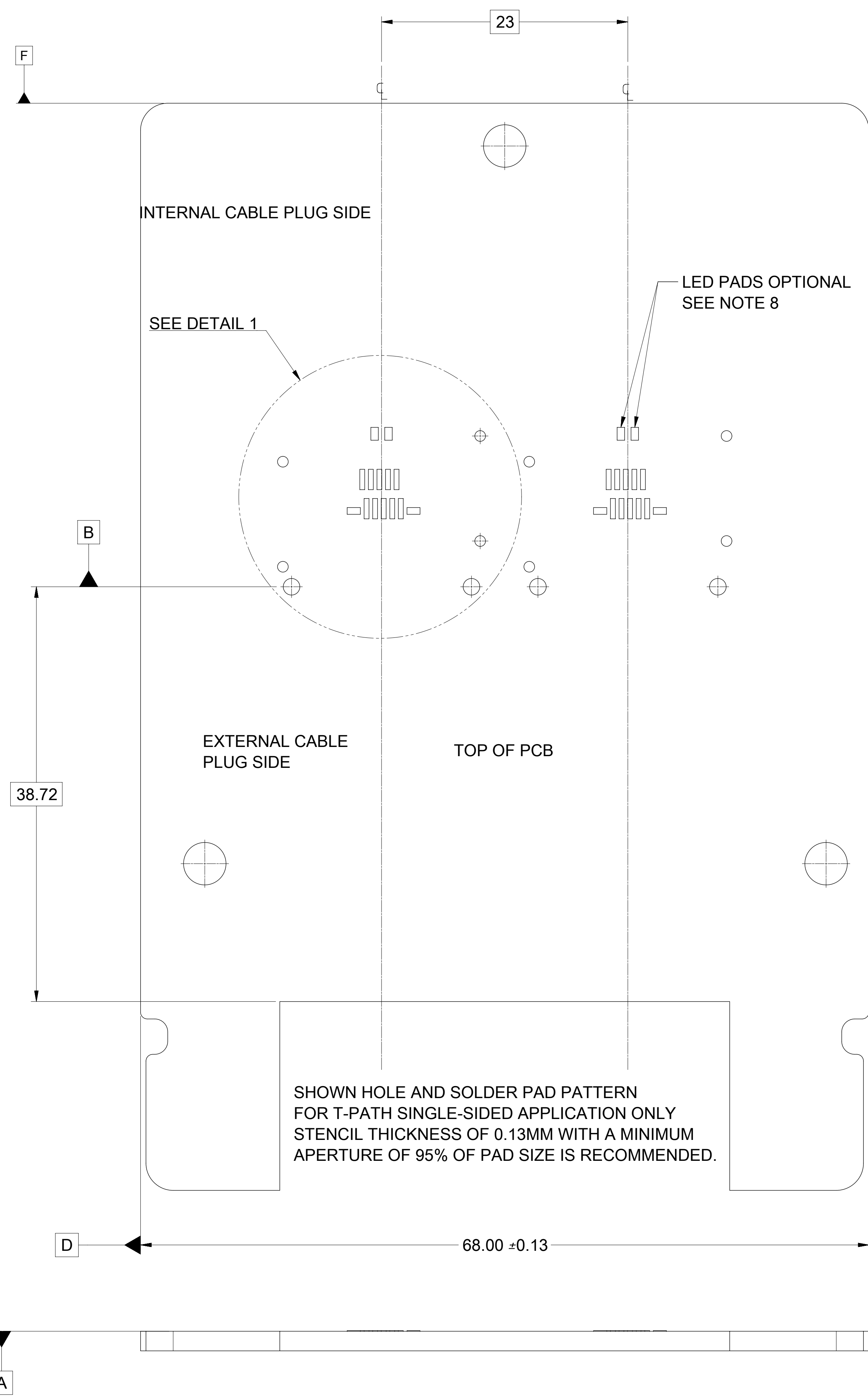
172604-0002
HARDTOP
T-PATH CONNECTOR
ASSEMBLY



- NOTES:
- MATERIAL - HOUSING - HALOGEN FREE GLASS FILLED, LCP UL 94V-0, COLOR: BLACK
SHELLS: 0.15 THICK NICKEL-SILVER ALLOY, UNPLATED
TERMINALS - HIGH PERFORMANCE COPPER ALLOY
 - PLATING - CONTACT AREA - 0.76 µm MIN GOLD OVER 2.54 µm NICKEL
SOLDER AREA - 2.54 -5.09 µm TIN OVER 2.54 µm MIN NICKEL
 - DATE CODE: 4 DIGIT (3 DIGIT DAY, 1 DIGIT YEAR)
 - CONFORMS TO PRODUCT SPECIFICATION: PS-172604-001
 - CONNECTOR ASSEMBLY IS RoHS AND LOW HALOGEN COMPLIANT
 - DIMENSIONS AND TOLERANCES CONFORM TO AMSE Y14.5 2009
 - LED IS OPTIONAL. RECOMMENDED LED PACKAGE: 1608/0603 0.4mm HIGH MAX.
 - PACKAGING: TAPE AND REEL PER PK-172604-9001.
 - CONNECTOR TO BE USED IN CONJUNCTION WITH EMI CAGES SHOWN ON DRAWING SD-172604-2100
 - IFP CABLE PLUG TO HAVE 1.0mm THICK PCB.



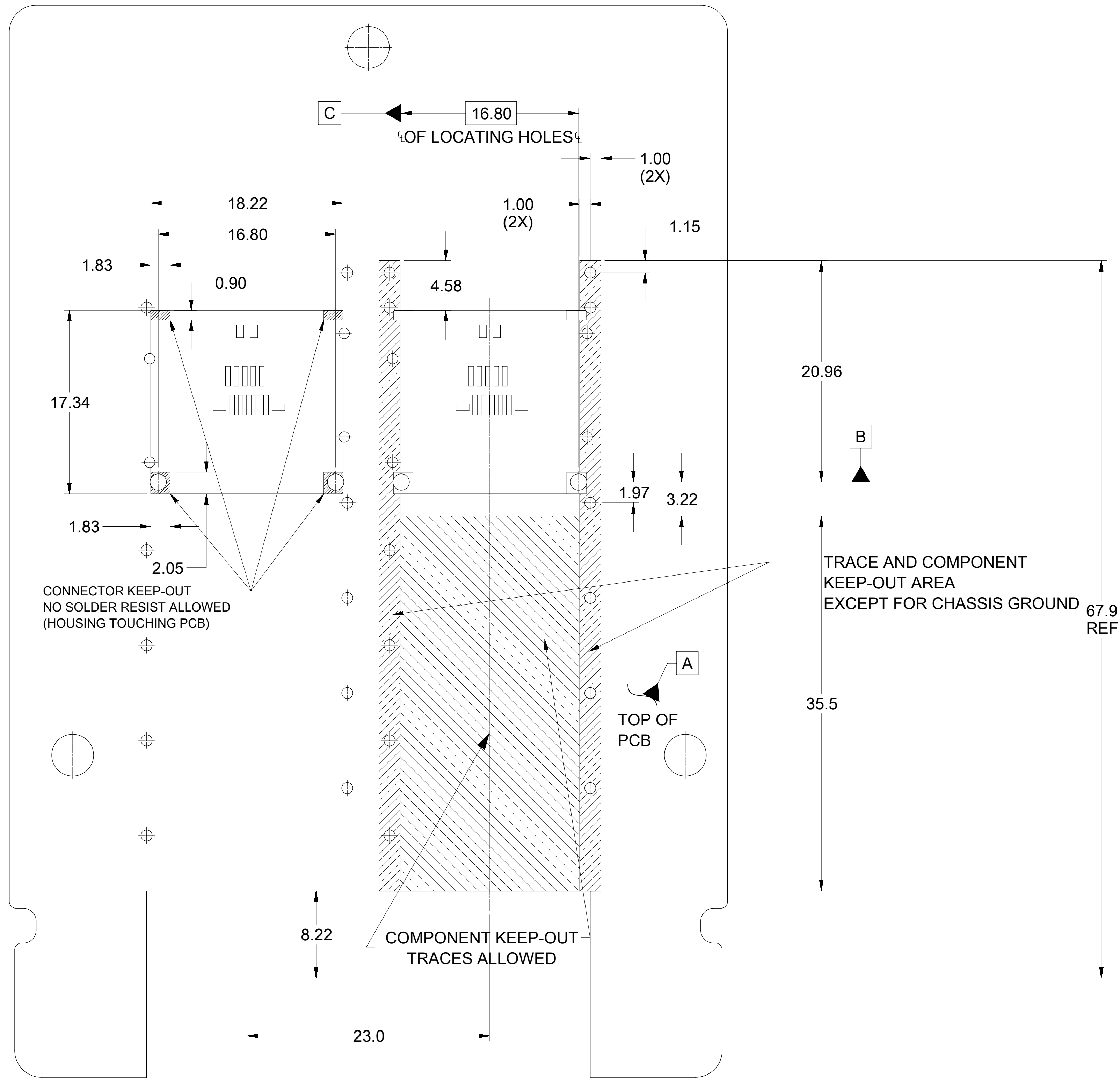
QUALITY SYMBOLS	THIS DRAWING CONTAINS INFORMATION THAT IS PROPRIETARY TO MOLEX ELECTRONIC TECHNOLOGIES, LLC AND SHOULD NOT BE USED WITHOUT WRITTEN PERMISSION				
	REV TAIL POSITIONS	GENERAL TOLERANCES (UNLESS SPECIFIED)	DIMENSION UNITS	SCALE	
▽ = 0	2017/09/05	MM ONLY	MM ONLY	4:1	
▽ = 3	2018/10/01	ANGULAR TOL ± 0.5 °	DRWN BY	DATE	
▽ = 0	2018/10/04	4 PLACES ±	MWOLFE	2016/07/01	
▽ = 0		3 PLACES ±	CHKD BY	DATE	
▽ = 0		2 PLACES ± 0.13	APPR BY	DATE	
▽ = 0		1 PLACE ± 0.25	SMILLER	2017/05/19	
▽ = 0		0 PLACES ±	DRAWING SIZE	THIRD ANGLE PROJECTION	
▽ = 0		DRAFT WHERE APPLICABLE MUST REMAIN WITHIN DIMENSIONS	D		
REV TAIL POSITIONS		SERIES		PRODUCT CUSTOMER DRAWING	
EC NO: 605274	DRWN: ABN	CHKD: MSTRACK	2017/09/05	SERIES	MATERIAL NUMBER
REV APPR: RNELSON				172604	172604-0002
				DOCUMENT NUMBER	DOC TYPE
				SD-172604-0002	PSD
				DOC PART	SHEET NUMBER
				001	1 OF 3



PCB LAYOUT FOR T-PATH CONNECTOR MOUNTING

FRONT OF CONNECTOR (PLUG MODULE SIDE)

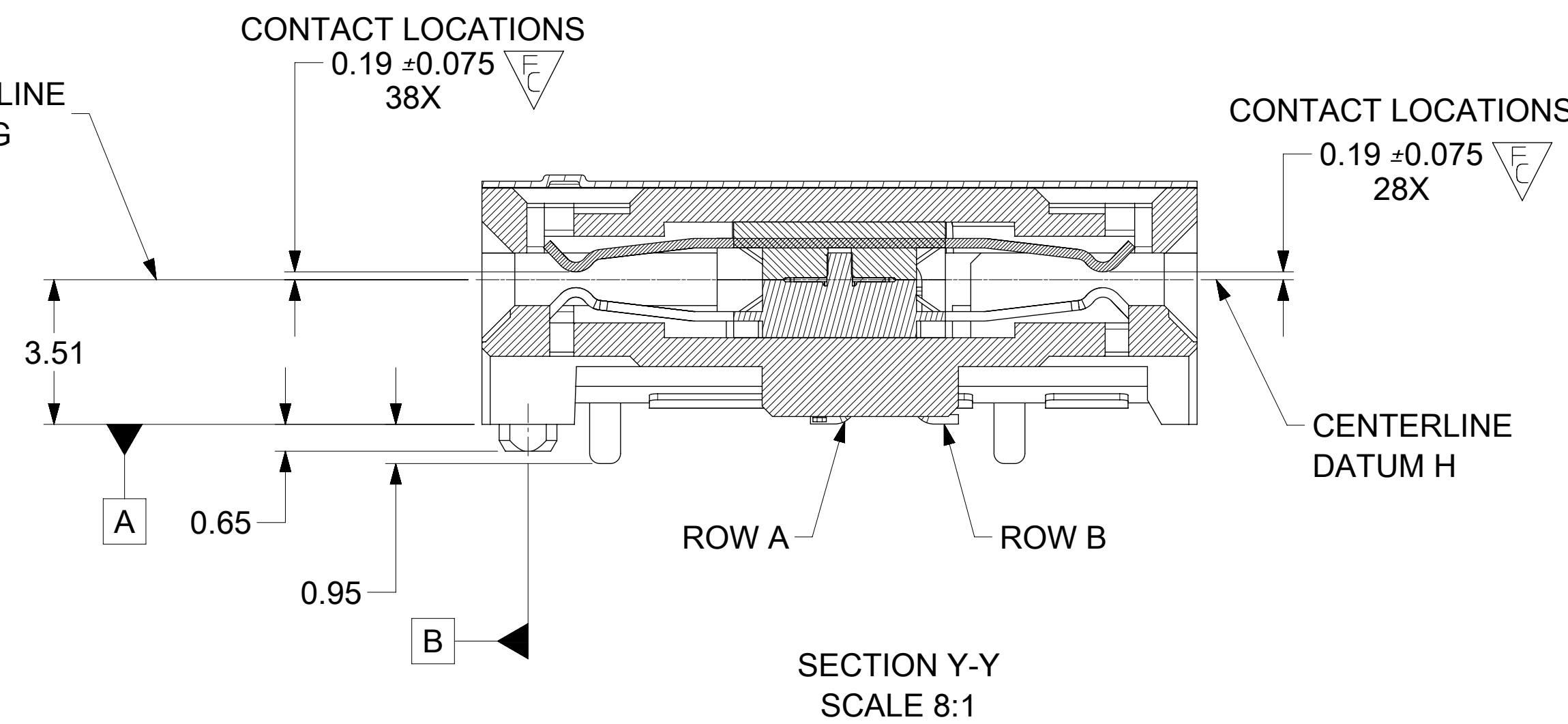
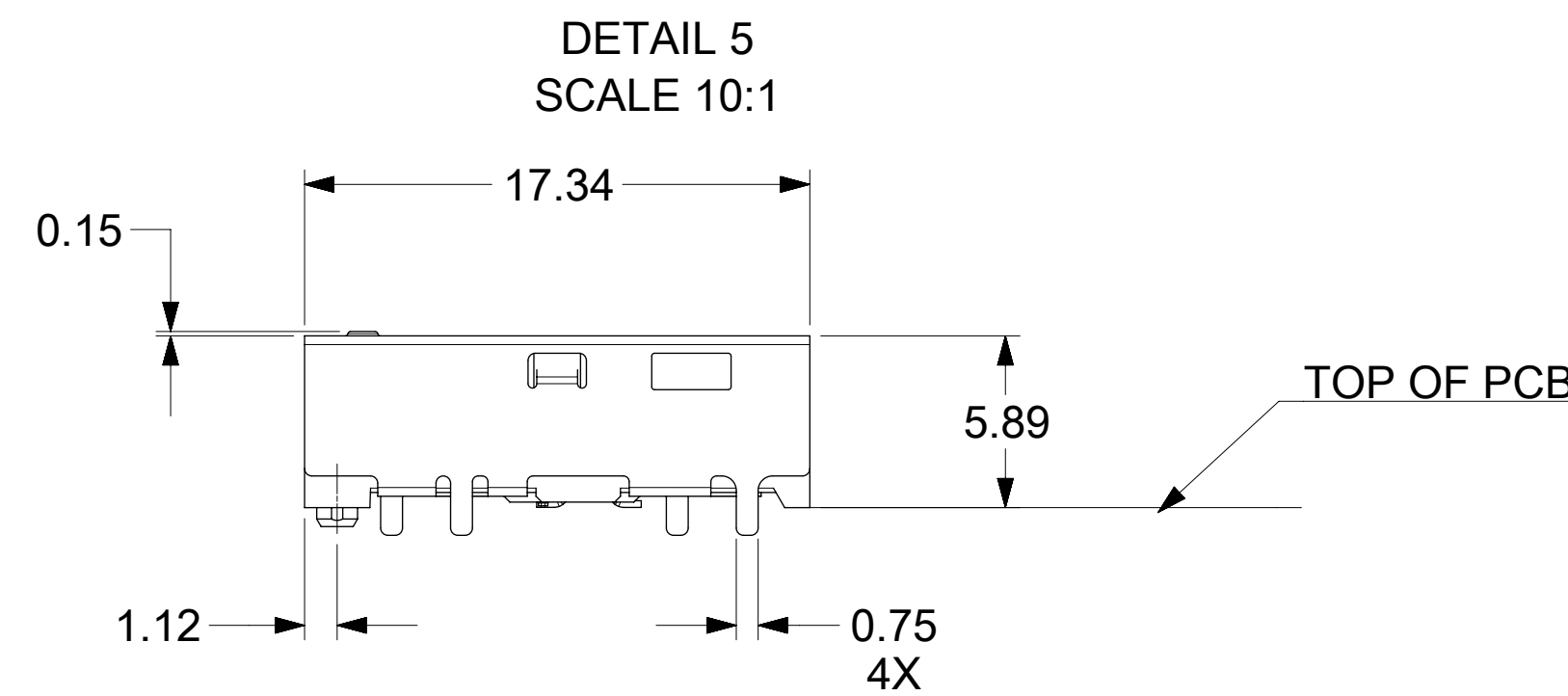
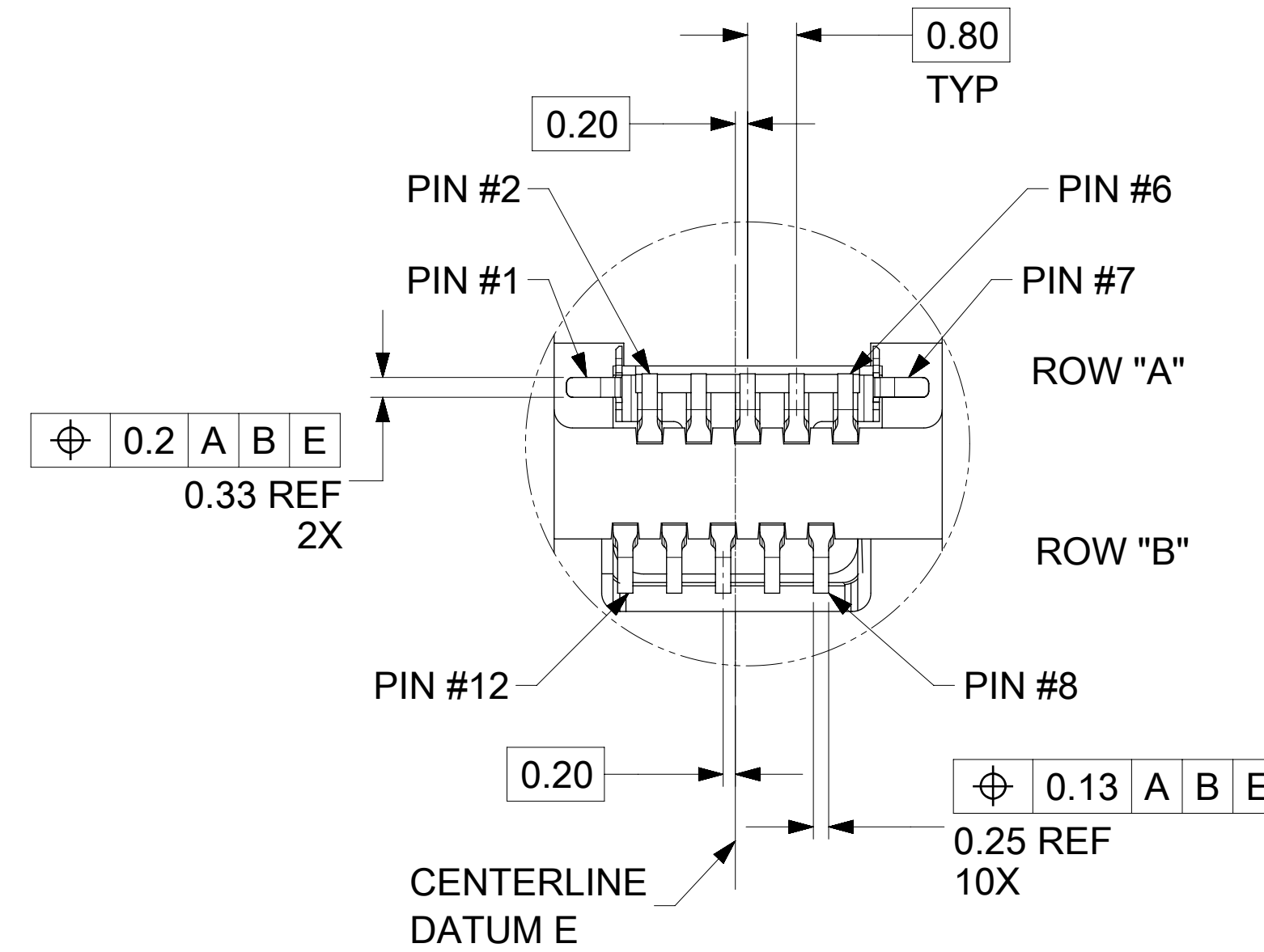
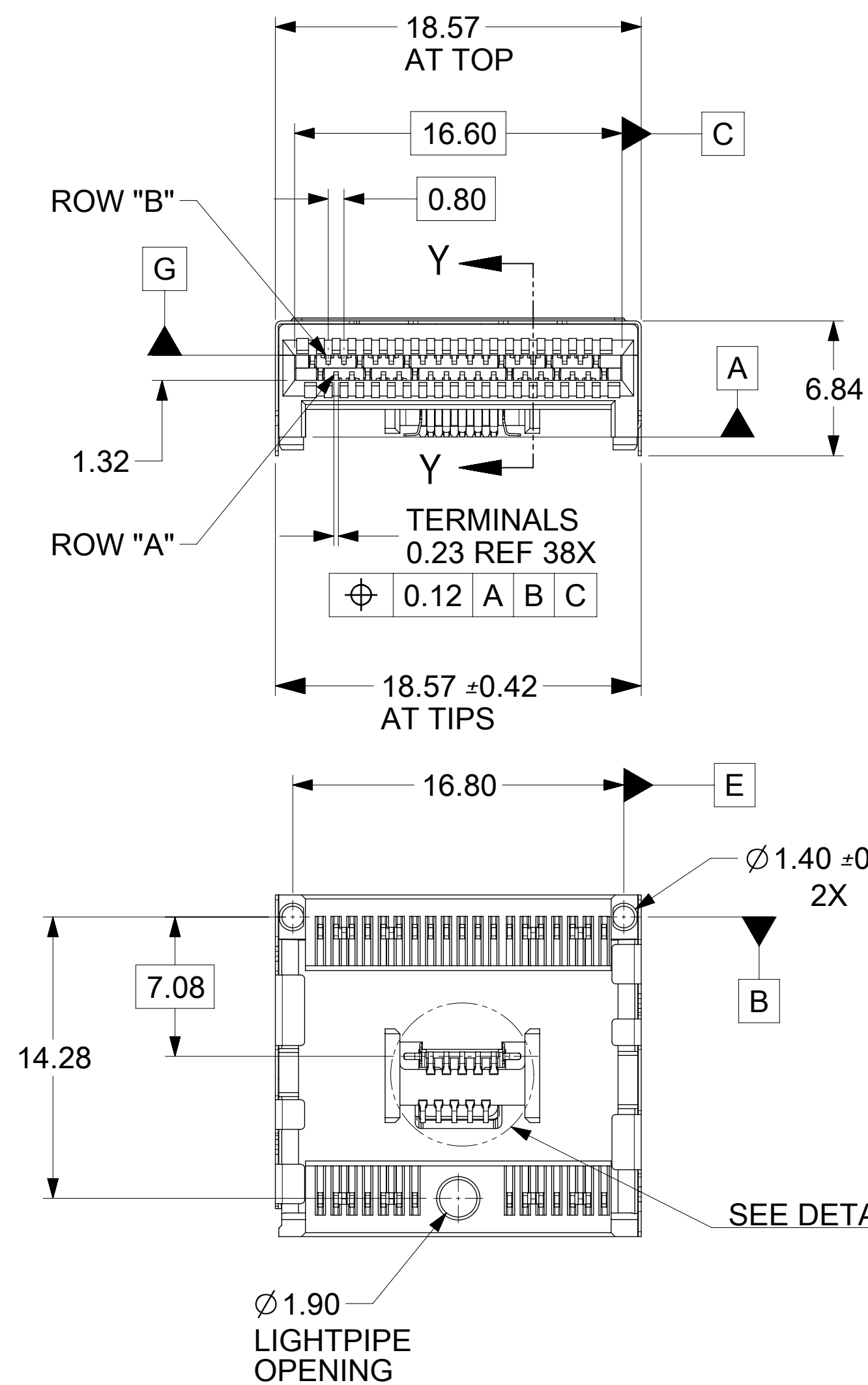
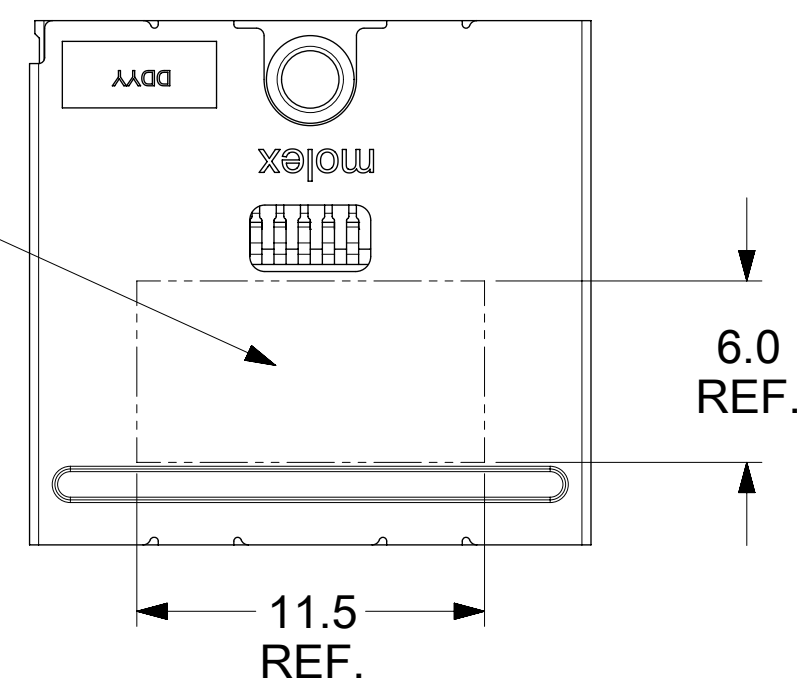
QUALITY SYMBOLS ▽ = 0 ▽ = 0 ▽ = 0 ▽ = 0 ▽ = 0 ▽ = 0 ▽ = 0 ▽ = 0 ▽ = 0 ▽ = 0 ▽ = 0 ▽ = 0 ▽ = 0	THIS DRAWING CONTAINS INFORMATION THAT IS PROPRIETARY TO MOLEX ELECTRONIC TECHNOLOGIES, LLC AND SHOULD NOT BE USED WITHOUT WRITTEN PERMISSION		DIMENSION UNITS MM ONLY	SCALE 4:1		
	GENERAL TOLERANCES (UNLESS SPECIFIED) ANGULAR TOL ± 0.5 ° 4 PLACES ± 3 PLACES ± 2 PLACES ± 0.13 1 PLACE ± 0.25 0 PLACES ± DRAFT WHERE APPLICABLE MUST REMAIN WITHIN DIMENSIONS	DRWN BY MWOLFE	DATE 2016/07/01	CHKD BY SMILLER		DATE 2017/05/19
EC NO: 605274 DRWN: ABN CHKD: MSTRACK REV APPR: RNELSON	REV TAIL POSITIONS 2017/09/05 2018/10/01 2018/10/04	DRAWING SIZE D	THIRD ANGLE PROJECTION	SERIES 172604	MATERIAL NUMBER 172604-0002	CUSTOMER GENERAL
RELEASE STATUS P1	RELEASE DATE 2018/10/04 14:05:16	DOCUMENT NUMBER SD-172604-0002	DOC TYPE PSD	DOC PART 001	SHEET NUMBER 2 OF 3	



**T-PATH CONNECTOR AND EMI CAGE
KEEP-OUT ZONES**

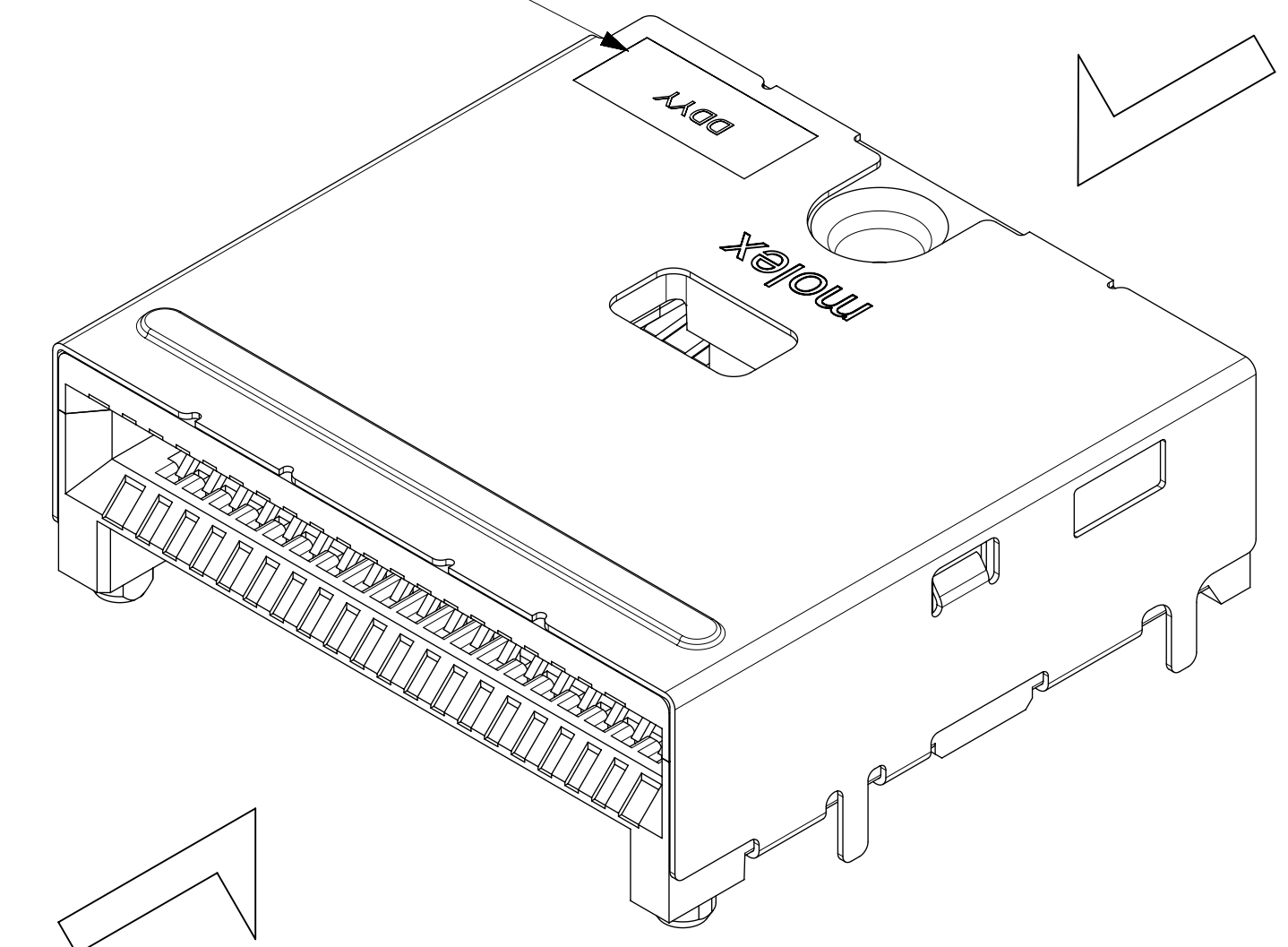
QUALITY SYMBOLS 	THIS DRAWING CONTAINS INFORMATION THAT IS PROPRIETARY TO MOLEX ELECTRONIC TECHNOLOGIES, LLC AND SHOULD NOT BE USED WITHOUT WRITTEN PERMISSION									
	REV TAIL POSITIONS EC NO: 605274 DRWN: ABN CHKD: MSTRACK REV APPR: RNELSON	2017/09/05	GENERAL TOLERANCES (UNLESS SPECIFIED)		DIMENSION UNITS	SCALE				
		2018/10/01	ANGULAR TOL ± 0.5 °		MM ONLY	4:1				
		2018/10/04	4 PLACES ±	DRWN BY	DATE		T-PATH CONNECTOR HARDTOP ASSEMBLY			
			3 PLACES ±	MWOLFE	2016/07/01					
			2 PLACES ± 0.13	CHKD BY	DATE					
		1 PLACE ± 0.25	APPR BY	DATE		PRODUCT CUSTOMER DRAWING				
		0 PLACES ±	SMILLER	2017/05/19						
		DRAFT WHERE APPLICABLE MUST REMAIN WITHIN DIMENSIONS	DRAWING SIZE	THIRD ANGLE PROJECTION		SERIES	MATERIAL NUMBER	CUSTOMER		
			D			172604	172604-0002	GENERAL		
					DOCUMENT NUMBER	DOC TYPE	DOC PART	SHEET NUMBER		
					SD-172604-0002	PSD	001	3 OF 3		

VACUUM PICK-UP AREA



DATE CODE
SEE NOTE 3

IFP CABLE PLUG SIDE

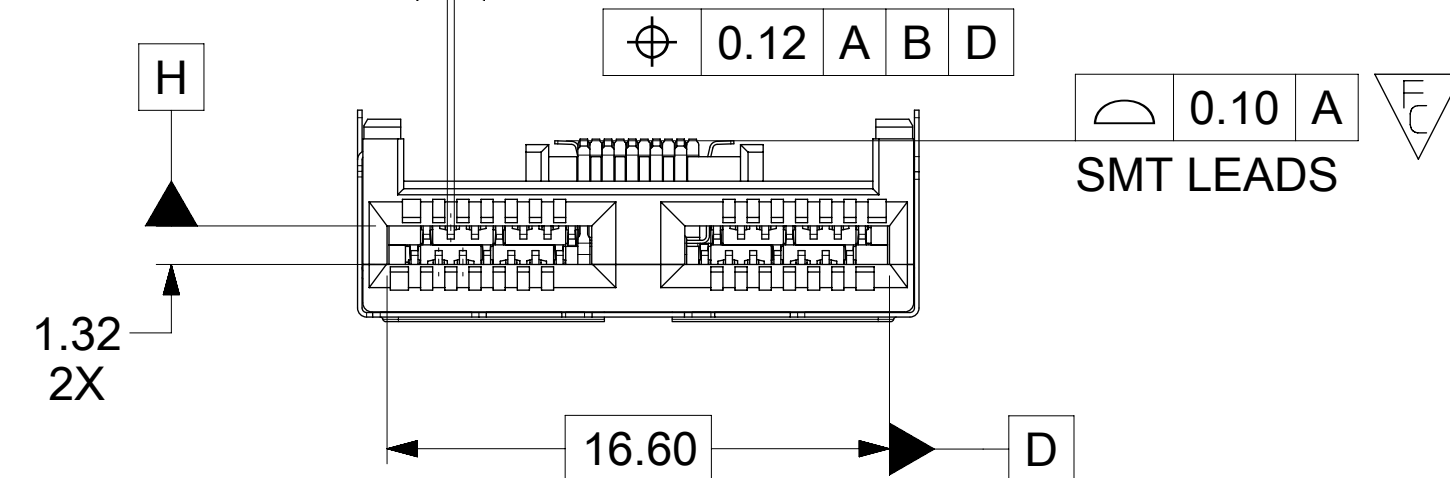


QSFP+ 28 CABLE PLUG SIDE

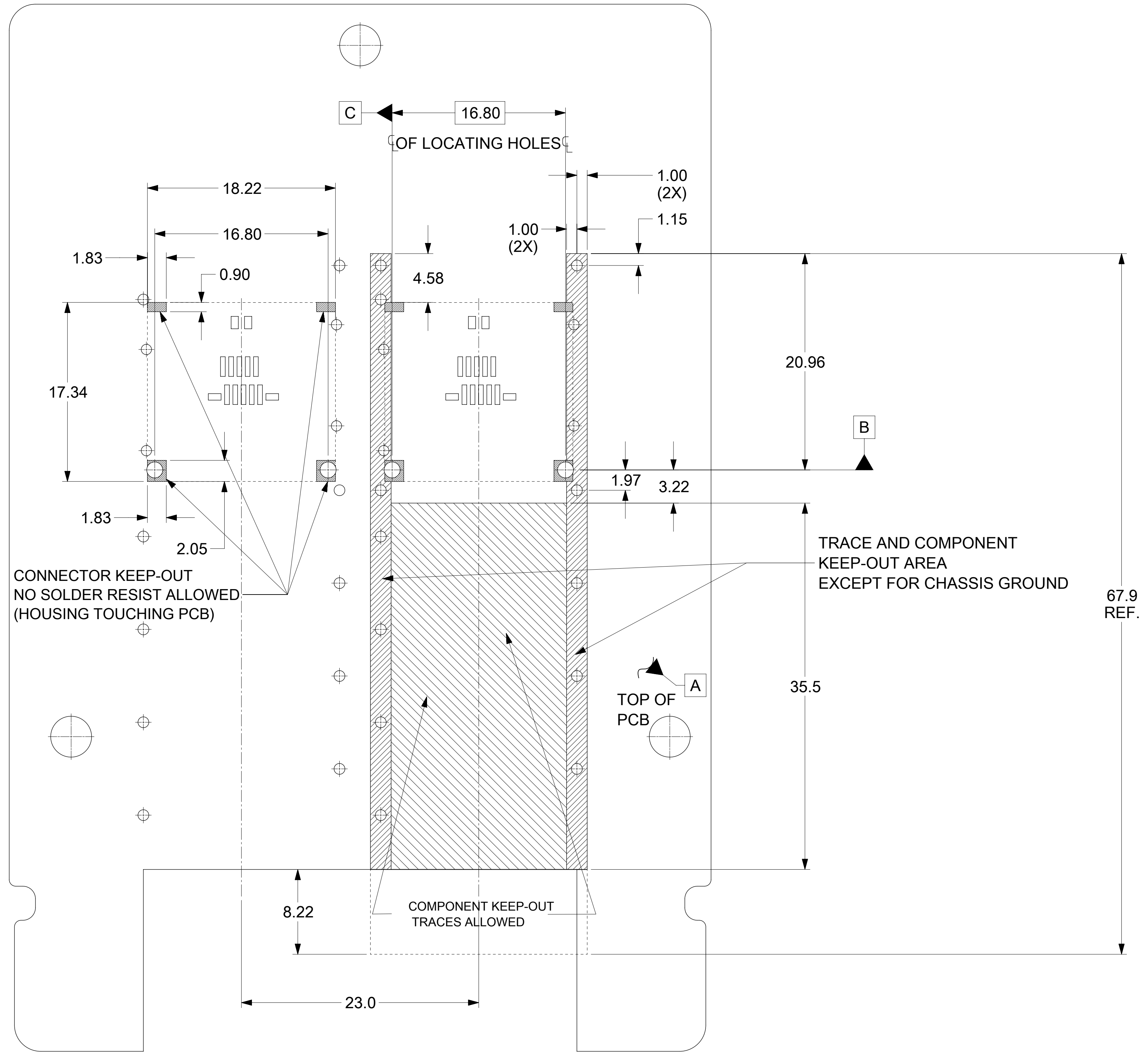
NOTES:

- MATERIAL -
HOUSING - HALOGEN FREE GLASS FILLED, LCP
UL 94V-0, COLOR: BLACK
SHELLS: 0.15 THICK NICKEL-SILVER ALLOY, UNPLATED
TERMINALS - HIGH PERFORMANCE COPPER ALLOY
- PLATING -
CONTACT AREA - 0.76 μm MIN GOLD OVER 2.54 μm NICKEL
SOLDER AREA - 2.54 - 5.09 μm TIN OVER 2.54 μm MIN NICKEL
- DATE CODE: 4 DIGIT (3 DIGIT DAY, 1 DIGIT YEAR)
- CONFORMS TO PRODUCT SPECIFICATION: PS-172604-0001
- CONNECTOR ASSEMBLY IS RoHS AND LOW HALOGEN COMPLIANT
- DIMENSIONS AND TOLERANCES CONFORM TO AMSE Y14.5 2009
- LED IS OPTIONAL. RECOMMENDED LED PACKAGE: 1608/0603 0.4mm HIGH MAX.
- PACKAGING: TAPE AND REEL. PER PK-172604-9001.
- CONNECTOR TO BE USED IN CONJUNCTION WITH EMI CAGES SHOWN ON DRAWING SD-172604-2100
- IFP CABLE PLUG TO HAVE 1.0mm THICK PCB.

TERMINAL CONTACTS
0.23 REF 14X PER BAY



THIS DRAWING CONTAINS INFORMATION THAT IS PROPRIETARY TO MOLEX ELECTRONIC TECHNOLOGIES, LLC AND SHOULD NOT BE USED WITHOUT WRITTEN PERMISSION										
QUALITY SYMBOLS	GENERAL TOLERANCES (UNLESS SPECIFIED)		DIMENSION UNITS	SCALE						
∇ = 0 ∇ = 3 ∇ = 0 ∇ = 0 ∇ = 0 ∇ = 0 ∇ = 0 ∇ = 0	mm		4:1							
REV TAIL POSITIONS	EC NO: 170877	DRWN: ABN	CHKD: SVANG01	REV APPR: SMILLER	DRWN BY	DATE	PRODUCT CUSTOMER DRAWING			
					MWOLFE	2017/05/12	T-PATH CONNECTOR HARDTOP ASSEMBLY			
					CHKD BY	DATE	SERIES MATERIAL NUMBER CUSTOMER			
					BBARKER	2017/05/12	172604	172604-0003	GENERAL	
					APPR BY	DATE	DOCUMENT NUMBER DOC TYPE DOC PART SHEET NUMBER			
					SMILLER	2017/05/19	SD-172604-0003	PSD	001	1 OF 3
					DRAWING SIZE	THIRD ANGLE PROJECTION				
					D					
					DRAFT WHERE APPLICABLE MUST REMAIN WITHIN DIMENSIONS					



**T-PATH CONNECTOR AND EMI CAGE
KEEP-OUT ZONES**

QUALITY SYMBOLS □ = 0 ▽ = 0 ▽ = 0 ▽ = 0 ▽ = 0 ▽ = 0 ▽ = 0 ▽ = 0 ▽ = 0 ▽ = 0 ▽ = 0	THIS DRAWING CONTAINS INFORMATION THAT IS PROPRIETARY TO MOLEX ELECTRONIC TECHNOLOGIES, LLC AND SHOULD NOT BE USED WITHOUT WRITTEN PERMISSION											
	REV TAIL POSITIONS EC NO: 170877 DRWN: ABN CHKD: SVANG01 REV APPR: SMILLER		2018/01/09 2018/01/15 2018/01/24		GENERAL TOLERANCES (UNLESS SPECIFIED) ANGULAR TOL ± 0.5 ° 4 PLACES ± 3 PLACES ± 2 PLACES ± 0.13 1 PLACE ± 0.25 0 PLACES ± DRAFT WHERE APPLICABLE MUST REMAIN WITHIN DIMENSIONS		DIMENSION UNITS: mm SCALE: 4:1 DRWN BY: MWOLFE DATE: 2017/05/12 CHKD BY: BBARKER DATE: 2017/05/12 APPR BY: SMILLER DATE: 2017/05/19				T-PATH CONNECTOR HARDTOP ASSEMBLY	
	PRODUCT CUSTOMER DRAWING		SERIES: 172604 MATERIAL NUMBER: 172604-0003 CUSTOMER: GENERAL		DOCUMENT NUMBER: SD-172604-0003 DOC TYPE: PSD DOC PART: 001 SHEET NUMBER: 3 OF 3		DRAWING SIZE: D THIRD ANGLE PROJECTION		172604 172604-0003 GENERAL		172604 172604-0003 GENERAL	