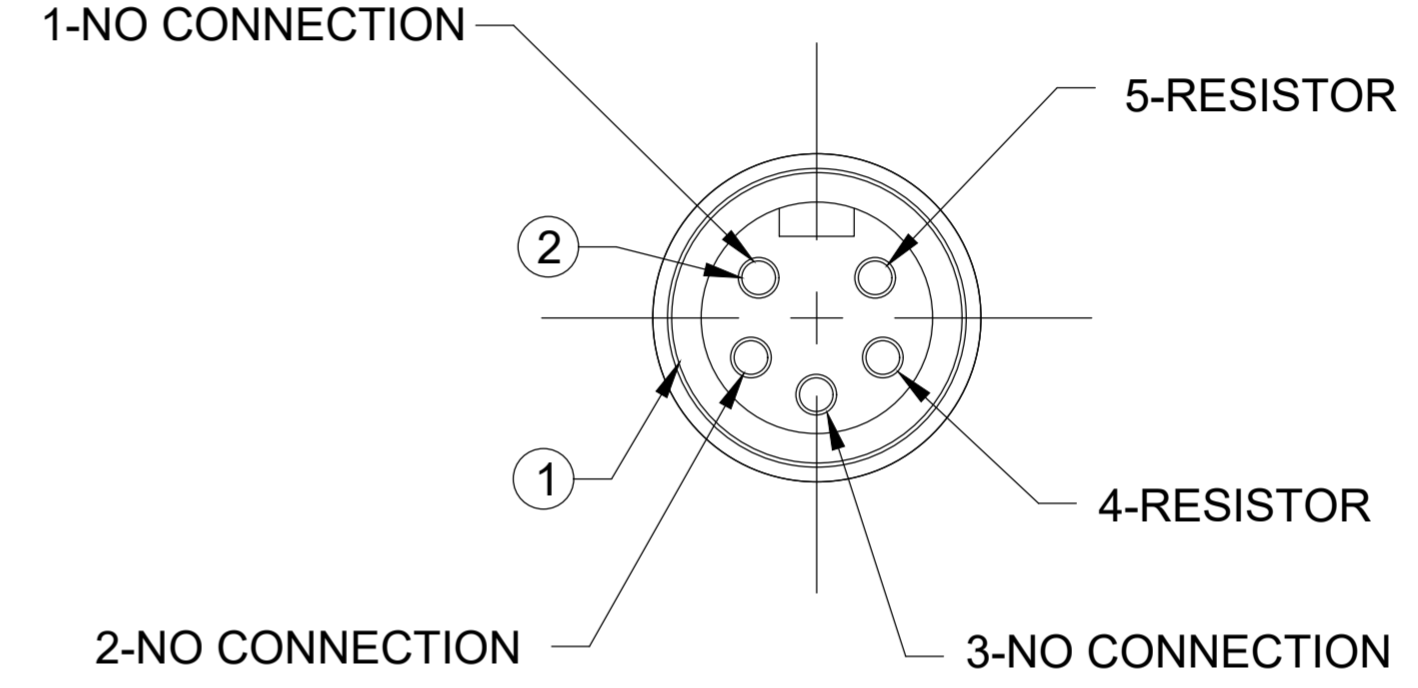
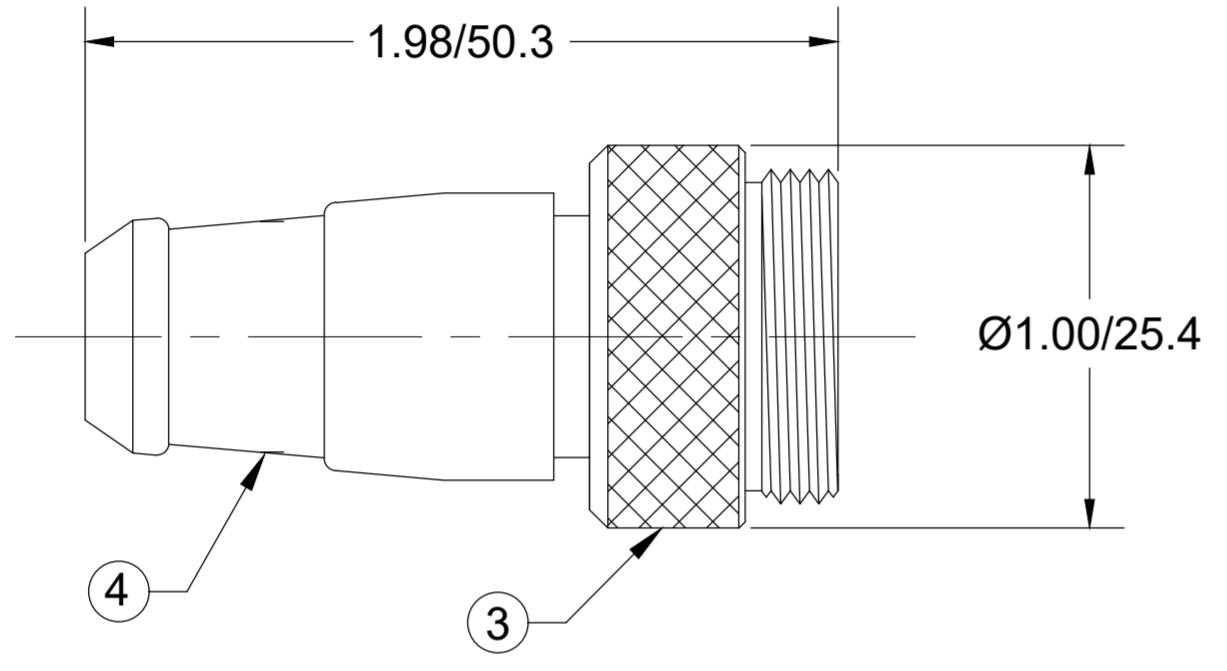
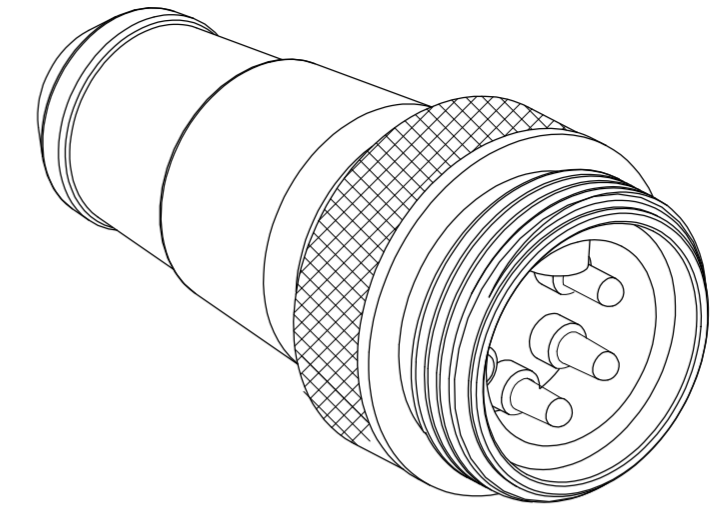


MATERIAL NUMBER	ENGINEERING NUMBER
1300390370	DN100



- NOTES:
- MATERIAL: AS NOTED
 - FINISH: AS NOTED
 - ELECTRICAL:
VOLTAGE: 50 VAC/VDC
CURRENT: 8 AMPS
 - TEMP RATING: 0°C TO +60°C
 - PROTECTION: IP67 (WHEN MATED)
 - COUPLING THREAD: 7/8"-16UN
 - ALL DIMENSIONS ARE FOR REFERENCE UNLESS TOLERANCED OR NOTED OTHERWISE

ITEM	COMPONENT	MATERIAL	FINISH
1	INSERT	TPE	GRAY
2	CONTACT PIN	COPPER ALLOY	GOLD OVER NICKEL
3	COUPLNG NUT	ZINC DIE CAST	BLACK E-COATED
4	OVERMOLD	TPE	GRAY
	RESISTOR	121 OHM 1% METAL FILM 1/4 WATT	

PRE-RELEASE
REFERENCE
USE ONLY

THIS DRAWING CONTAINS INFORMATION THAT IS PROPRIETARY TO MOLEX ELECTRONIC TECHNOLOGIES, LLC AND SHOULD NOT BE USED WITHOUT WRITTEN PERMISSION											
FUNCTIONAL SYMBOLS	DIMENSION UNITS		SCALE		CURRENT REV DESC: ITEM# 1 & 4 WERE PVC						
	INCH/MM		NTS		<p>molex</p> <p>MINI-CHANGE TERMINATOR, A-SIZE, 5 POLE, MALE, STRAIGHT, SINGLE KEY, 22AWG</p> <p>PRODUCT CUSTOMER DRAWING</p> <p>DOCUMENT NUMBER: SD-130039-002 DOC TYPE/DOC PART: PSD 001 REVISION: B</p>						
GENERAL TOLERANCES (UNLESS SPECIFIED)											
		mm	INCH								
4 PLACES	±----	±----	±----								
3 PLACES	±----	±----	±----								
DIVISIONAL SYMBOLS	2 PLACES	±----	±0.01								
	1 PLACE	±0.3	±----								
	0 PLACES	±----	±----								
	ANGULAR TOL ± ---- °										
DRAFT WHERE APPLICABLE MUST REMAIN WITHIN DIMENSIONS				THIRD ANGLE PROJECTION		DRAWING		SERIES		MATERIAL NUMBER	
						C-SIZE		130039		SEE CHART	
										CUSTOMER	
										GENERAL MARKET	
										SHEET NUMBER	
										1 OF 1	