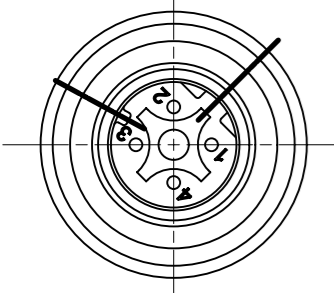


M12 4 POLE MALE



VIEW FROM THE FRONT SIDE

Pin	Wire color
1	WH/OG
2	WH/GN
3	OG
4	GN

SHIELD CONNECTED TO HOUSING

PART No. MATRIX

**E W W A 0 6 0 1 5 M X X X**

E=ETHERNET

HEADS:  
W=M12 4-Pole Ultra Lock D-Coding  
W=M12 4-Pole Ultra Lock D-Coding

HEADS STYLE:  
060=MALE STR / MALE STR

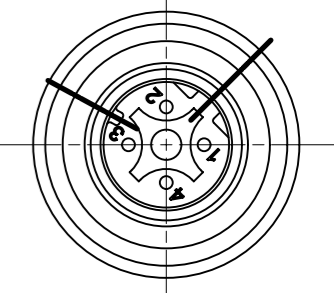
CABLE TYPE

UNITS:  
M=METER  
T=10x METER

LENGTH EXAMPLES:  
005=0.5m  
010=1m  
150=15m

WIRING TYPE:  
A=4 Pole (STRAIGHT WIRED)

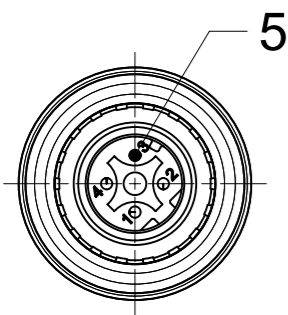
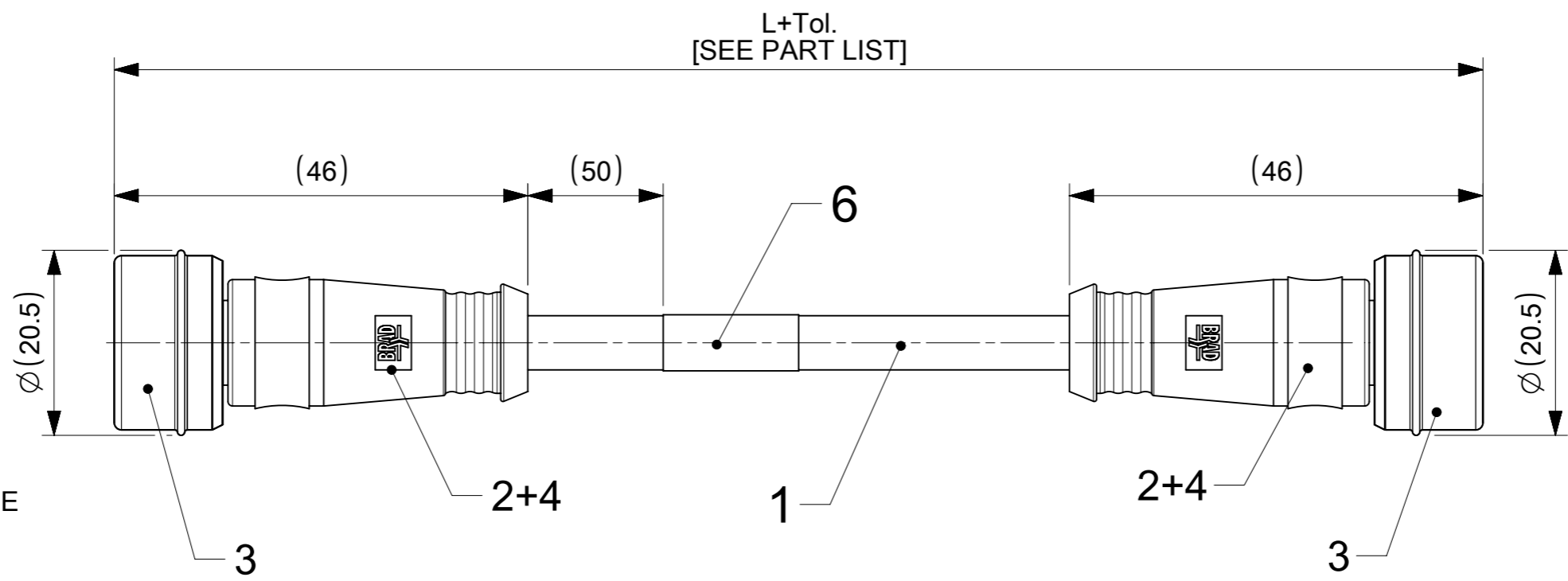
M12 4 POLE MALE



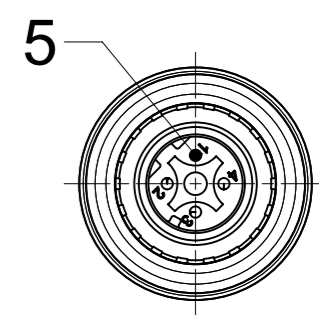
VIEW FROM THE FRONT SIDE

Pin	Wire color
1	WH/OG
2	WH/GN
3	OG
4	GN

SHIELD CONNECTED TO HOUSING



VIEW FROM THE FRONT SIDE



VIEW FROM THE FRONT SIDE

PART LIST

MOLEX PN	ENGINEERING No	L+Tol. [mm]
1201080041	EWWA06015M006	600 +45
1201080042	EWWA06015M010	1000+56
1201080043	EWWA06015M020	2000 +89
1201080044	EWWA06015M050	5000+165
1201080045	EWWA06015M100	10000+317
1201080147	EWWA06015M030	300+19

DOCUMENT STATUS	P1	RELEASE DATE	2022/04/22	06:35:55
-----------------	----	--------------	------------	----------

NOTES :

ACC. TO CAT5e ETHERNET STD.  
MAX. VOLTAGE : 30V  
MAX. CURRENT : 1.5A  
IP RATING : IP67  
TEMPERATURE RANGE : -20°C TO +75°C

BOM

ITEM	QTY.	DESCRIPTION	MATERIAL	FINISH / COLOR
6	1	WRAP LABEL	VINYL	YELLOW
5	8	CONTACT MALE	BRASS	GOLD OVER Ni-PLATED
4	2	SLEEVE SHEILD	BRASS	Ni-PLATED
3	2	ULTRALOCK MALE ASSEMBLY	-	-
2	-	MOULDING MATERIAL	TPU	BLACK
1	-	CABLE 26-4 TEAL SHIELDED PVC CAT5E	PVC	TEAL

FUNCTIONAL SYMBOLS √A = 0 √E = 0 √V = 0	THIS DRAWING CONTAINS INFORMATION THAT IS PROPRIETARY TO MOLEX ELECTRONIC TECHNOLOGIES, LLC AND SHOULD NOT BE USED WITHOUT WRITTEN PERMISSION	CURRENT REV DESC:		<b>molex</b>
	FUNCTIONAL DIMENSION UNITS: mm	SCALE: 3:2	EC NO: 703538	
DIVISIONAL SYMBOLS	GENERAL TOLERANCES (UNLESS SPECIFIED)	DRWN: SSM 2022/03/28		MIC 4P M/MP ULLOCK ST/ST XM
	ANGULAR TOL ± 1.0°	CHK'D: RSILLER 2022/04/22		
4 PLACES ±	APPR: RSILLER 2022/04/22		PRODUCT CUSTOMER DRAWING	
3 PLACES ±	INITIAL REVISION:		DOCUMENT NUMBER	
2 PLACES ± 0.05	DRWN: SSM 2022/03/28		1201080041	
1 PLACE ± 0.3	APPR: RSILLER 2022/04/22		PSD 000 A	
0 PLACES ± 0.5	DRAFT WHERE APPLICABLE MUST REMAIN WITHIN DIMENSIONS		SHEET NUMBER	
THIRD ANGLE PROJECTION		DRAWING: A3-SIZE	SERIES: 120108	MATERIAL NUMBER: SEE PART LIST
		CUSTOMER: GENERAL MARKET	1 OF 1	