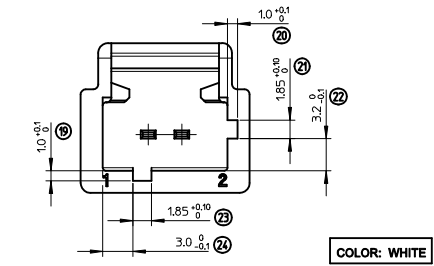
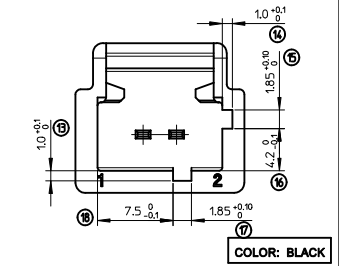
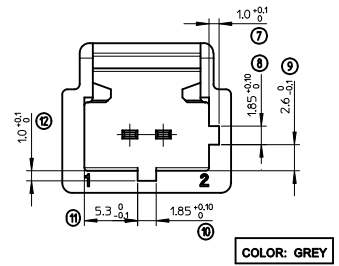
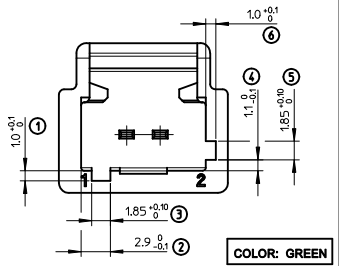
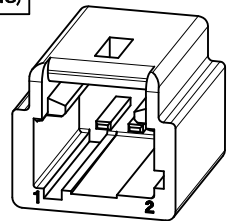


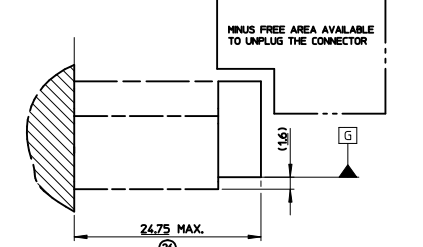
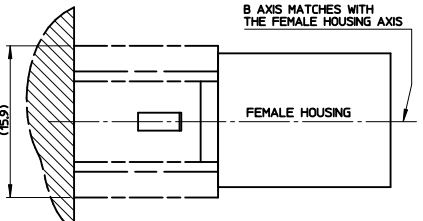
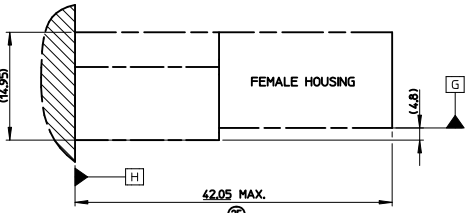
**CODINGS**



**ISO VIEW  
(GREEN CODING)**



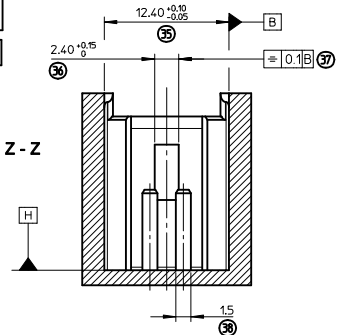
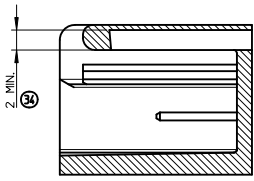
**OVERALL DIMENSIONS**



**HEADER'S DEFINITION**

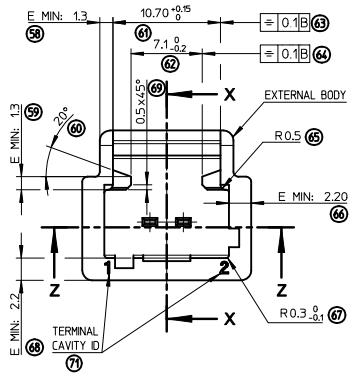
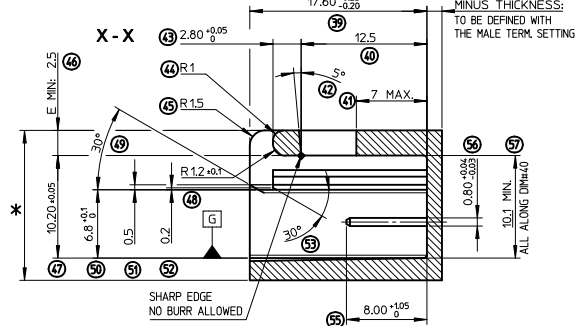
GREEN CODING REPRESENTED

**X - X  
VARIABLE**

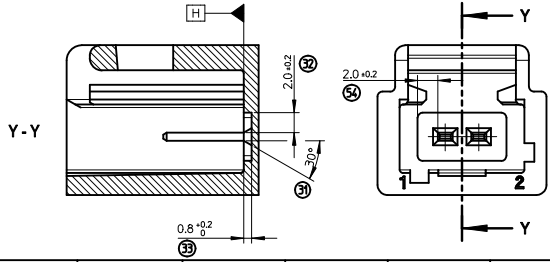


**NOTES:**

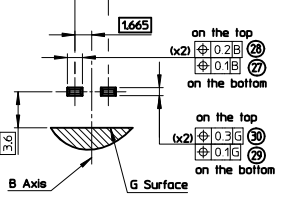
- MALE TERMINALS:**
  - MALE TERMINALS RESISTANCE: 100N MIN IN MALE TERM. AXIS.
  - MATERIAL: COPPER, COPPER ALLOY OR BRASS.
  - FINISHES: TIN PLATED 2μ MIN.
- HEADER:**
  - RADII WITHOUT DIM: R=0.3MM
  - E MIN: MINIMUM MATERIAL THICKNESS RECOMMENDED FOR SPECIFIED MATERIAL.
  - MATERIAL: PBT (RECOMMENDED) (70)
  - \* WARPING: 0.35MM MAX. ACCEPTED ON "\*" DIM. WITH ANOTHER EXTERNAL SHAPE AS DRAWN WHEN PLUGGED.
- MATES WITH:**
  - MOLEX CONNECTORS 9887-102X



**MALE TERMINALS VARIABLE SETTING**



**MALE TERMINALS SETTING**

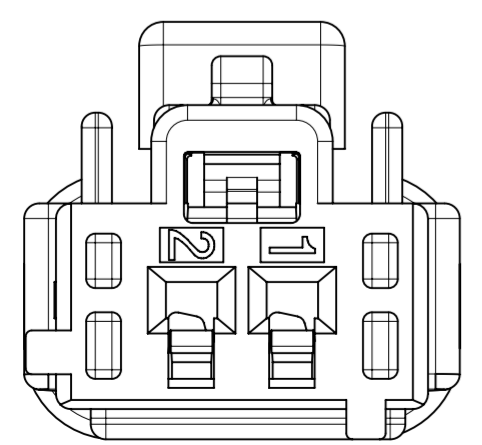
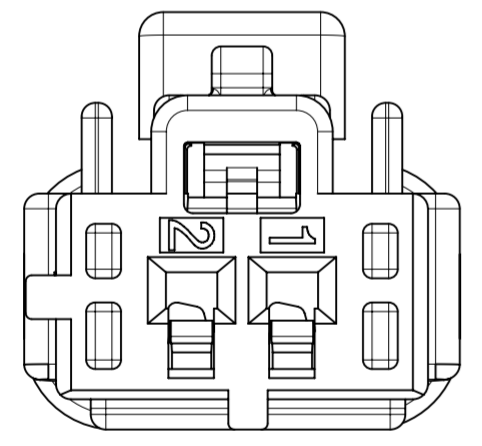
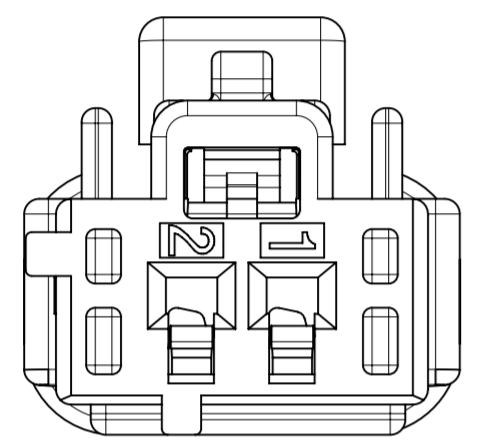
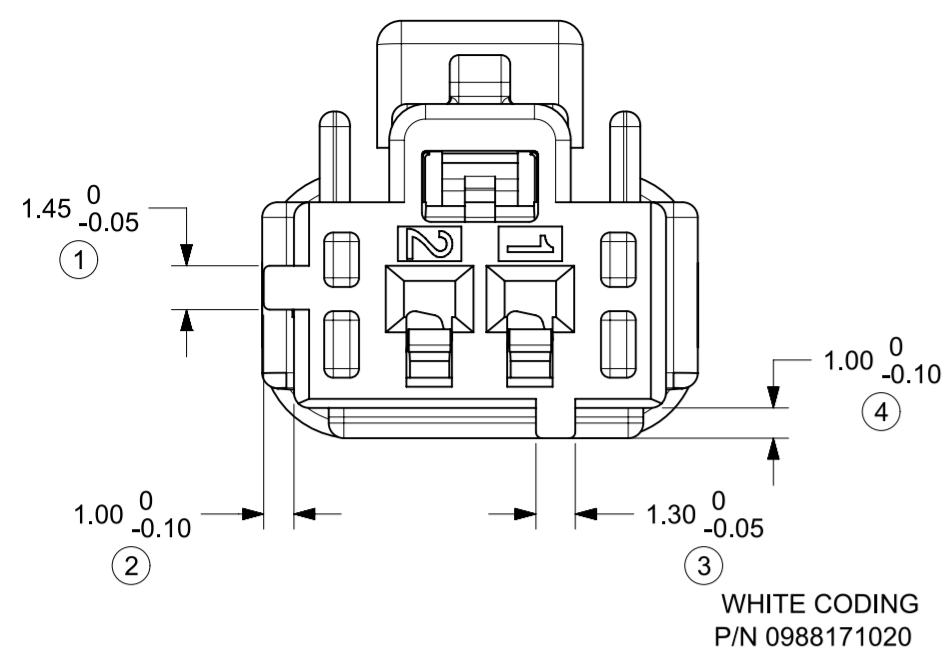


REV.	1	71		
	FIRST	LAST	DELETED	SUPERSEDED

<b>PRINT 1ST RELEASE</b> EC NO: G2012-0179 DRAWN BY: GDESBRUERES 2012/04/18 CHKD: JUCLOS 2012/04/18 APPROVED: OPLESSIS 2012/04/23	QUALITY SYMBOLS GENERAL TOLERANCES (UNLESS SPECIFIED) 4 PLACES ± --- ± --- 3 PLACES ± --- ± --- 2 PLACES ± 0.1 ± --- 1 PLACE ± 0.1 ± --- 0 PLACE ± ± --- ANGULAR ± 2 ° DRAFT WHERE APPLICABLE MUST REMAIN WITHIN DIMENSIONS	DIMENSION STYLE <b>MM ONLY</b>	SCALE 4:1	DESIGN UNITS METRIC	FIRST ANGLE PROJECTION		
		DRAWN BY GDESBRUERES 2012/04/18	DATE 2012/04/18	CHECKED BY JUCLOS 2012/04/18	DATE 2012/04/18	APPROVED BY OPLESSIS 2012/04/23	DATE 2012/04/23
		MATERIAL NO. N/A	DOCUMENT NO. SD-98815-002	SHEET NO. 1 OF 1	THIS DRAWING CONTAINS INFORMATION THAT IS PROPRIETARY TO MOLEX INCORPORATED AND SHOULD NOT BE USED WITHOUT WRITTEN PERMISSION		

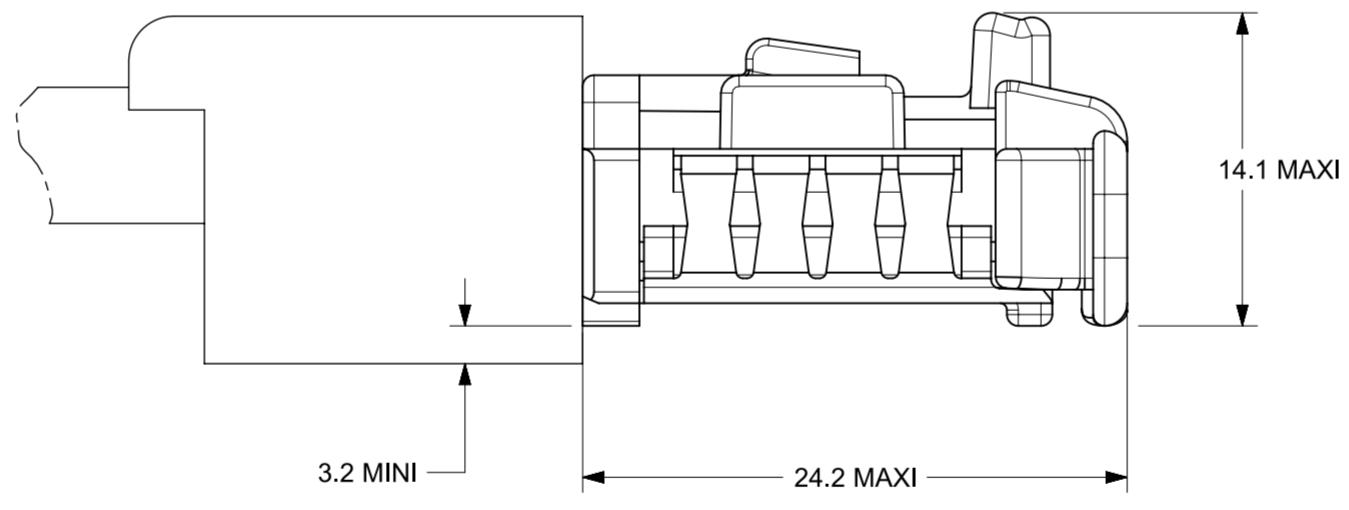
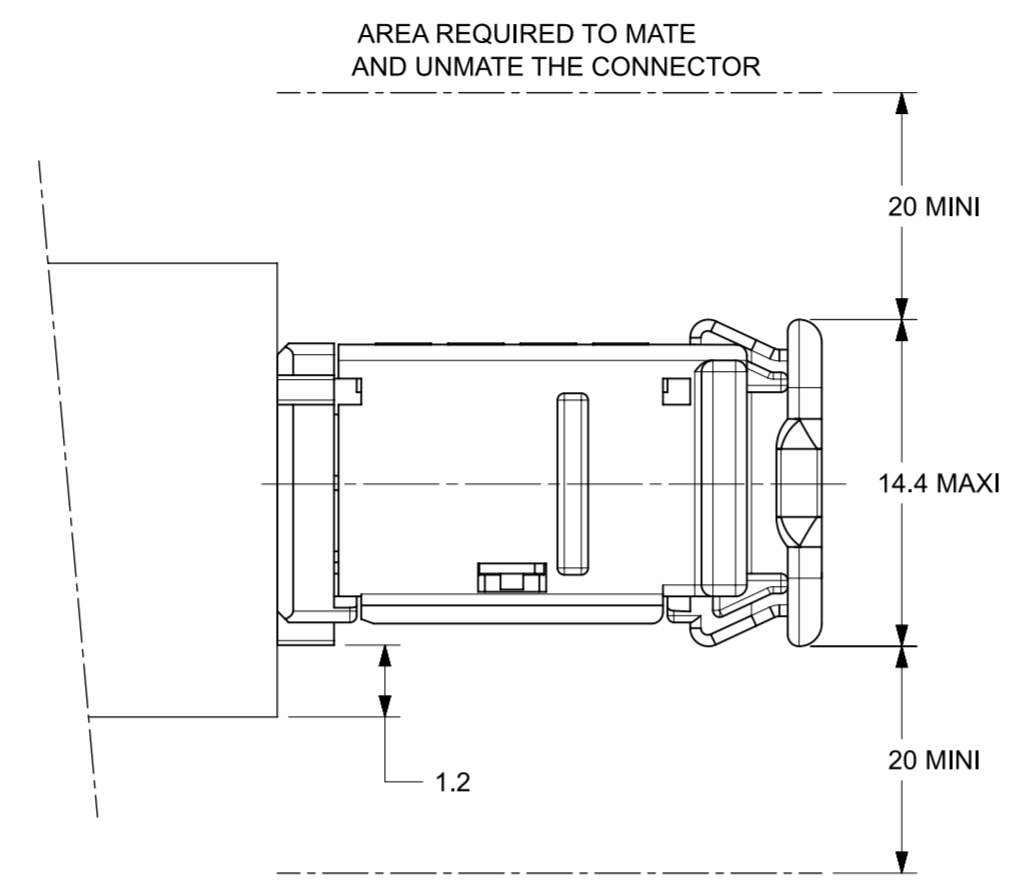
REV.	MODIFICATIONS
A	-PRINT FIRST RELEASE

**2W INTERFACE 15 TERM.  
(FOR FEMALE HOUSING)**  
  
 DOCUMENT NO. SD-98815-002  
 SHEET NO. 1 OF 1



CODING 4:1

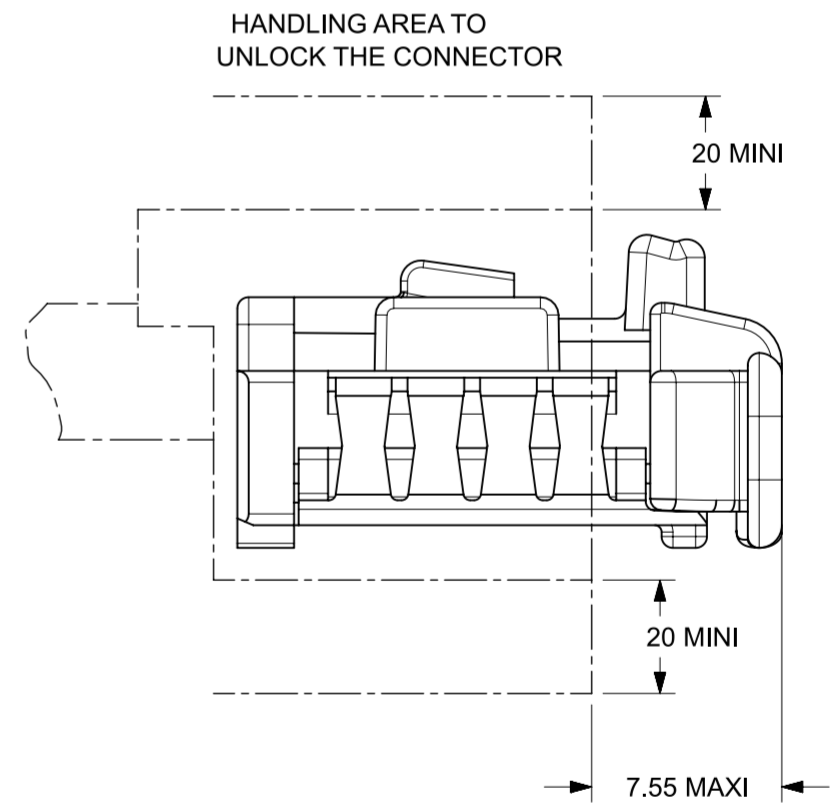
HANDLING AREA



NOTE :

- 1 - THE USING CONDITIONS OF THE HINGE ARE SHOWN IN THE MOLEX SPECIFICATION N°AS-98821-001.
- 2 - FEMALE TERMINAL USED : SCC RCPT TERM 1.5MM
  - RANGE 1 : 0988971109 (0.22 MM² TO 2X0.22 MM²)
  - RANGE 2 : 0988971119 (0.5 MM² TO 1 MM² INCLUDED)
  - RANGE 3 : 0988971129 (2X0.5 MM² TO 2 MM² INCLUDED)
- 3 - FEMALE CONNECTOR WILL MATE WITH MALE CONNECTOR P/N 098822102X.

AREA REQUIRED WHEN THE CONNECTOR IS MATED



FUNCTIONAL SYMBOLS	THIS DRAWING CONTAINS INFORMATION THAT IS PROPRIETARY TO MOLEX ELECTRONIC TECHNOLOGIES, LLC AND SHOULD NOT BE USED WITHOUT WRITTEN PERMISSION										
	DIMENSION UNITS	SCALE	CURRENT REV DESC: B: TWO WALLS ADDED, MARKING LOCATION CHANGED, B1: TYPO CORRECTED								
$F_A = 0$	mm	3:1	PHASE: Design Production								
$F_C = 0$	GENERAL TOLERANCES (UNLESS SPECIFIED)		CO NO: CO-000001747							PRODUCT SALES DRAWING	
$F_P = 0$	ANGULAR TOL ± 1.0°		DRWN: Srikanth CV 2022-11-15							DOCUMENT NUMBER	
DIVISIONAL SYMBOLS	4 PLACES ±		CHK'D: Frederic Parolari 2022-11-15							SD-98817-001	
	3 PLACES ±		APPR: Bruno Dessirier 2022-11-15							DOC TYPE	
	2 PLACES ± 0.050		INITIAL REVISION:							PSD	
	1 PLACE ± 0.10		DRWN: RFC_PLMIMP							001	
	0 PLACES ±		APPR: LSTICKEIR 2008-03-10							B1	
	DRAFT WHERE APPLICABLE MUST REMAIN WITHIN DIMENSIONS		FIRST ANGLE PROJECTION	DRAWING	SERIES	MATERIAL NUMBER	CUSTOMER	SHEET NUMBER			
				A2-SIZE	98817	SEE CHART	GENERAL MARKET	1 OF 2			

