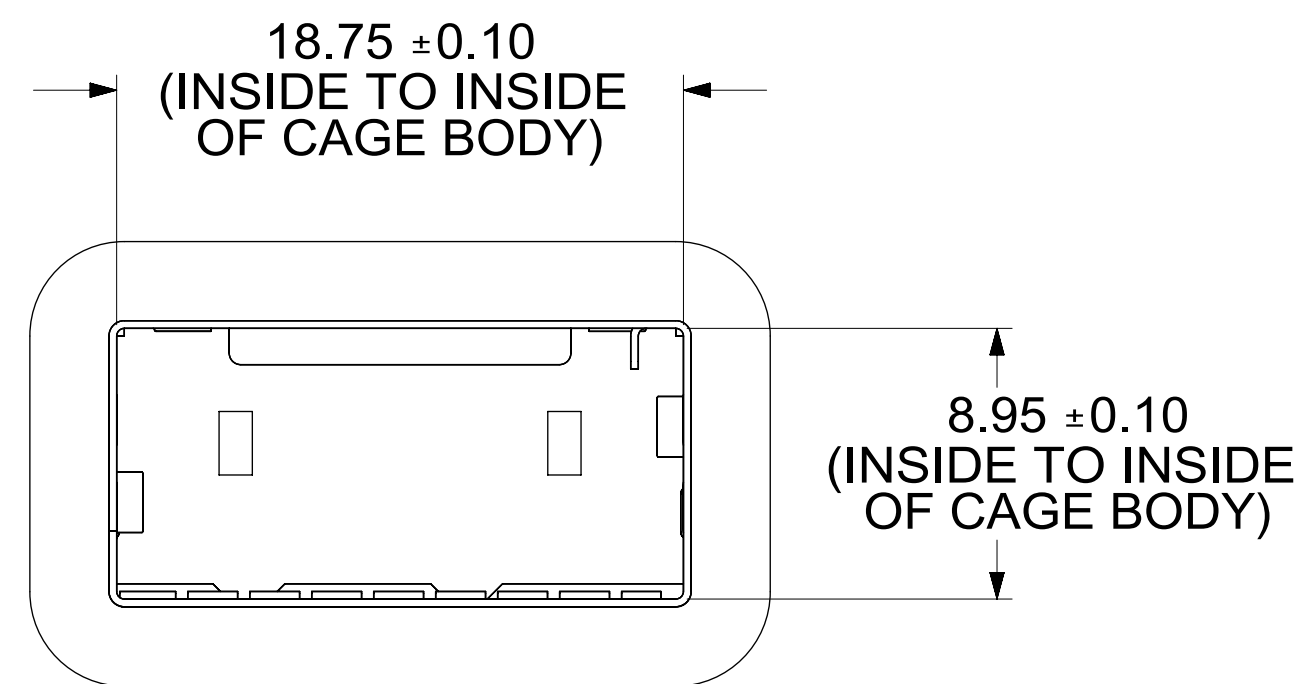
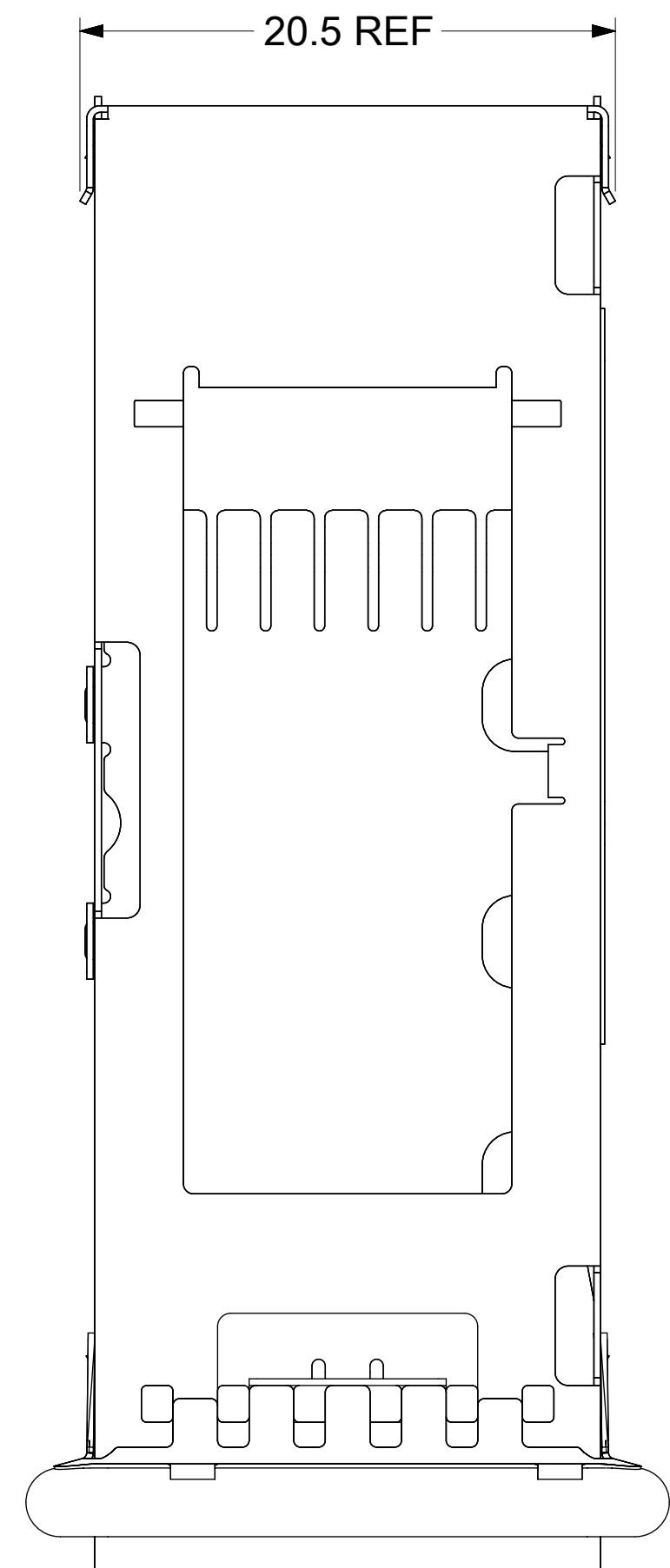
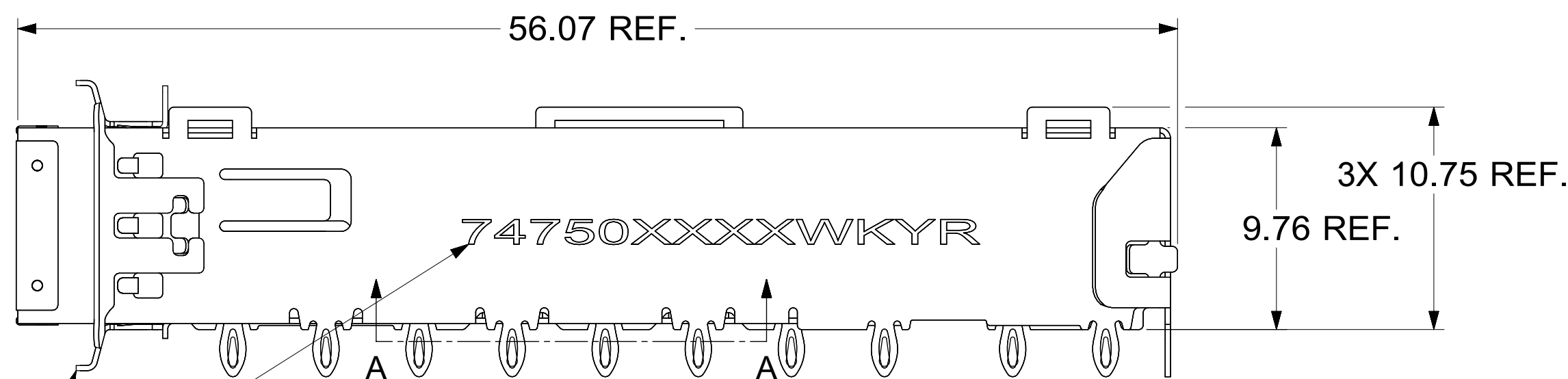
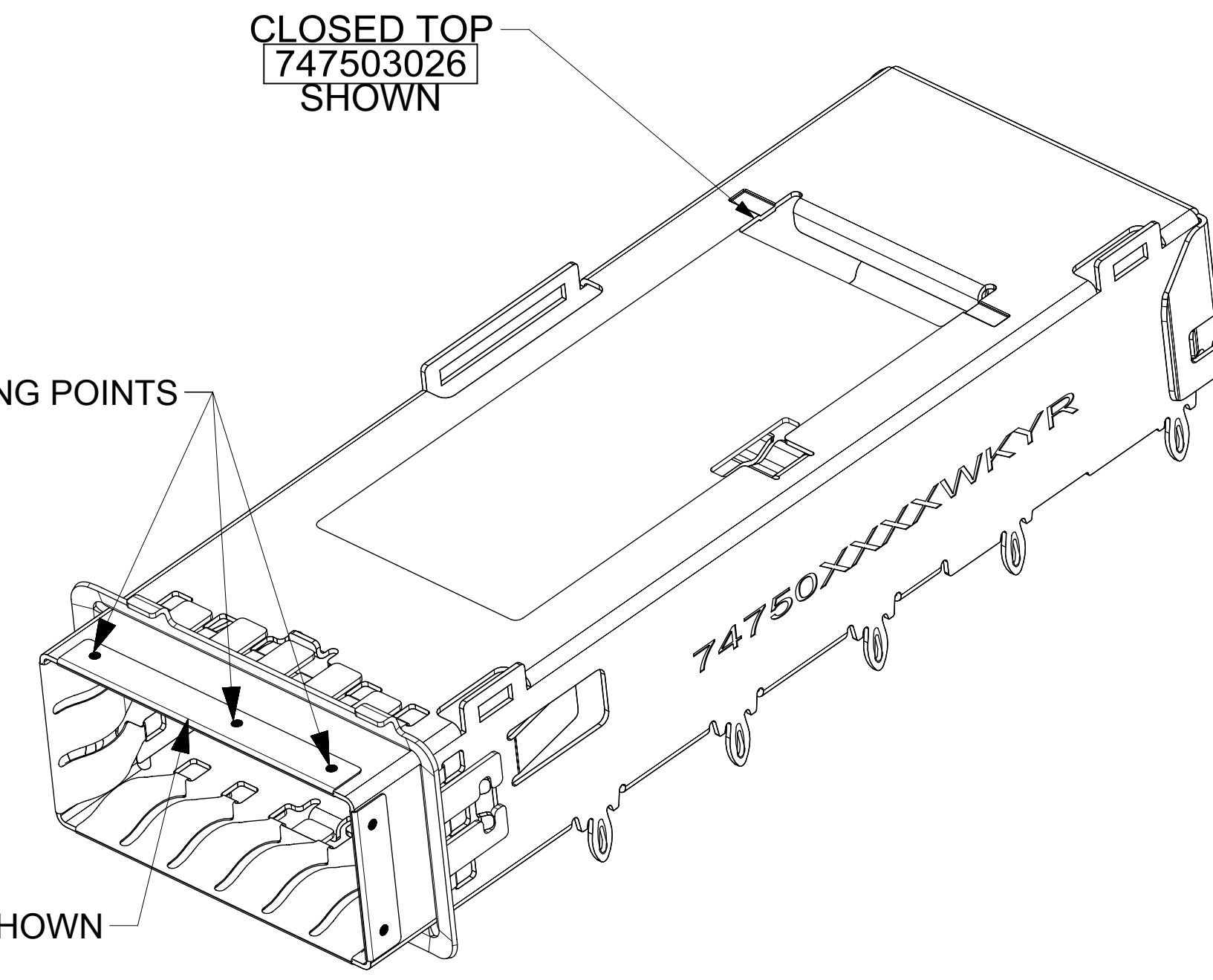
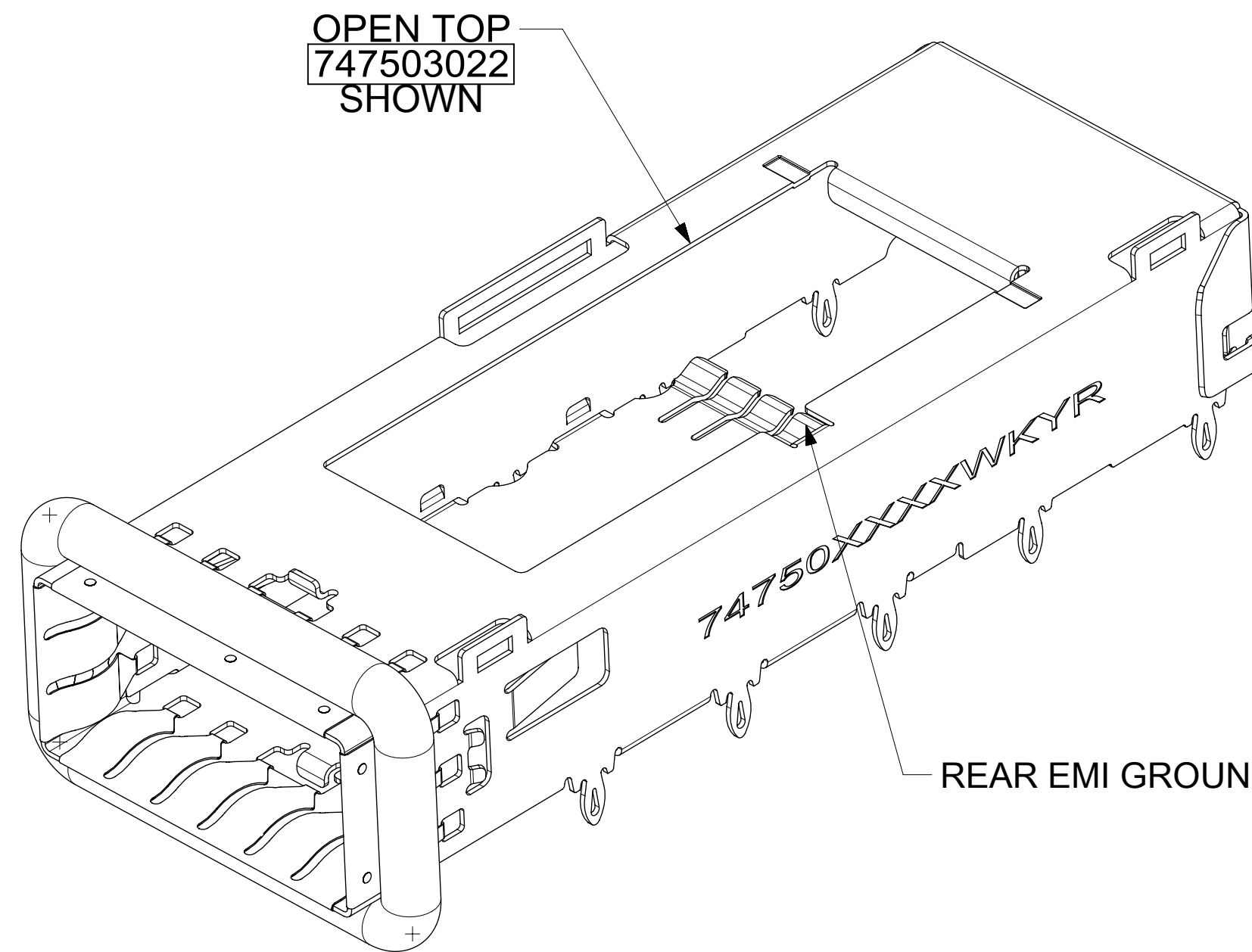


CAGE DETAILS

(APPLIES TO ALL CAGES IN THIS DRAWING)

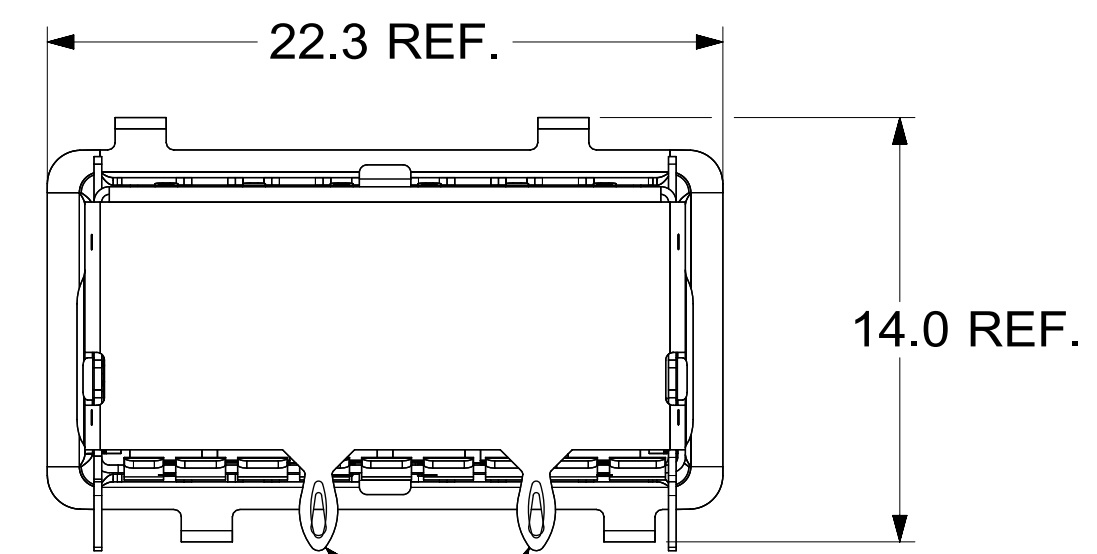


NOTE:
INTERNAL SPRING FINGERS
REMOVED FROM THIS VIEW FOR CLARITY.



GASKET NOT SHOWN
FOR CLARITY

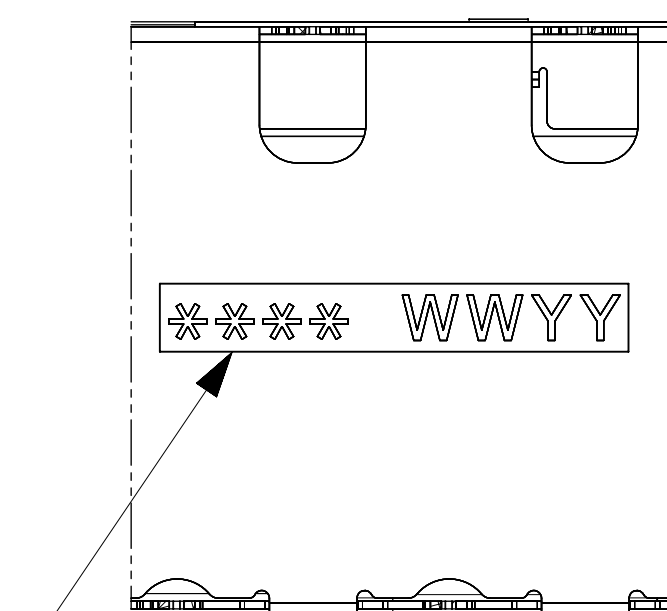
PN/DATE CODE TO BE PRINTED ON THE SIDE OF
COMPLETED CAGE ASSEMBLY APPROXIMATELY AS SHOWN.
SEE TABLE BELOW FOR DATE CODE INFORMATION.



REAR PINS ARE OPTIONAL
(SEE CHART)

NOTE:
GASKET REMOVED FROM THIS
VIEW FOR CLARITY.

WEEK/YEAR DATE CODE TABLE	
WK	WEEK OF THE YEAR 01 THRU 52 (EXAMPLE: 01= FIRST WEEK OF YEAR 52= LAST WEEK OF YEAR)
YR	22, 23, 24 ETC.. (EXAMPLE: YEAR 2022= 22)

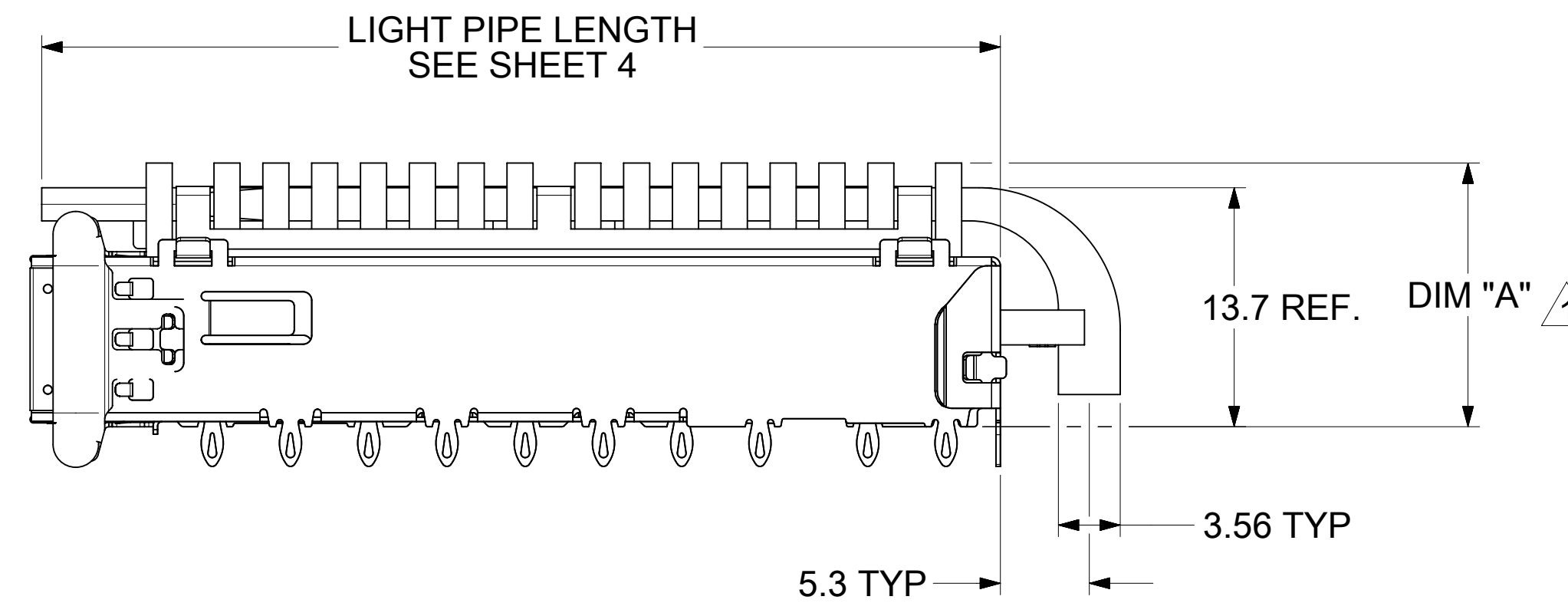
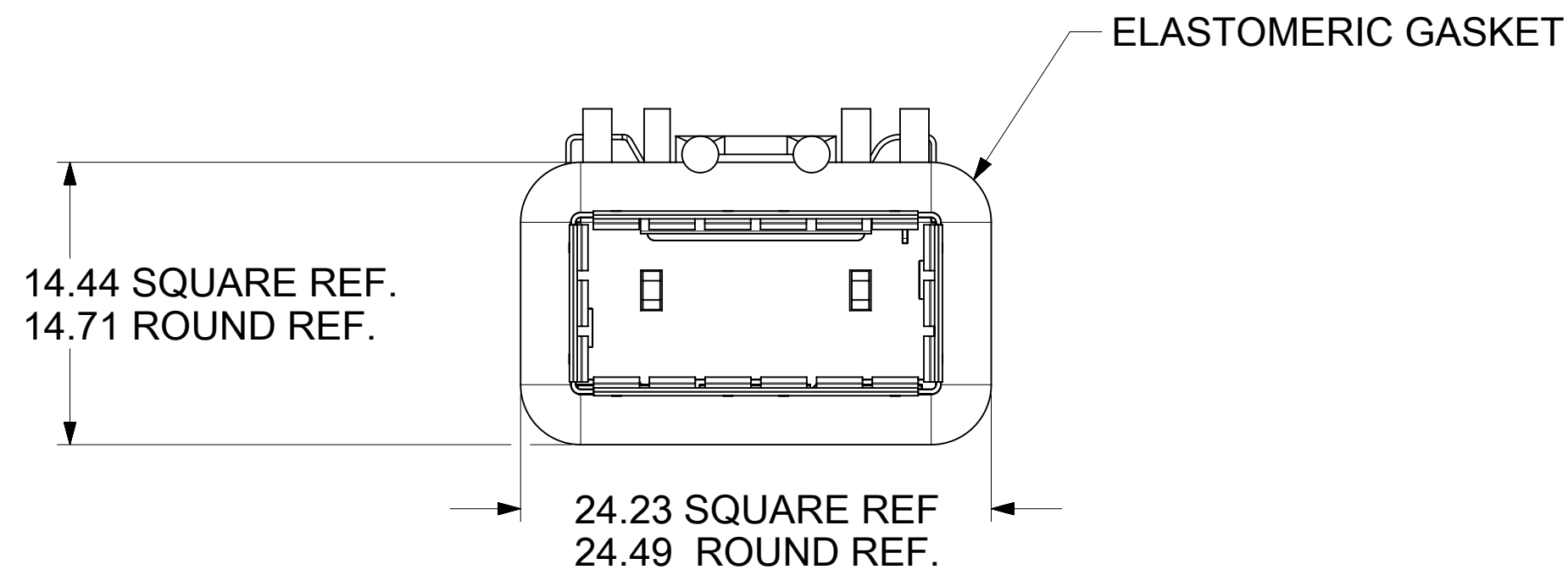
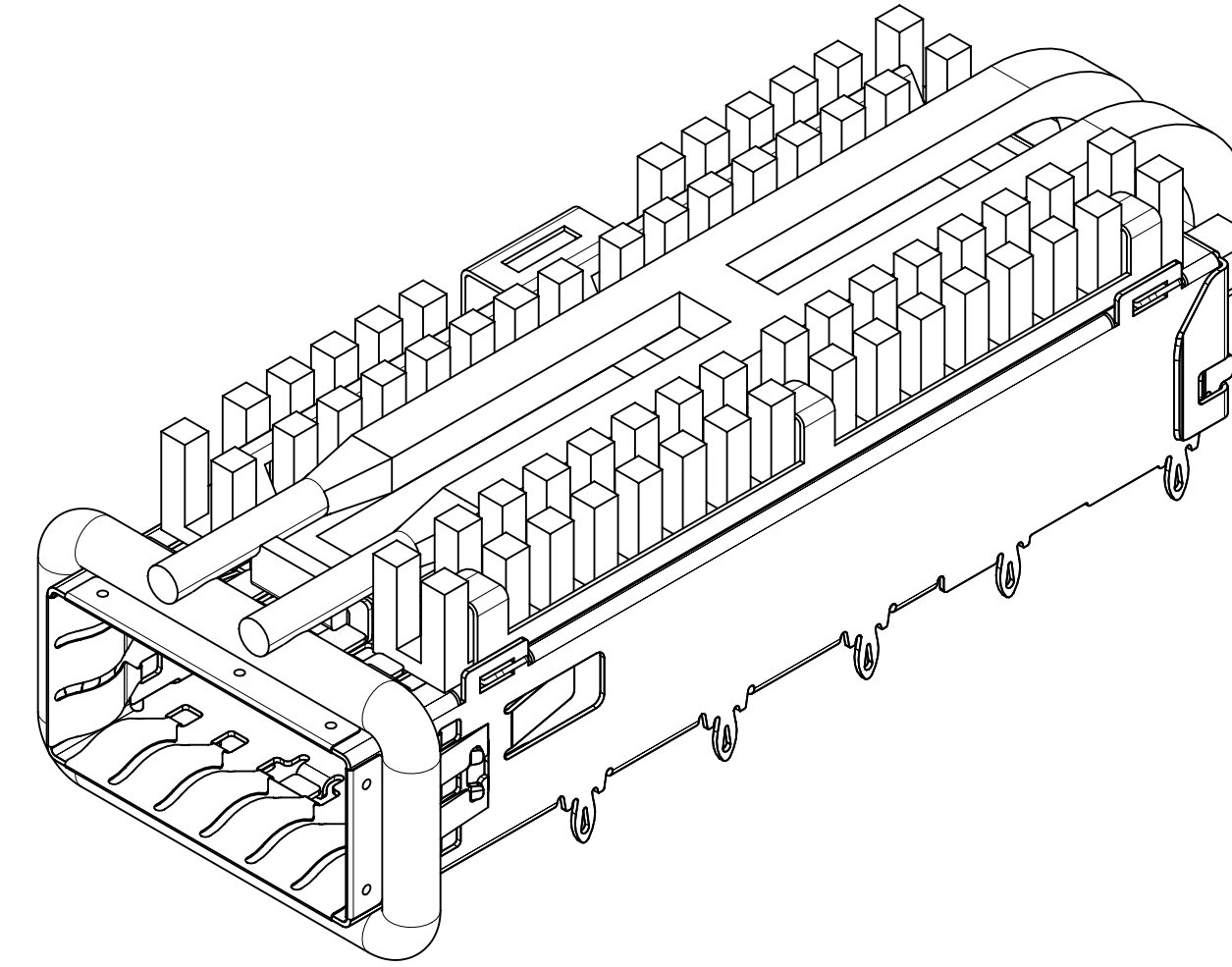
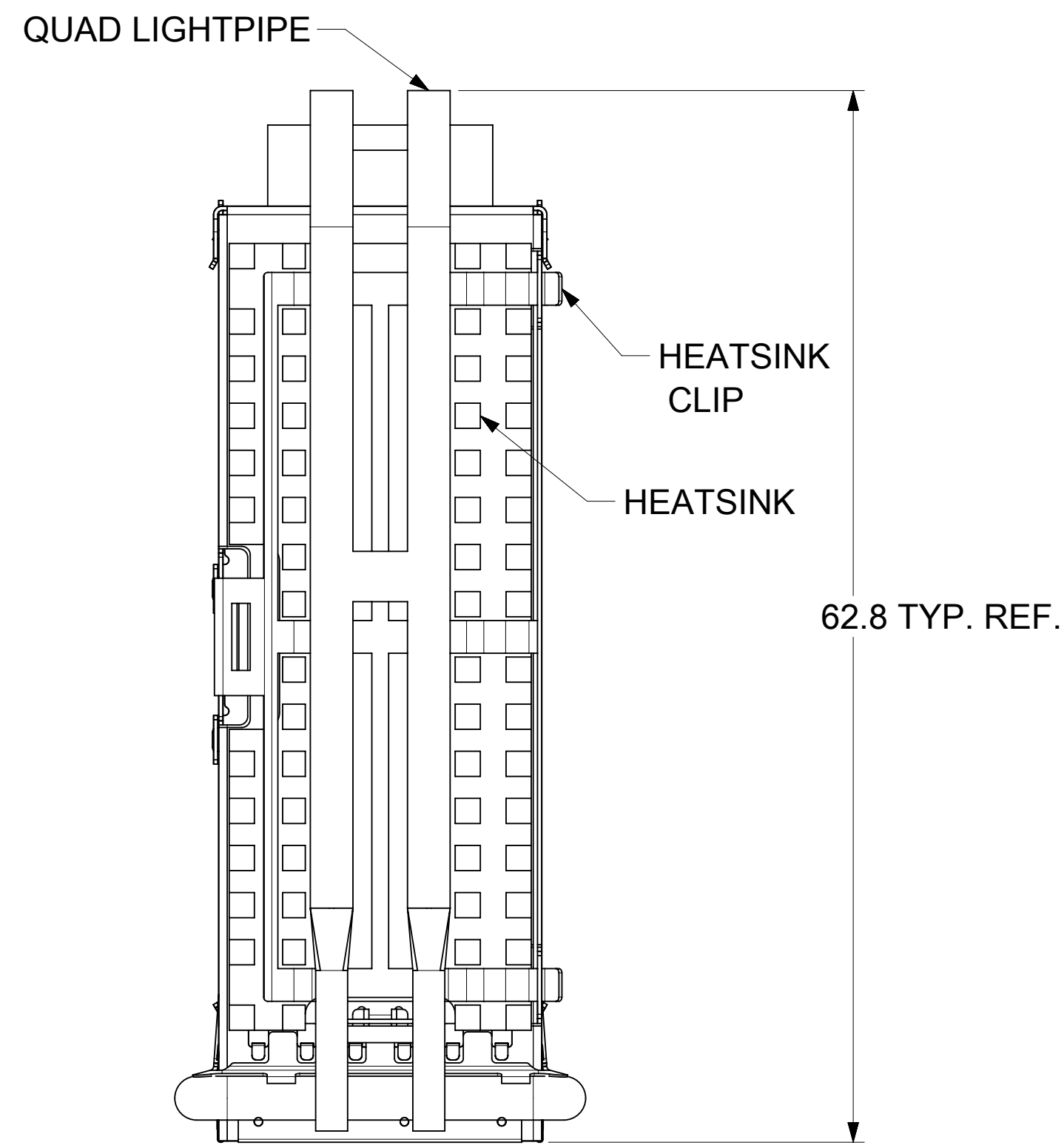


SECTION A-A

- NOTES:
- PRESS FIT LEGS 2.28mm LONG
 - MATERIAL:
CAGE: 0.25mm THICK COPPER ALLOY, NICKEL PLATED
SPRING FINGERS: STAINLESS STEEL
LIGHT PIPE/HEAT SINK CLIP: STAINLESS STEEL
LIGHT PIPES: POLYCARBONATE (UL 94-V0 RATED)
HEATSINKS: ALUMINUM (BLACK ANNOXIDIZED)
ELASTOMERIC GASKET: SILICON, COLOR BLACK
 - CUSTOM HEATSINKS AVAILABLE UPON REQUEST
 - QSFP+ ASSEMBLES ALSO AVAILABLE IN 1X2 (74767 SERIES),
1X3 (74768 SERIES), 1X4 (74769 SERIES) AND 1X6 (74771 SERIES).
 - PACKAGED IN TRAYS.
 - NO RoHS EXEMPTIONS.
 - WELD SPOTS MAY SHOW SLIGHT MATERIAL DISCOLORATION

THIS DRAWING CONTAINS INFORMATION THAT IS PROPRIETARY TO MOLEX ELECTRONIC TECHNOLOGIES, LLC AND SHOULD NOT BE USED WITHOUT WRITTEN PERMISSION		CURRENT REV DESC: SEE REV TABLE.			
DIMENSION UNITS	SCALE	EC NO: 735397			
mm	1:1	DRWN: VISHNM2 2022/10/19		QSFP+ 1X1 CAGE ASSEMBLY W / ELASTOMERIC GASKET, SUS INNER SPRING FINGER (ROUND & SQUARE)	
GENERAL TOLERANCES (UNLESS SPECIFIED)		CHK'D: PRARTP 2023/01/18		PRODUCT CUSTOMER DRAWING	
ANGULAR TOL ± 1.0°		APPR: SCHIEN 2023/01/18		DOCUMENT NUMBER	
4 PLACES ±	INITIAL REVISION:		DOC TYPE		DOC PART
3 PLACES ±	DRWN: PKH 2022/05/27		PSD		AS Y
2 PLACES ± 0.13	APPR: SCHIEN 2022/07/07		A1		REVISION
1 PLACE ± 0.25	DRAFT WHERE APPLICABLE MUST REMAIN WITHIN DIMENSIONS		747503022		
0 PLACES ±	THIRD ANGLE PROJECTION	DRAWING	SERIES	MATERIAL NUMBER	CUSTOMER
		D-SIZE	74750	SEE SHEET 4	
					SHEET NUMBER
					1 OF 9

CAGE ASSEMBLY OPTIONS

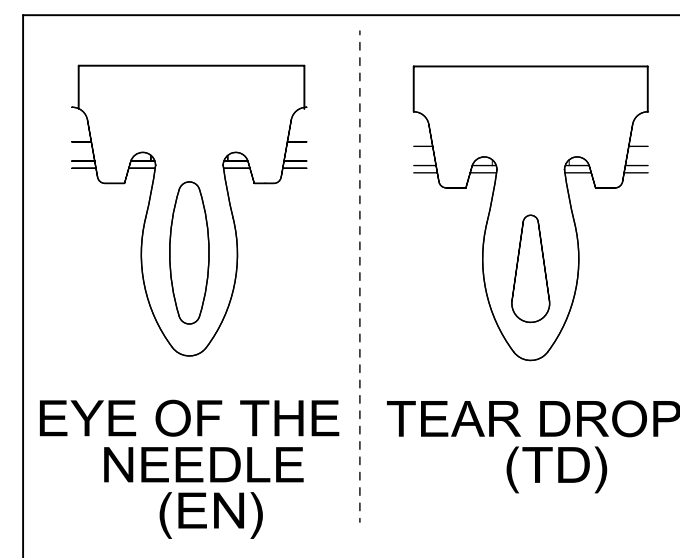


HEATSINK HEIGHT OPTIONS

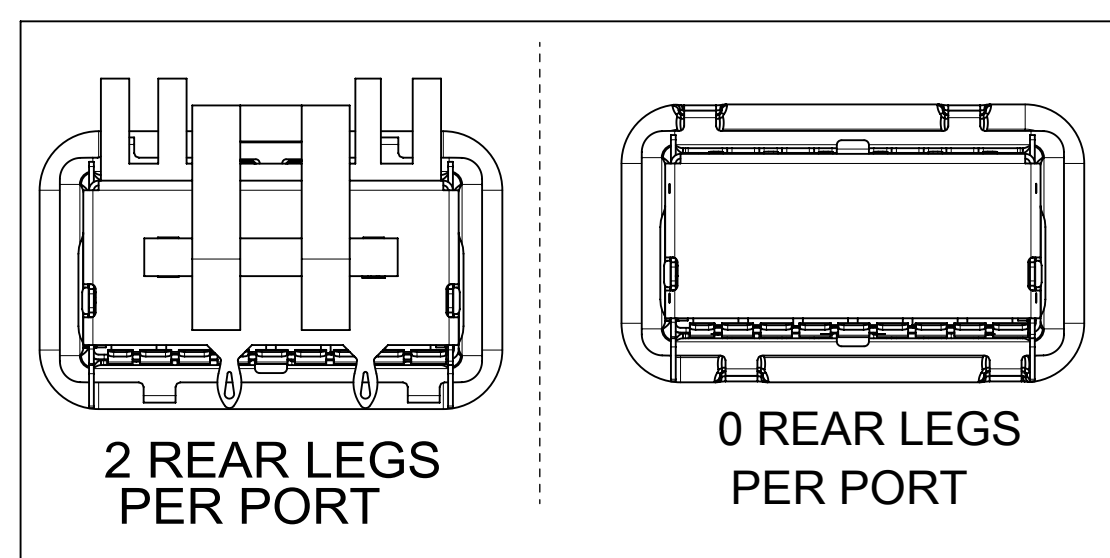
OVERALL HEATSINK HEIGHT	DIM 'A'	TOL
PCI	13.7	
SAN	16.0	+0.25
NET	23.0	-0.73
CUSTOM	21.0	

¹ HEIGHT OF HEATSINK WITH MODULE INSERTED. DIMENSION MAY BE LESS DUE TO MODULE AND HEATSINK VARIATIONS.

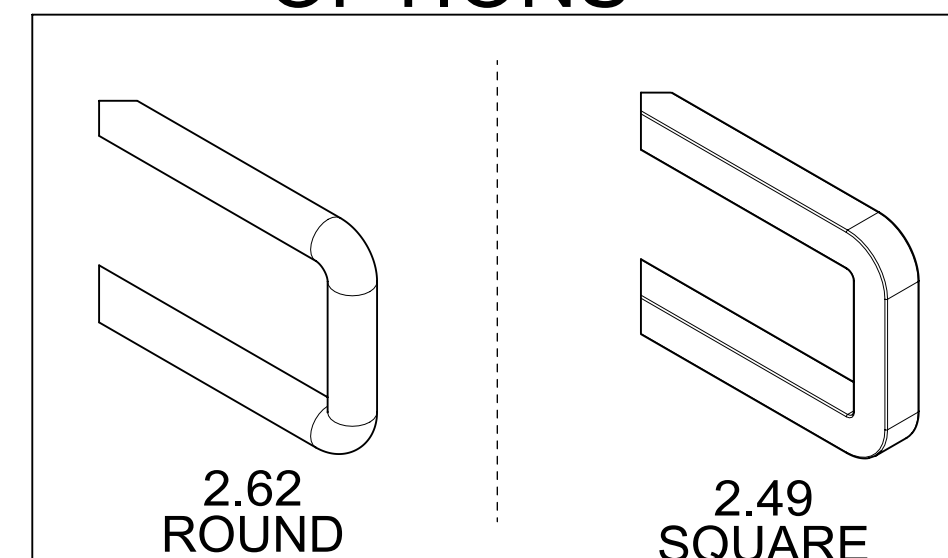
LEG OPTIONS



REAR LEG OPTIONS



ELASTOMERIC GASKET OPTIONS



THIS DRAWING CONTAINS INFORMATION THAT IS PROPRIETARY TO MOLEX ELECTRONIC TECHNOLOGIES, LLC AND SHOULD NOT BE USED WITHOUT WRITTEN PERMISSION

DIMENSION UNITS	SCALE	CURRENT REV DESC: SEE REV TABLE.	
mm	3:1		
GENERAL TOLERANCES (UNLESS SPECIFIED)			
ANGULAR TOL	± 1.0°		
4 PLACES	±	EC NO: 735397	2022/10/19
3 PLACES	±	DRWN: VISHNM2	2023/01/18
2 PLACES	± 0.13	CHK'D: PRARTP	2023/01/18
1 PLACE	± 0.25	APPR: SCHIEN	2023/01/18
0 PLACES	±	INITIAL REVISION:	
DRAFT WHERE APPLICABLE MUST REMAIN WITHIN DIMENSIONS		DRWN: PKH	2022/05/27
		APPR: SCHIEN	2022/07/07
THIRD ANGLE PROJECTION		DRAWING	SERIES
D-SIZE		74750	
MATERIAL NUMBER		CUSTOMER	SHEET NUMBER
SEE SHEET 4			2 OF 9

molex

QSFP+ 1X1 CAGE ASSEMBLY
W / ELASTOMERIC GASKET, SUS INNER SPRING FINGER (ROUND & SQUARE)

PRODUCT CUSTOMER DRAWING

DOCUMENT NUMBER: **747503022**

DOC TYPE: PSD | DOC PART: ASY | REVISION: A1

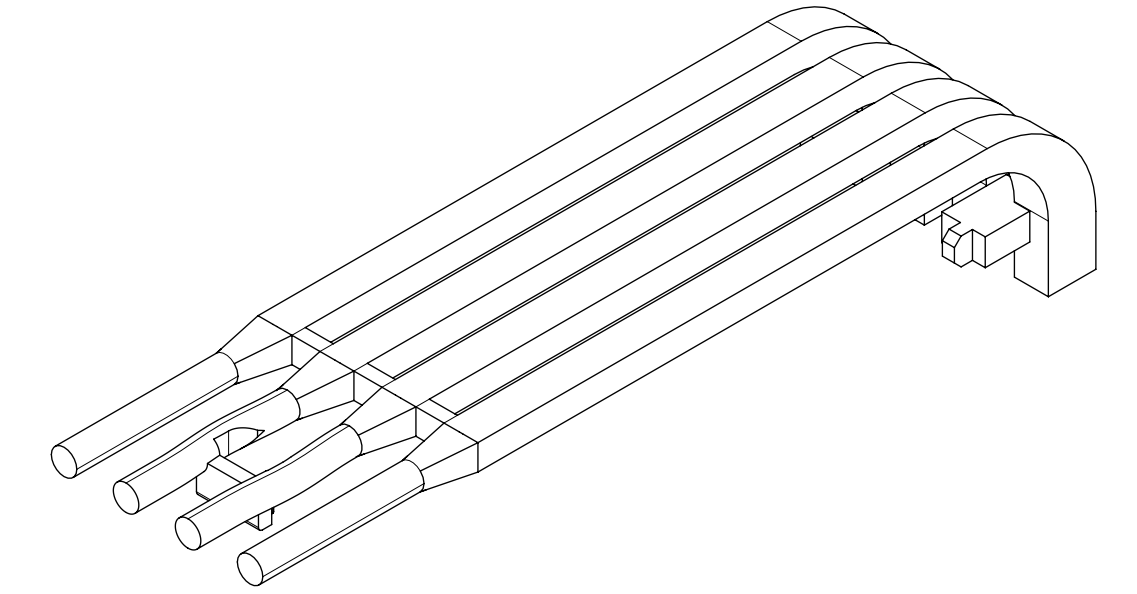
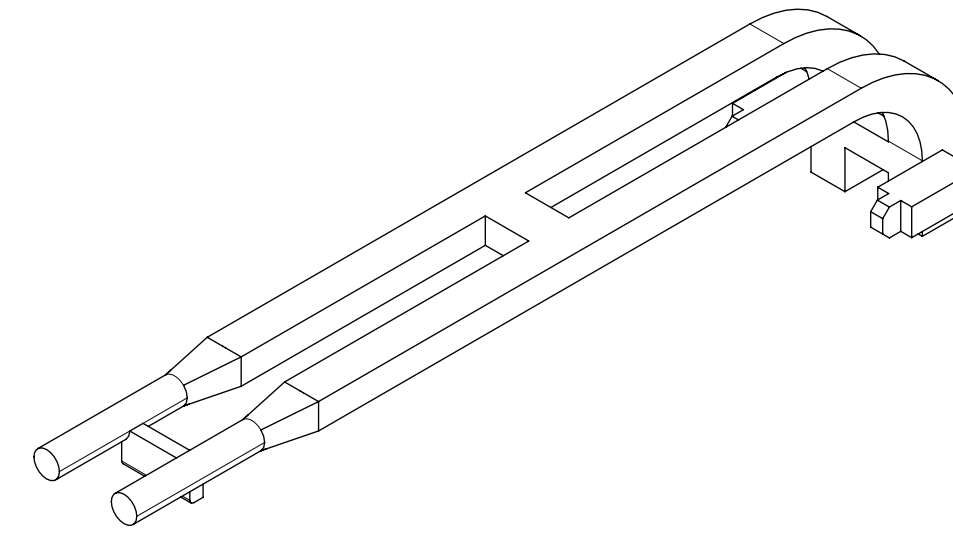
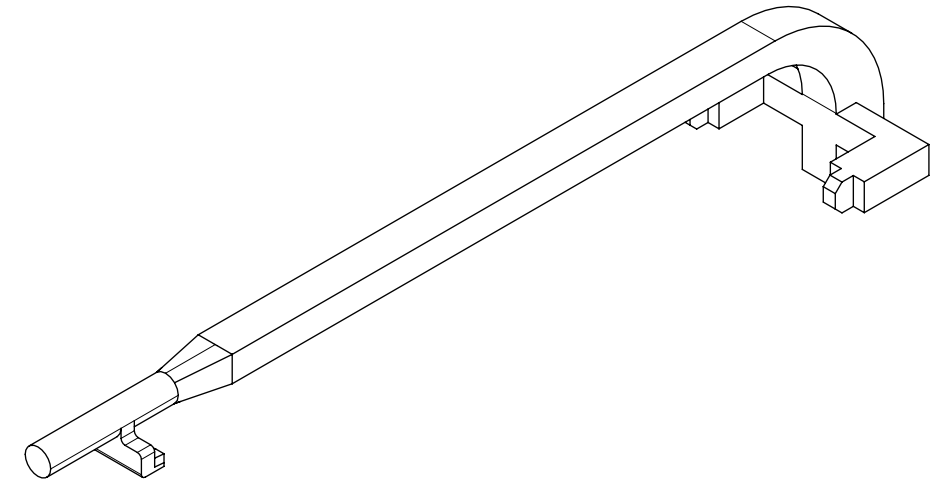
HEATSINK AND LIGHT PIPE OPTIONS

HEATSINK ONLY

SINGLE LIGHT PIPE

DUAL LIGHT PIPE

QUAD LIGHT PIPE

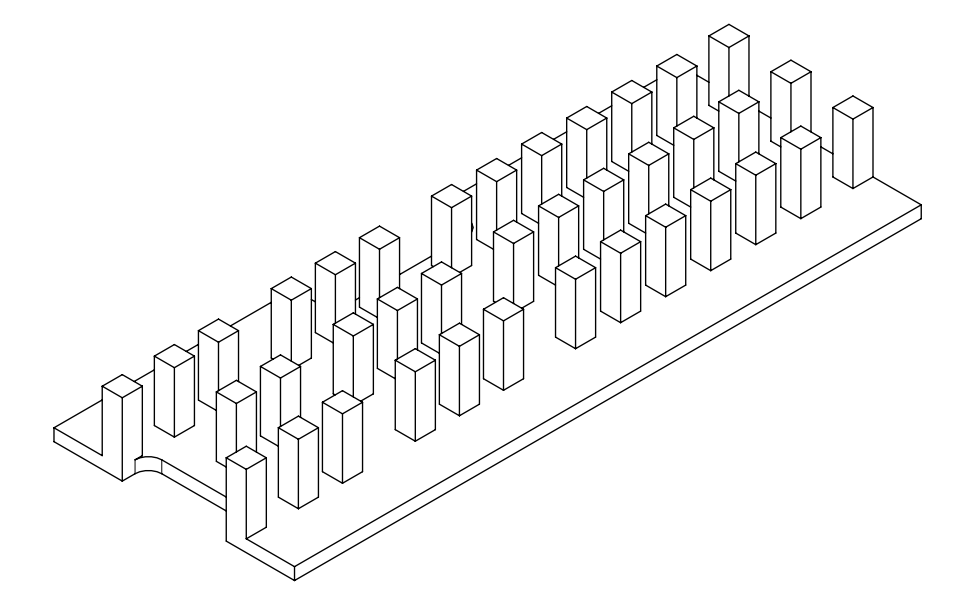
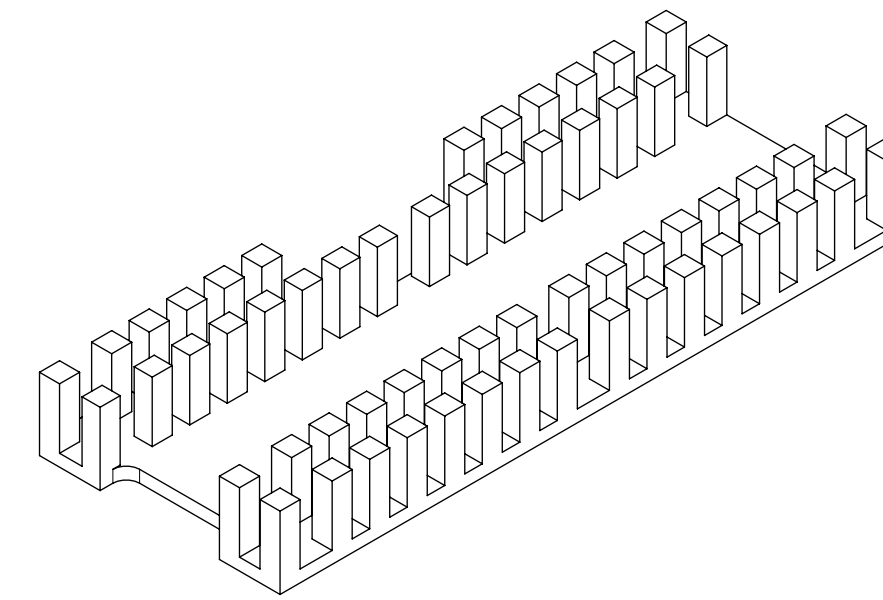
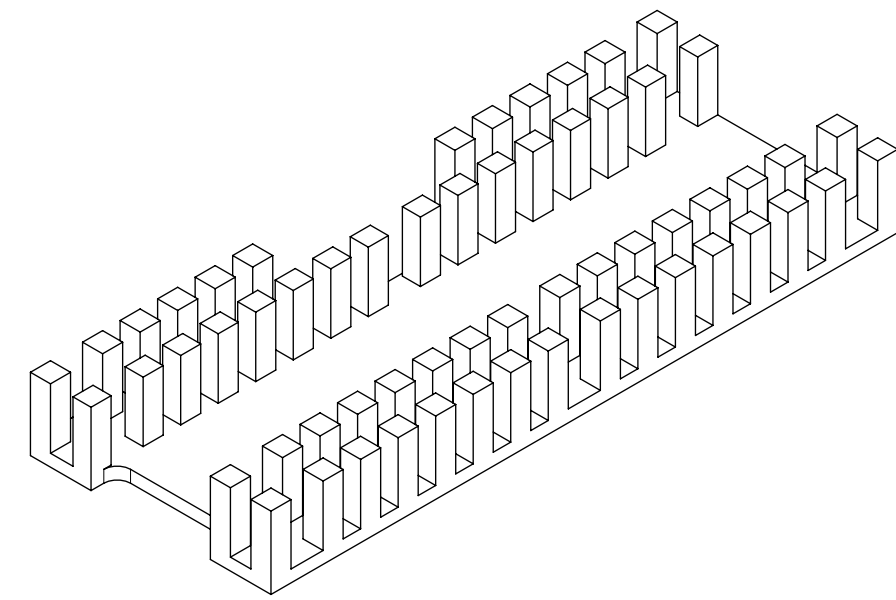
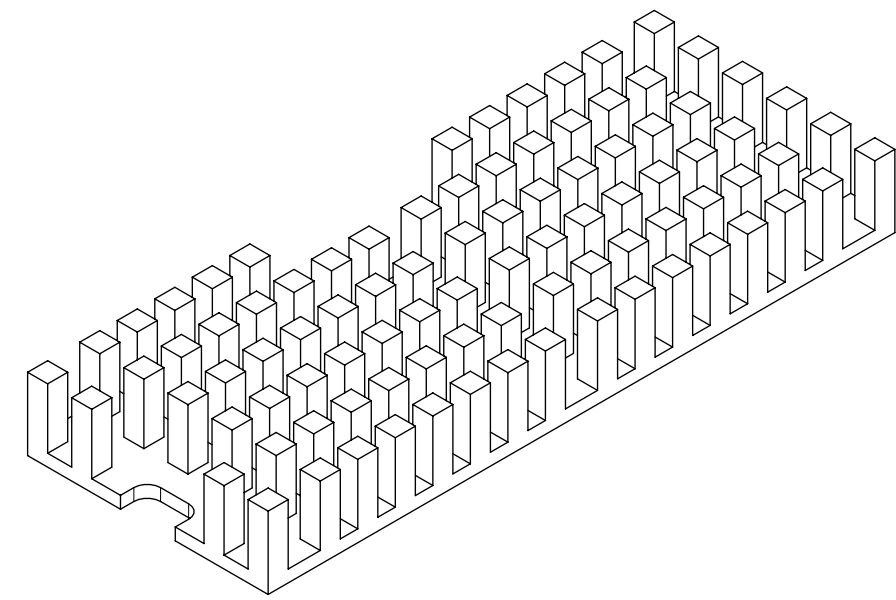


PIN FIELD HEATSINK FOR NO LIGHT PIPE

PIN FIELD HEATSINK FOR SINGLE LIGHT PIPE

PIN FIELD HEATSINK FOR DUAL LIGHT PIPE

PIN FIELD HEATSINK FOR QUAD LIGHT PIPE

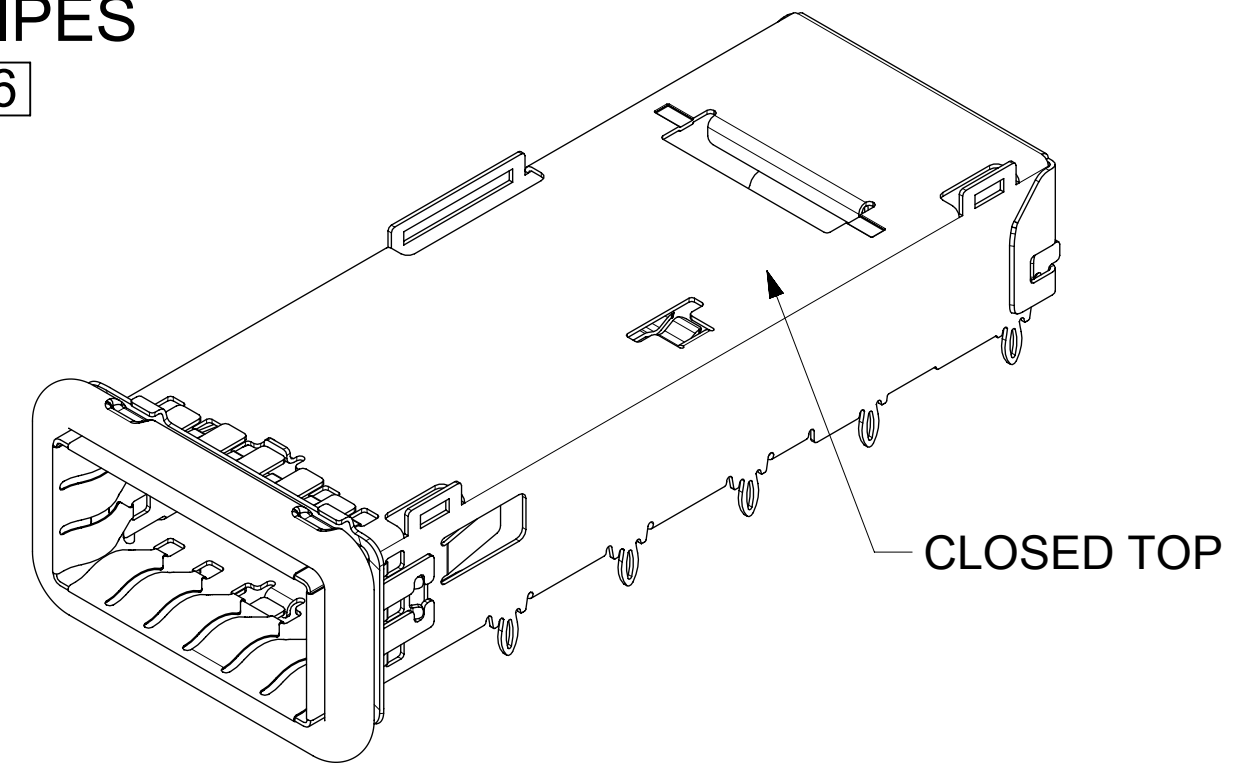


NOTES:
 1. MATERIALS:
 LIGHT PIPE: LEXAN 940A
 HEATSINK: ALUMINUM (BLACK ANNOIDIZED)

THIS DRAWING CONTAINS INFORMATION THAT IS PROPRIETARY TO MOLEX ELECTRONIC TECHNOLOGIES, LLC AND SHOULD NOT BE USED WITHOUT WRITTEN PERMISSION											
DIMENSION UNITS		SCALE		CURRENT REV DESC: SEE REV TABLE.							
mm		2.5:1									
GENERAL TOLERANCES (UNLESS SPECIFIED)				EC NO: 735397							
ANGULAR TOL ± 1.0°				DRWN: VISHNM2 2022/10/19							
4 PLACES ±				CHK'D: PRARTP 2023/01/18							
3 PLACES ±				APPR: SCHIEN 2023/01/18							
2 PLACES ± 0.13				INITIAL REVISION:							
1 PLACE ± 0.25				DRWN: PKH 2022/05/27							
0 PLACES ±				APPR: SCHIEN 2022/07/07							
DRAFT WHERE APPLICABLE MUST REMAIN WITHIN DIMENSIONS				THIRD ANGLE PROJECTION		DRAWING		SERIES		MATERIAL NUMBER	
						D-SIZE		74750		SEE SHEET 4	
DOCUMENT STATUS				DOC TYPE		DOC PART		REVISION		SHEET NUMBER	
P1				PSD		ASY		A1		3 OF 9	
RELEASE DATE		2023/01/18		07:47:29							

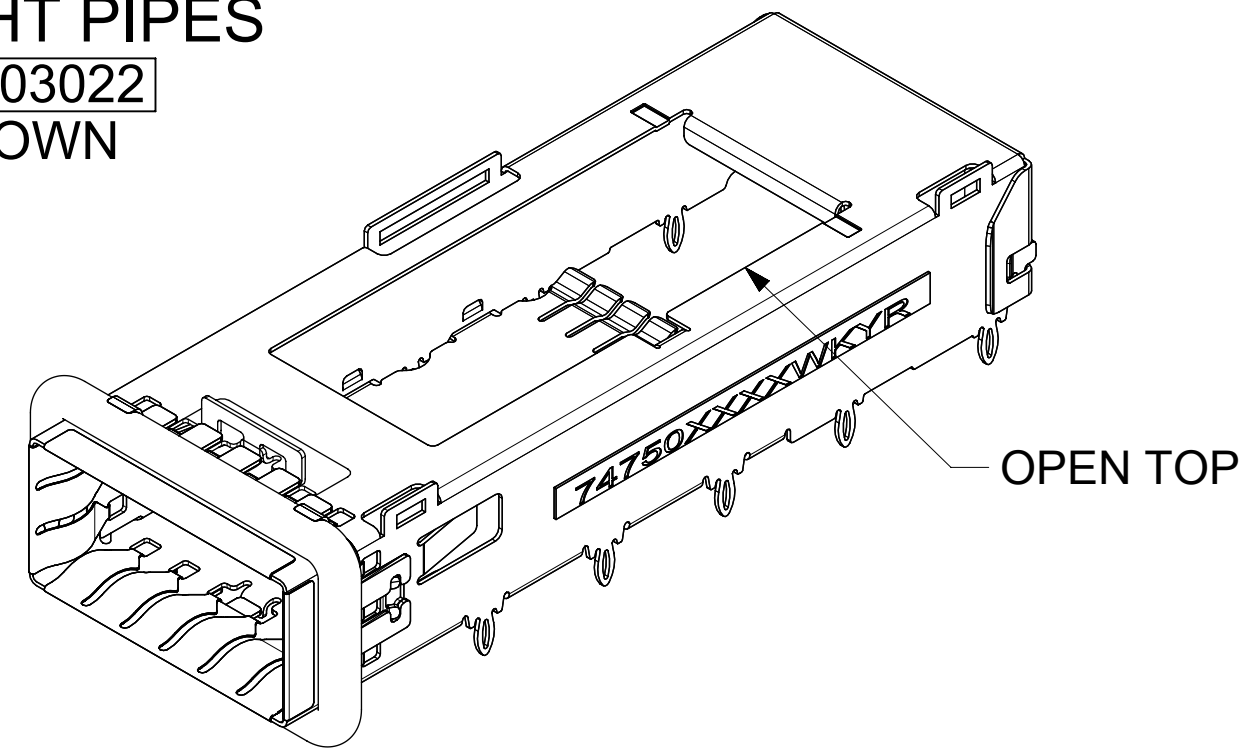
PART NUMBER SELECTION

NO HEATSINKS
NO LIGHT PIPES
747503026
SHOWN



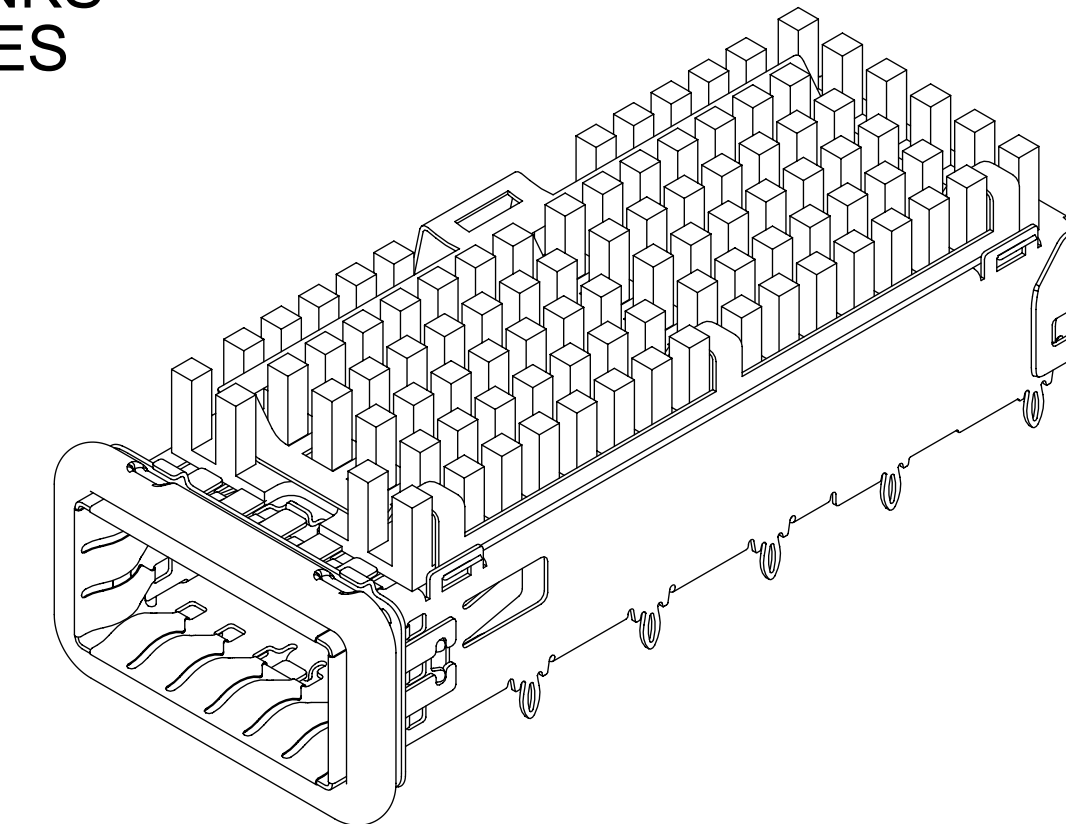
MOLEX P/N		LEG TYPE	# OF REAR LEGS PER PORT
WITH 2.62 REF ROUND ELASTOMERIC GASKET	WITH 2.49 REF SQUARE ELASTOMERIC GASKET		
747503026	---	EN	2

NO HEATSINKS
NO LIGHT PIPES
747503022
SHOWN



MOLEX P/N		LEG TYPE	# OF REAR LEGS PER PORT
WITH 2.62 REF ROUND ELASTOMERIC GASKET	WITH 2.49 REF SQUARE ELASTOMERIC GASKET		
747503022	---	EN	2
747503025	---	EN	-
747503094	---	EN	2
747503200	---	TD	2

WITH HEATSINKS
NO LIGHT PIPES
747503041
SHOWN

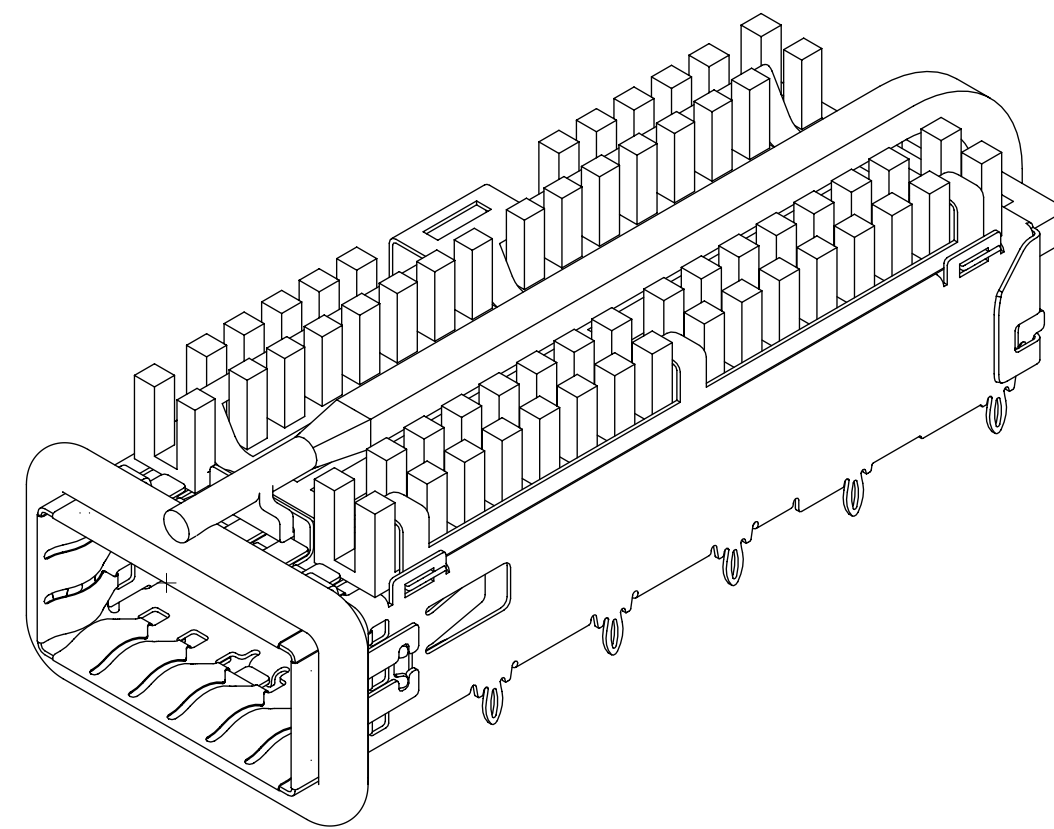


MOLEX P/N		HEAT-SINKS	LEG TYPE	# OF REAR LEGS PER PORT
WITH 2.62 REF ROUND ELASTOMERIC GASKET	WITH 2.49 REF SQUARE ELASTOMERIC GASKET			
747503041	---	SAN	EN	2
747503047	---	NET	EN	2
747503048	---	CUSTOM	EN	2
747503242	---	PCI	TD	2

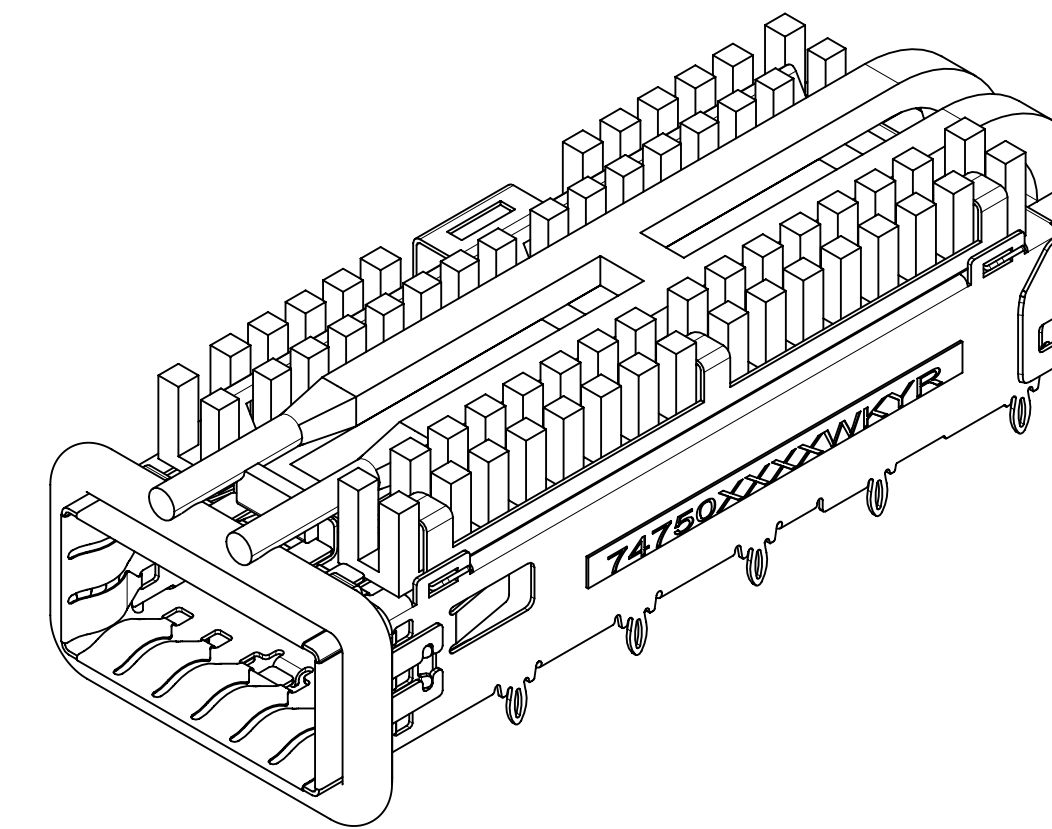
WITH OR WITHOUT HEATSINKS AND LIGHT PIPES

MOLEX P/N		LIGHT PIPES	HEAT-SINKS	LEG TYPE	# OF REAR LEGS PER PORT	LIGHT PIPE LENGTH
WITH 2.62 REF ROUND ELASTOMERIC GASKET	WITH 2.49 REF SQUARE ELASTOMERIC GASKET					
747503070	---	SINGLE	SAN	EN	2	55.0
747503072	---	DUAL	SAN	EN	2	
747503073	---	DUAL	NET	EN	2	
747503571	---	QUAD	SAN	EN	2	55.0
747503577	---	DUAL	SAN	TD	2	
747503578	---	DUAL	NET	TD	2	

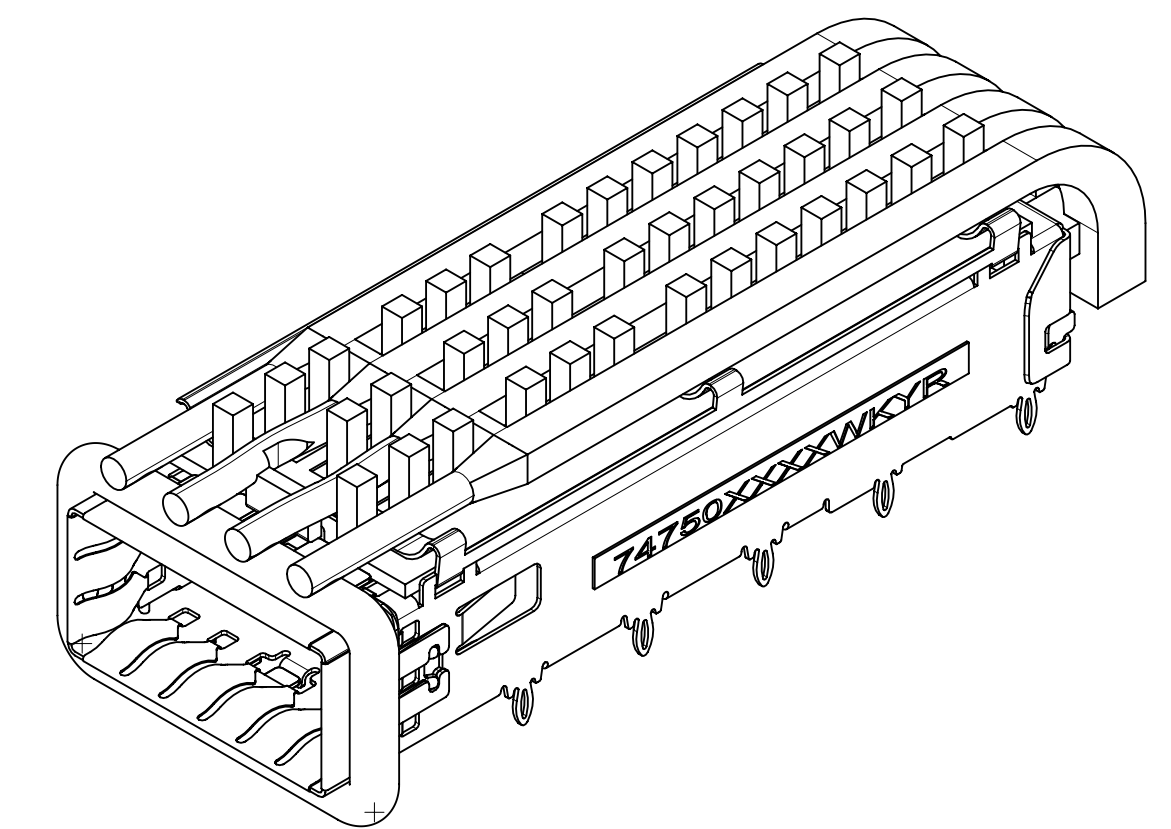
SINGLE LIGHT PIPE
747503070
SHOWN



DUAL LIGHT PIPES
747503072
SHOWN



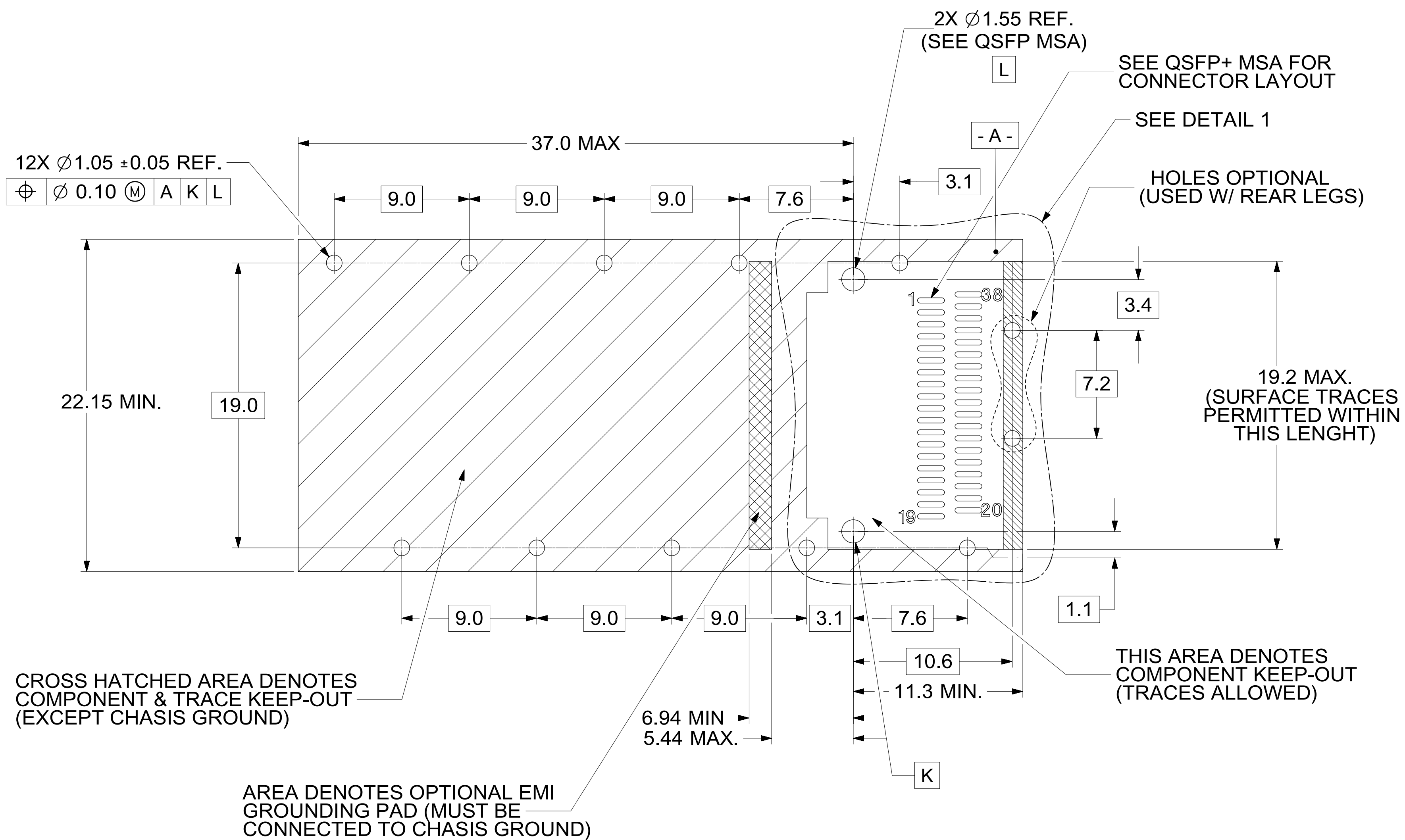
QUAD LIGHT PIPES
747503571
SHOWN



THIS DRAWING CONTAINS INFORMATION THAT IS PROPRIETARY TO MOLEX ELECTRONIC TECHNOLOGIES, LLC AND SHOULD NOT BE USED WITHOUT WRITTEN PERMISSION									
DIMENSION UNITS	SCALE	CURRENT REV DESC: SEE REV TABLE.							
mm	2.5:1	<p>molex</p> <p>QSFP+ 1X1 CAGE ASSEMBLY W / ELASTOMERIC GASKET, SUS INNER SPRING FINGER (ROUND & SQUARE)</p> <p>PRODUCT CUSTOMER DRAWING</p>							
GENERAL TOLERANCES (UNLESS SPECIFIED)									
ANGULAR TOL	± 1.0°	EC NO: 735397	2022/10/19		DOCUMENT NUMBER		DOC TYPE	DOC PART	REVISION
4 PLACES	±	DRWN: VISHNM2	2023/01/18		747503022		PSD	ASY	A1
3 PLACES	±	CHK'D: PRARTP	2023/01/18		MATERIAL NUMBER		CUSTOMER		
2 PLACES	± 0.13	APPR: SCHIEN	2023/01/18		SERIES		SHEET NUMBER		
1 PLACE	± 0.25	INITIAL REVISION:	2022/05/27		74750		4 OF 9		
0 PLACES	±	DRWN: PKH	2022/07/07		SEE P/N TABLE				
DRAFT WHERE APPLICABLE MUST REMAIN WITHIN DIMENSIONS		THIRD ANGLE PROJECTION	DRAWING	SERIES					
			D-SIZE	74750					

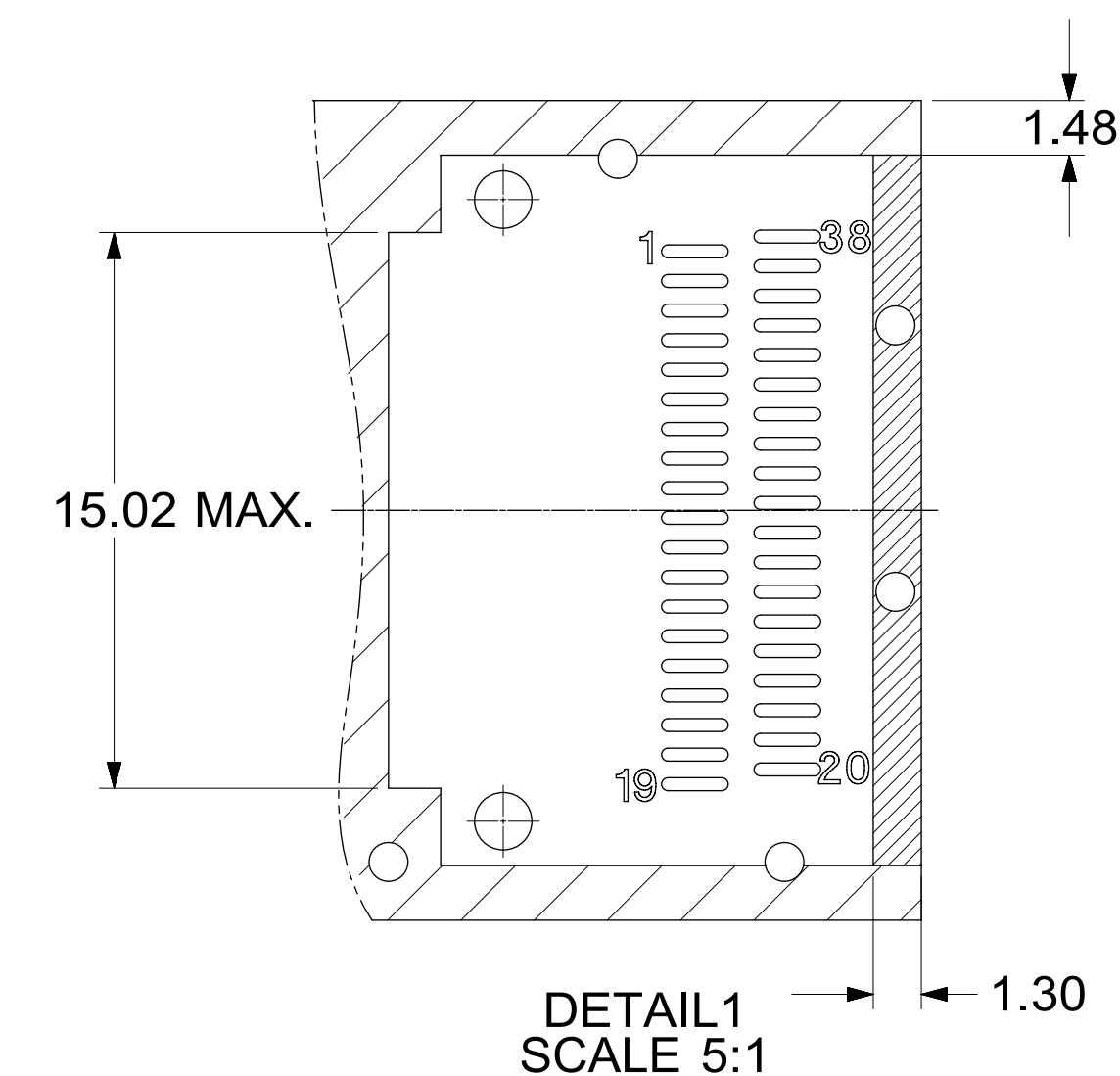
NOTE:
1. LEG TYPE:
EN - EYE OF THE NEEDLE
TD - TEAR DROP

PCB LAYOUT FOR SINGLE SIDED APPLICATIONS

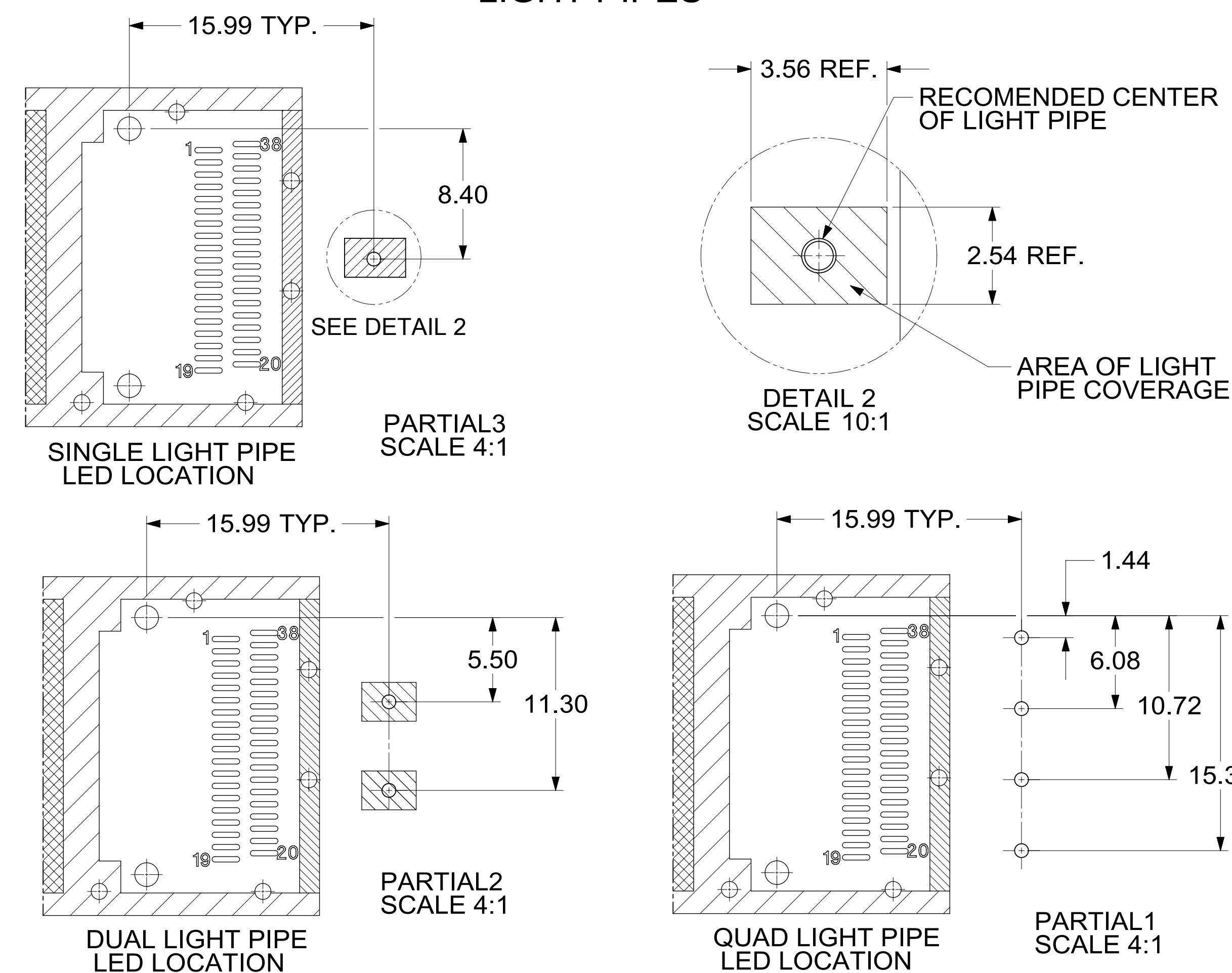


- NOTES:
- DATUM -A- IS TOP SURFACE OF HOST BOARD PER MSA
 - FINISHED HOLE SIZE (AFTER PLATING)
 - DATUM -K- IS HOST BOARD THRU HOLE #1 TO ACCEPT CONNECTOR GUIDE POST PER MSA
 - DATUM -L- IS HOST BOARD THRU HOLE #2 TO ACCEPT CONNECTOR GUIDE POST PER MSA
 - SINGLE SIDED BOARD THICKNESS:
 NOMINAL: 1.60 mm
 MINIMUM: 1.44 mm

HOST CONNECTOR DETAIL

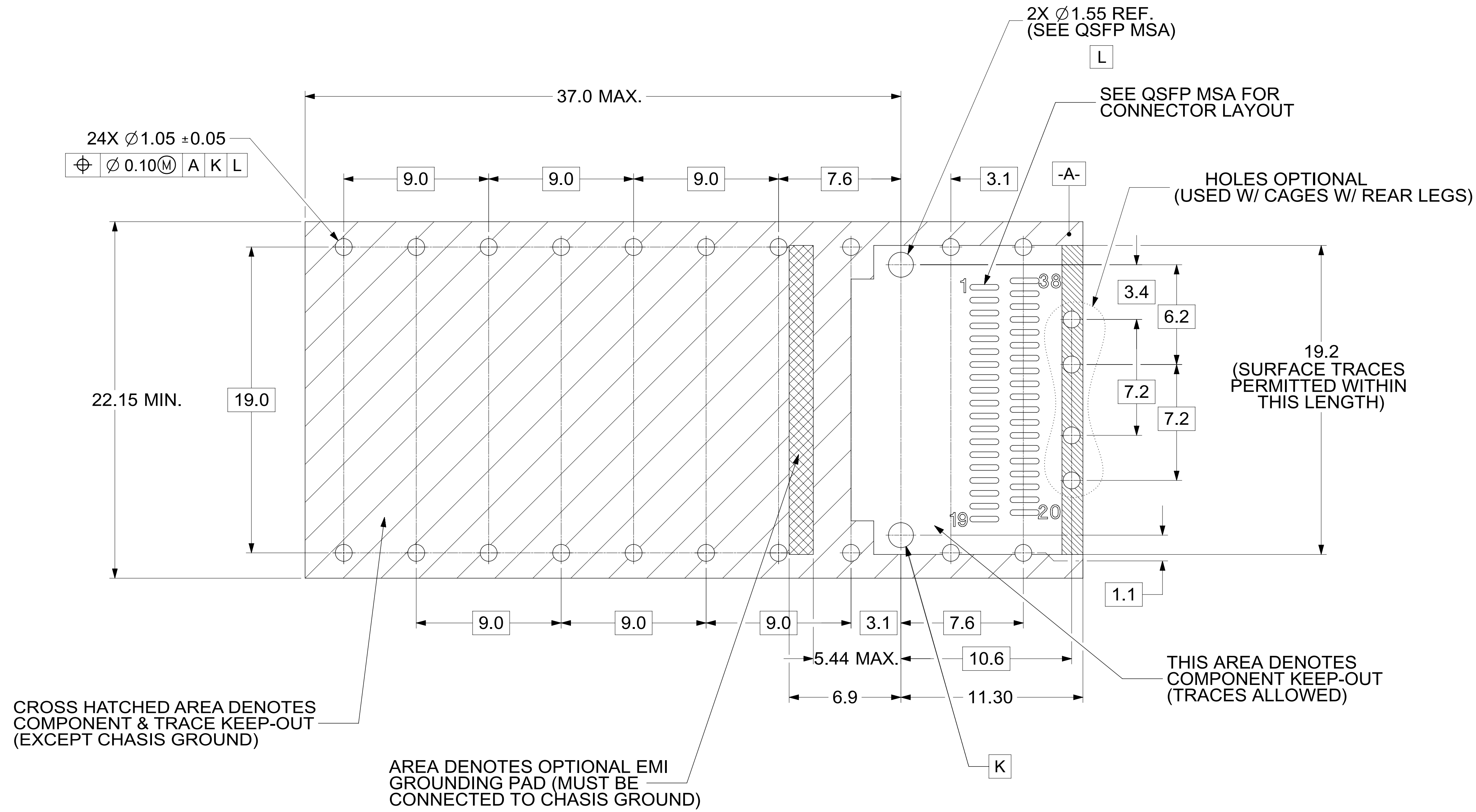


FOR CAGE ASSEMBLIES WITH LIGHT PIPES



THIS DRAWING CONTAINS INFORMATION THAT IS PROPRIETARY TO MOLEX ELECTRONIC TECHNOLOGIES, LLC AND SHOULD NOT BE USED WITHOUT WRITTEN PERMISSION									
DIMENSION UNITS	SCALE	CURRENT REV DESC: SEE REV TABLE.							
mm	4:1								
GENERAL TOLERANCES (UNLESS SPECIFIED)									
ANGULAR TOL	$\pm 1.0^\circ$								
4 PLACES	\pm	EC NO: 735397							
3 PLACES	\pm	DRWN: VISHNM2	2022/10/19						
2 PLACES	± 0.13	CHK'D: PRARTP	2023/01/18						
1 PLACE	± 0.25	APPR: SCHIEN	2023/01/18						
0 PLACES	\pm	INITIAL REVISION:							
DRAFT WHERE APPLICABLE MUST REMAIN WITHIN DIMENSIONS		DRWN: PKH	2022/05/27						
		APPR: SCHIEN	2022/07/07						
THIRD ANGLE PROJECTION		DRAWING	SERIES	MATERIAL NUMBER	CUSTOMER	DOC TYPE	DOC PART	REVISION	SHEET NUMBER
D-SIZE		74750	747503022	SEE SHEET 4		PSD	ASY	A1	5 OF 9

PCB LAYOUT FOR BELLY-TO-BELLY APPLICATIONS



NOTE:
FOR RECOMENDED CENTER
OF LIGHT PIPES,
SEE SHEET 5

CROSS HATCHED AREA DENOTES
COMPONENT & TRACE KEEP-OUT
(EXCEPT CHASIS GROUND)

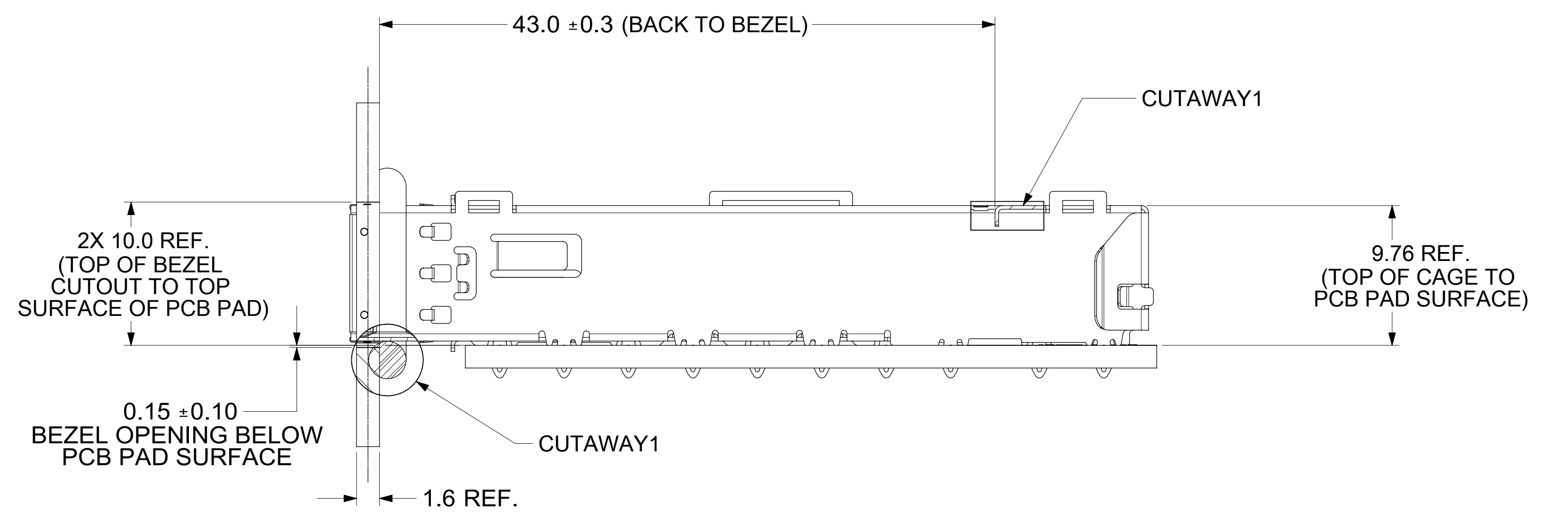
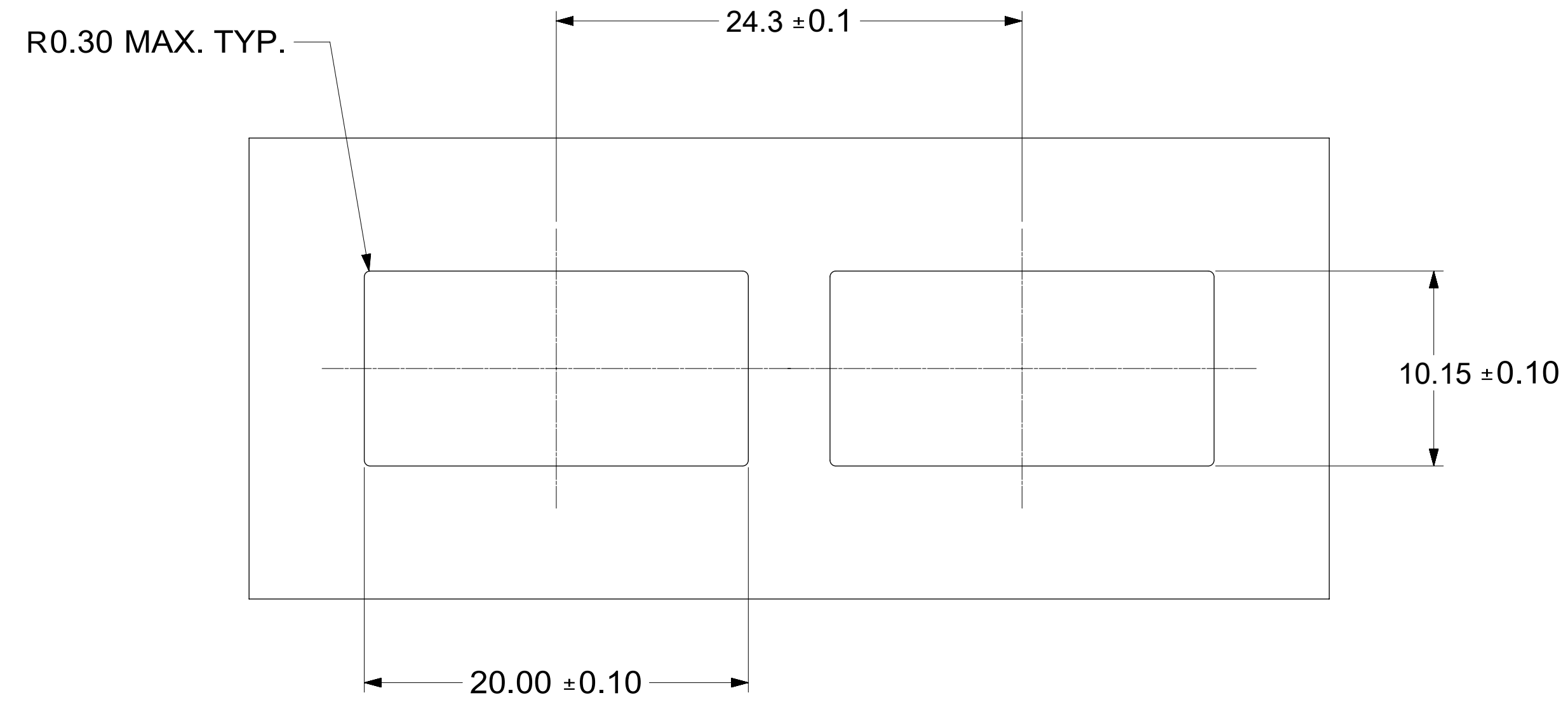
AREA DENOTES OPTIONAL EMI
GROUNDING PAD (MUST BE
CONNECTED TO CHASIS GROUND)

THIS AREA DENOTES
COMPONENT KEEP-OUT
(TRACES ALLOWED)

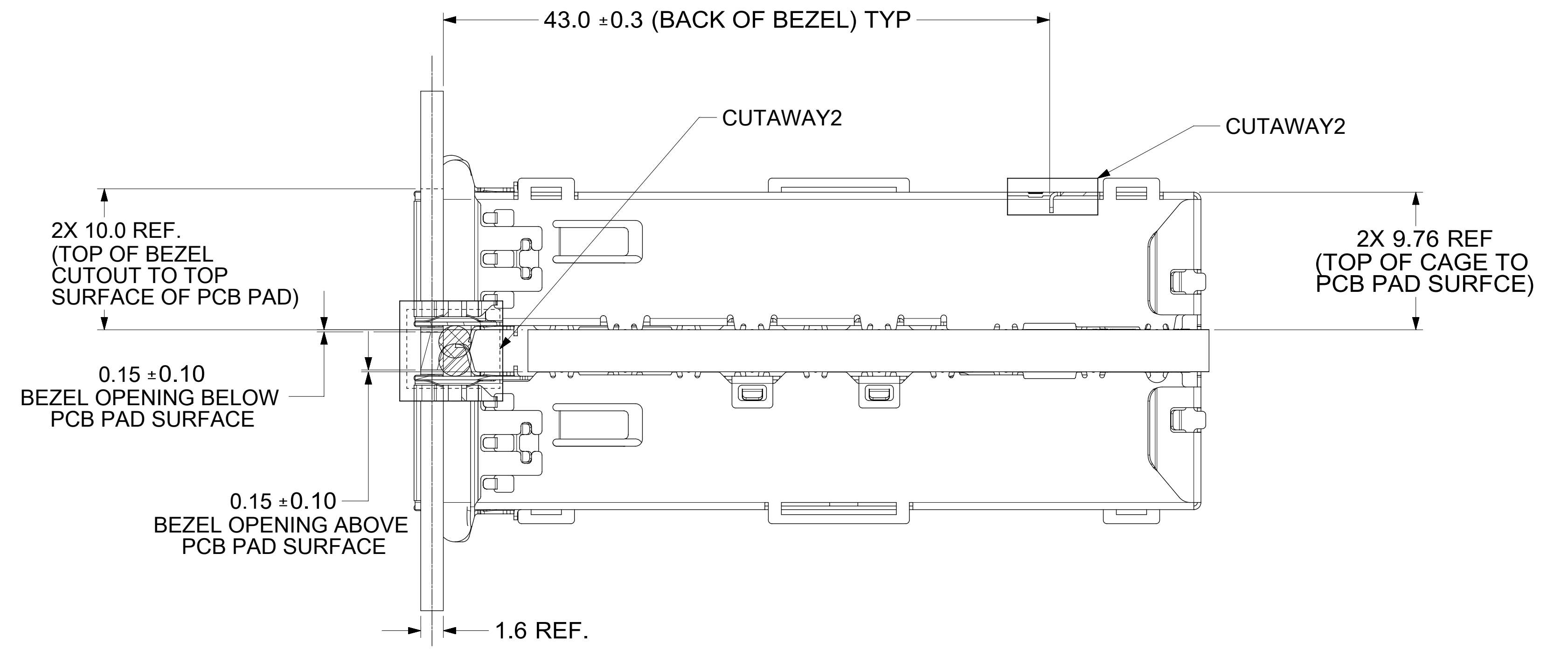
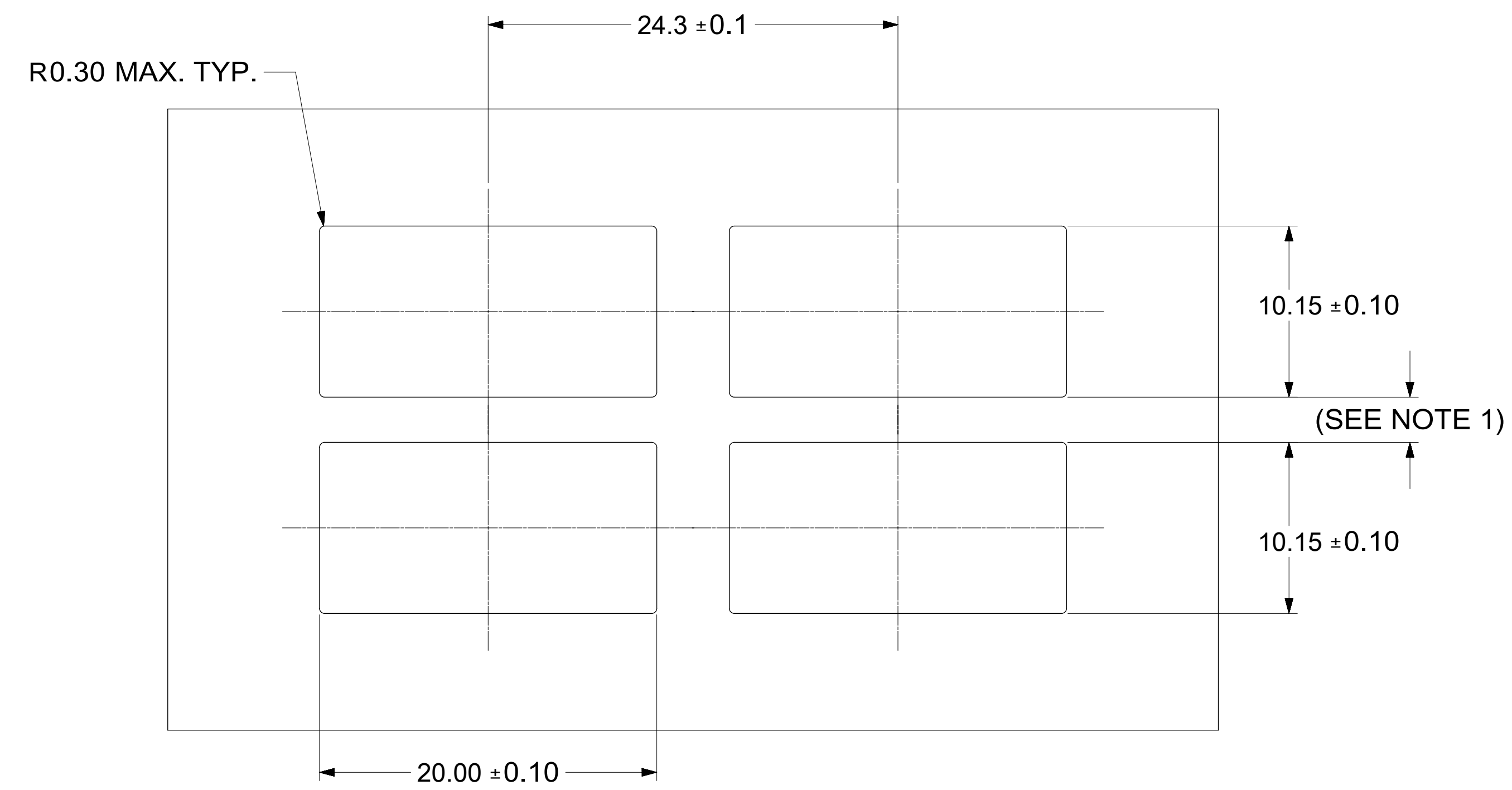
- NOTES:
- DATUM -A- IS TOP SURFACE OF HOST BOARD PER MSA
 - FINISHED HOLE SIZE (AFTER PLATING)
 - DATUM -K- IS HOST BOARD THRU HOLE #1 TO ACCEPT CONNECTOR GUIDE POST PER MSA
 - DATUM -L- IS HOST BOARD THRU HOLE #2 TO ACCEPT CONNECTOR GUIDE POST PER MSA
 - BELLY TO BELLY BOARD THICKNESS:
NOMINAL: 2.90 mm
MINIMUM: 2.48 mm

THIS DRAWING CONTAINS INFORMATION THAT IS PROPRIETARY TO MOLEX ELECTRONIC TECHNOLOGIES, LLC AND SHOULD NOT BE USED WITHOUT WRITTEN PERMISSION											
DIMENSION UNITS mm		SCALE 6:1		CURRENT REV DESC: SEE REV TABLE.						molex	
GENERAL TOLERANCES (UNLESS SPECIFIED)				EC NO: 735397							
ANGULAR TOL ± 1.0°				DRWN: VISHNM2 2022/10/19						PRODUCT CUSTOMER DRAWING	
4 PLACES ±				CHK'D: PRARTP 2023/01/18						DOCUMENT NUMBER	
3 PLACES ±				APPR: SCHIEN 2023/01/18						747503022	
2 PLACES ± 0.13				INITIAL REVISION:						DOC TYPE	
1 PLACE ± 0.25				DRWN: PKH 2022/05/27						PSD	
0 PLACES ±				APPR: SCHIEN 2022/07/07						DOC PART	
DRAFT WHERE APPLICABLE MUST REMAIN WITHIN DIMENSIONS				THIRD ANGLE PROJECTION		DRAWING		SERIES		REVISION	
				D-SIZE		74750		CUSTOMER		A1	
DOCUMENT STATUS				MATERIAL NUMBER		SEE SHEET 4		SHEET NUMBER		6 OF 9	
P1		RELEASE DATE		2023/01/18 07:47:29							

BEZEL AND BOARD POSITION DIMENSIONS FOR SINGLE SIDE MOUNTING



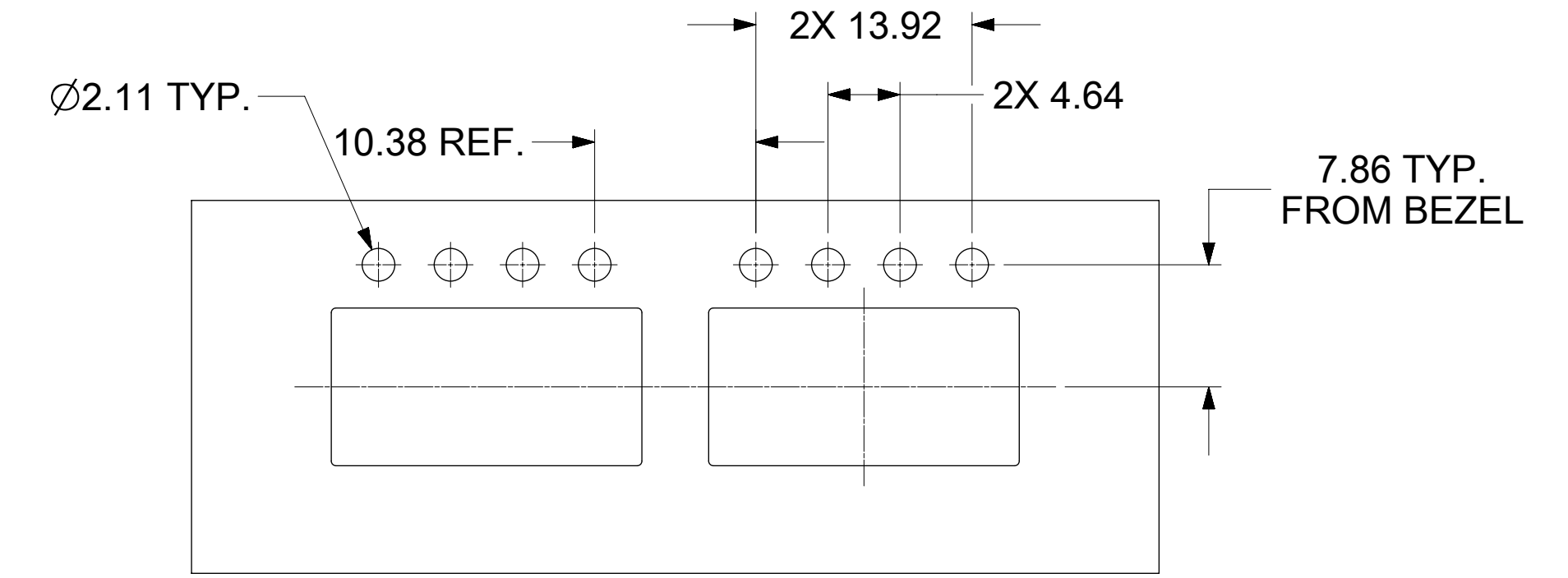
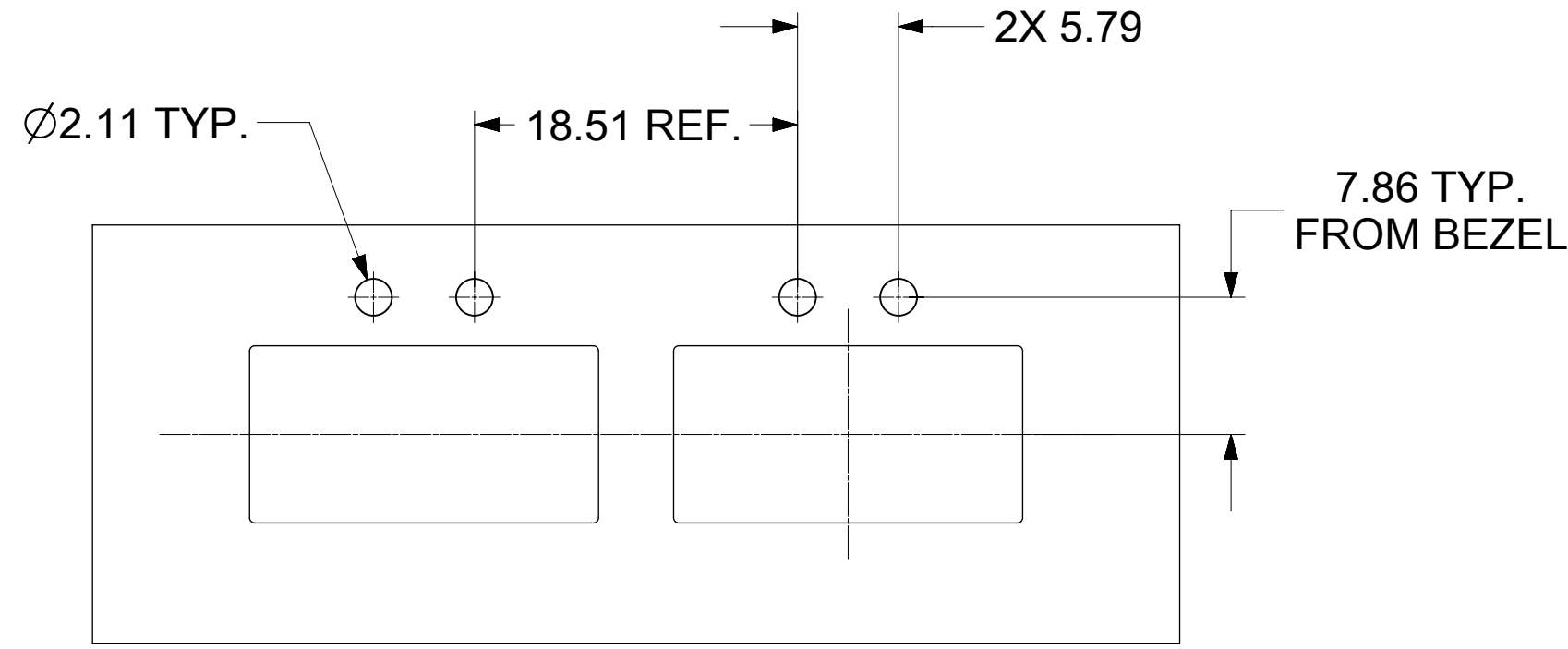
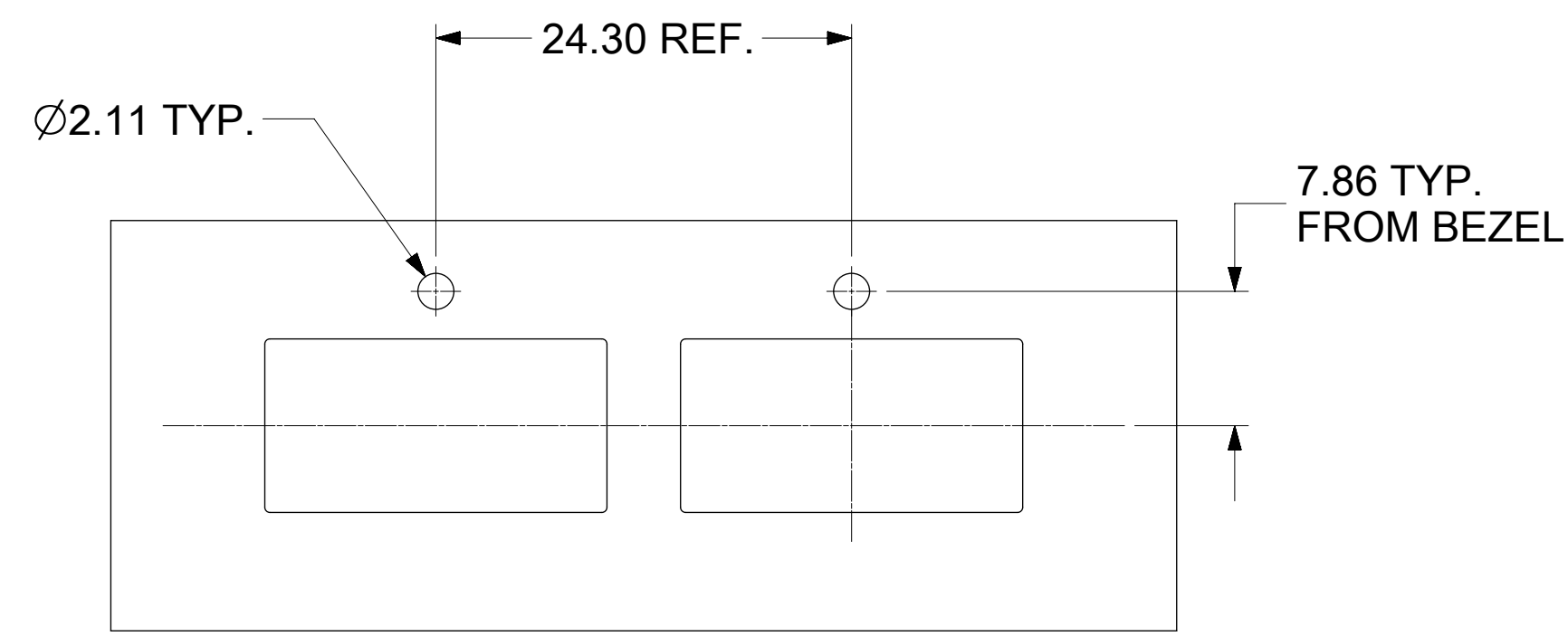
BEZEL AND BOARD POSITION DIMENSIONS FOR BELLY TO BELLY MOUNTING



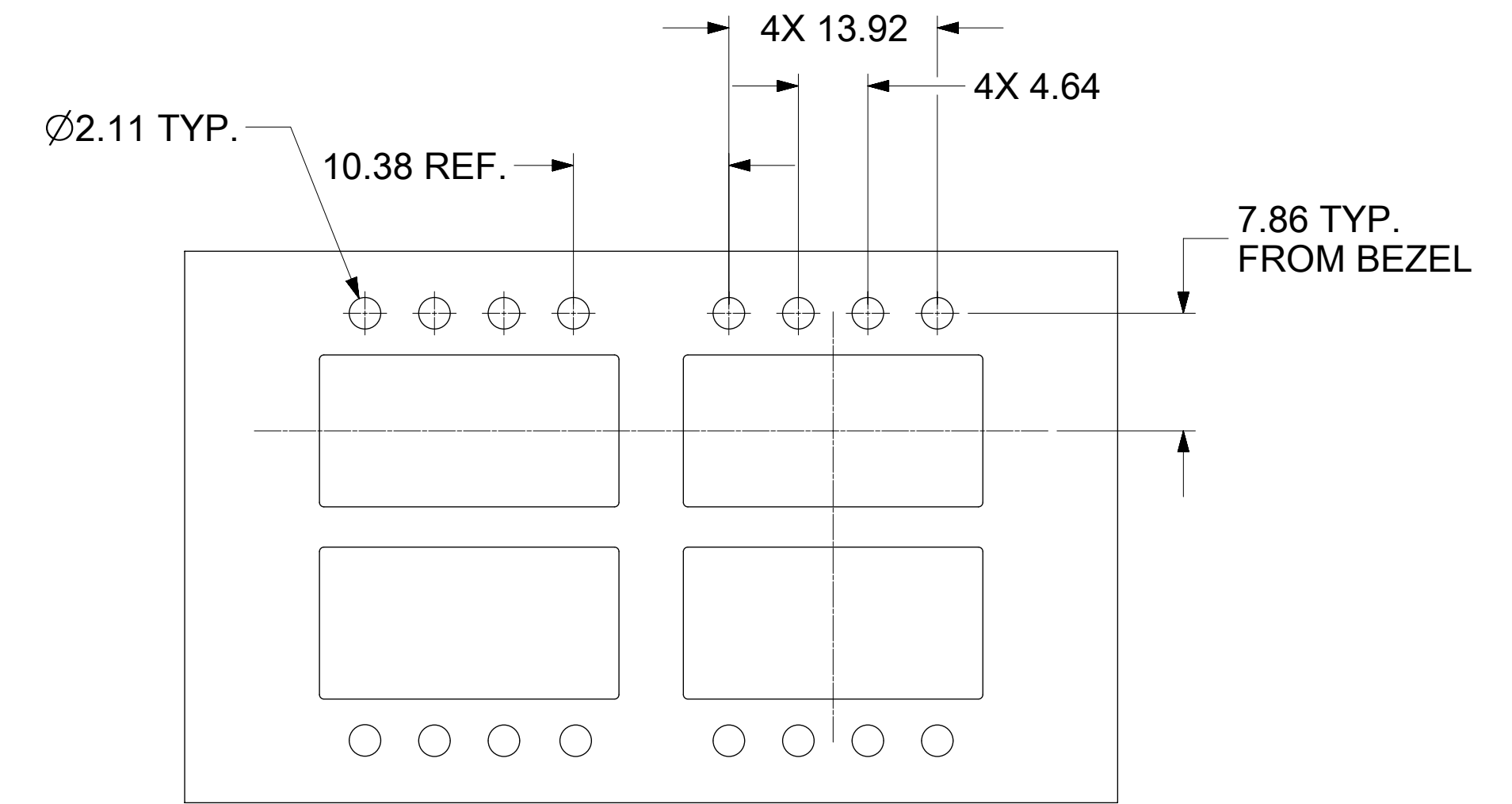
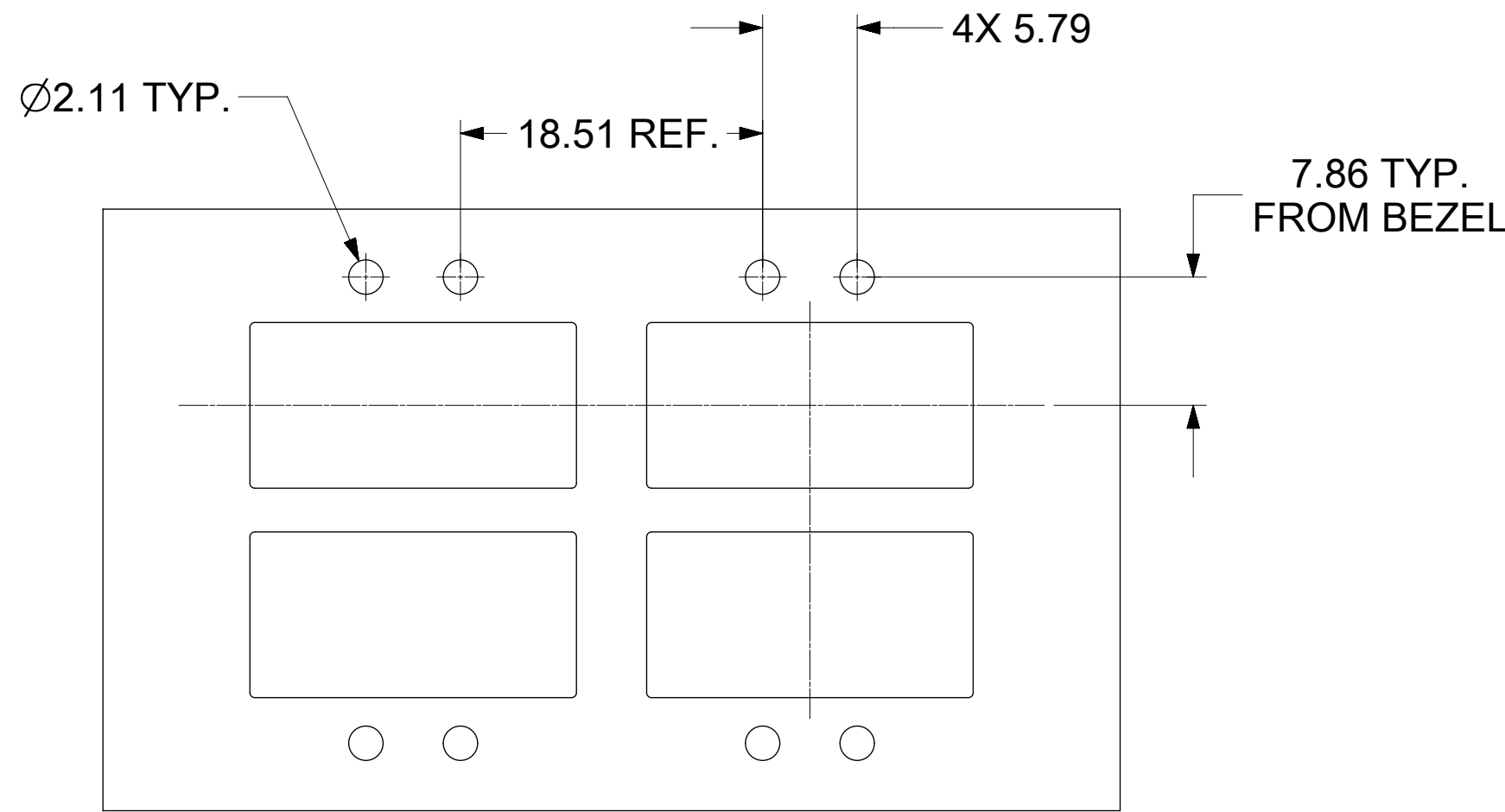
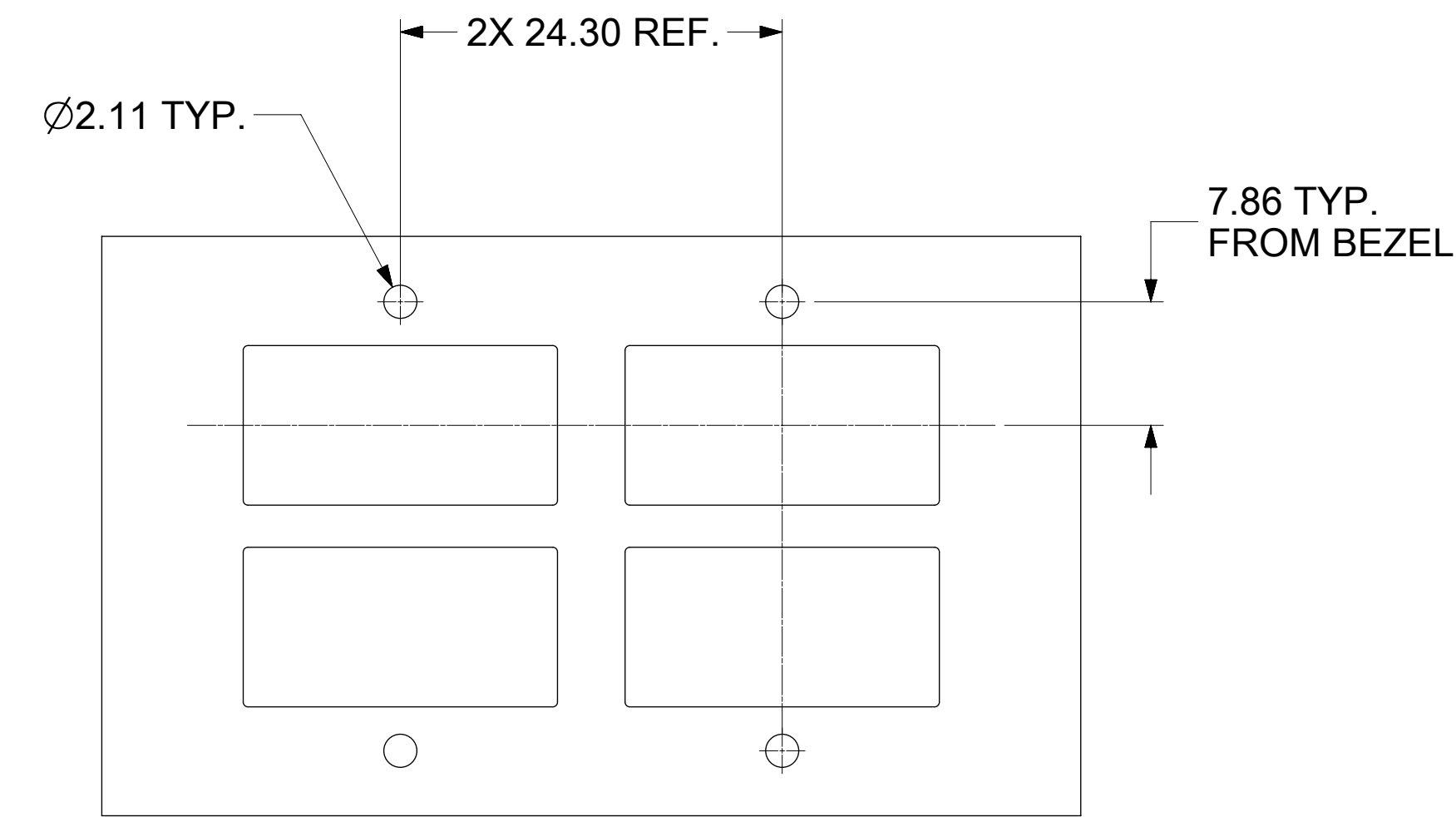
NOTE:
1. PCB THICKNESS VARIATION MUST BE CONSIDERED WHEN DETERMINING BEZEL OPENING, SIZE, AND LOCATION.

THIS DRAWING CONTAINS INFORMATION THAT IS PROPRIETARY TO MOLEX ELECTRONIC TECHNOLOGIES, LLC AND SHOULD NOT BE USED WITHOUT WRITTEN PERMISSION									
DIMENSION UNITS	SCALE	CURRENT REV DESC: SEE REV TABLE.							
mm	4:1	<p>molex</p> <p>QSFP+ 1X1 CAGE ASSEMBLY W / ELASTOMERIC GASKET, SUS INNER SPRING FINGER (ROUND & SQUARE)</p> <p>PRODUCT CUSTOMER DRAWING</p>							
GENERAL TOLERANCES (UNLESS SPECIFIED)									
ANGULAR TOL	± 1.0°								
4 PLACES	±								
3 PLACES	±								
2 PLACES	± 0.13	EC NO: 735397	2022/10/19	DOCUMENT NUMBER	DOC TYPE	DOC PART	REVISION		
1 PLACE	± 0.25	DRWN: VISHNM2	2023/01/18	747503022	PSD	ASY	A1		
0 PLACES	±	CHK'D: PRARTP	2023/01/18	MATERIAL NUMBER	CUSTOMER		SHEET NUMBER		
DRAFT WHERE APPLICABLE MUST REMAIN WITHIN DIMENSIONS		APPR: SCHIEN	2023/01/18	SEE SHEET 4			7 OF 9		
		INITIAL REVISION:	2022/05/27						
		DRWN: PKH	2022/07/07						
		APPR: SCHIEN							
		THIRD ANGLE PROJECTION	DRAWING	SERIES					
			D-SIZE	74750					

BEZEL LIGHT PIPE CUTOUT POSITION DIMENSIONS FOR SINGLE SIDE MOUNTING



BEZEL LIGHT PIPE CUTOUT POSITION DIMENSIONS FOR BELLY-TO-BELLY MOUNTING



NOTE:
1. PCB THICKNESS VARIATION MUST BE CONSIDERED WHEN DETERMINING BEZEL OPENING, SIZE, AND LOCATION.

THIS DRAWING CONTAINS INFORMATION THAT IS PROPRIETARY TO MOLEX ELECTRONIC TECHNOLOGIES, LLC AND SHOULD NOT BE USED WITHOUT WRITTEN PERMISSION												
DIMENSION UNITS		SCALE		CURRENT REV DESC: SEE REV TABLE.								
mm		2.5:1										
GENERAL TOLERANCES (UNLESS SPECIFIED)				EC NO: 735397		2022/10/19		QSFP+ 1X1 CAGE ASSEMBLY W / ELASTOMERIC GASKET, SUS INNER SPRING FINGER (ROUND & SQUARE)				
ANGULAR TOL ± 1.0°				DRWN: VISHNM2		2023/01/18		PRODUCT CUSTOMER DRAWING				
4 PLACES ±				CHK'D: PRARTP		2023/01/18		DOCUMENT NUMBER				
3 PLACES ±				APPR: SCHIEN		2023/01/18		747503022		PSD	ASY	REVISION
2 PLACES ± 0.13				INITIAL REVISION:		2022/05/27		8 OF 9		A1		
1 PLACE ± 0.25				DRWN: PKH		2022/07/07		MATERIAL NUMBER	CUSTOMER	SHEET NUMBER		
0 PLACES ±				APPR: SCHIEN				SEE SHEET 4				
DRAFT WHERE APPLICABLE MUST REMAIN WITHIN DIMENSIONS				THIRD ANGLE PROJECTION		DRAWING		SERIES	MATERIAL NUMBER	CUSTOMER	SHEET NUMBER	
						D-SIZE		74750	SEE SHEET 4			

