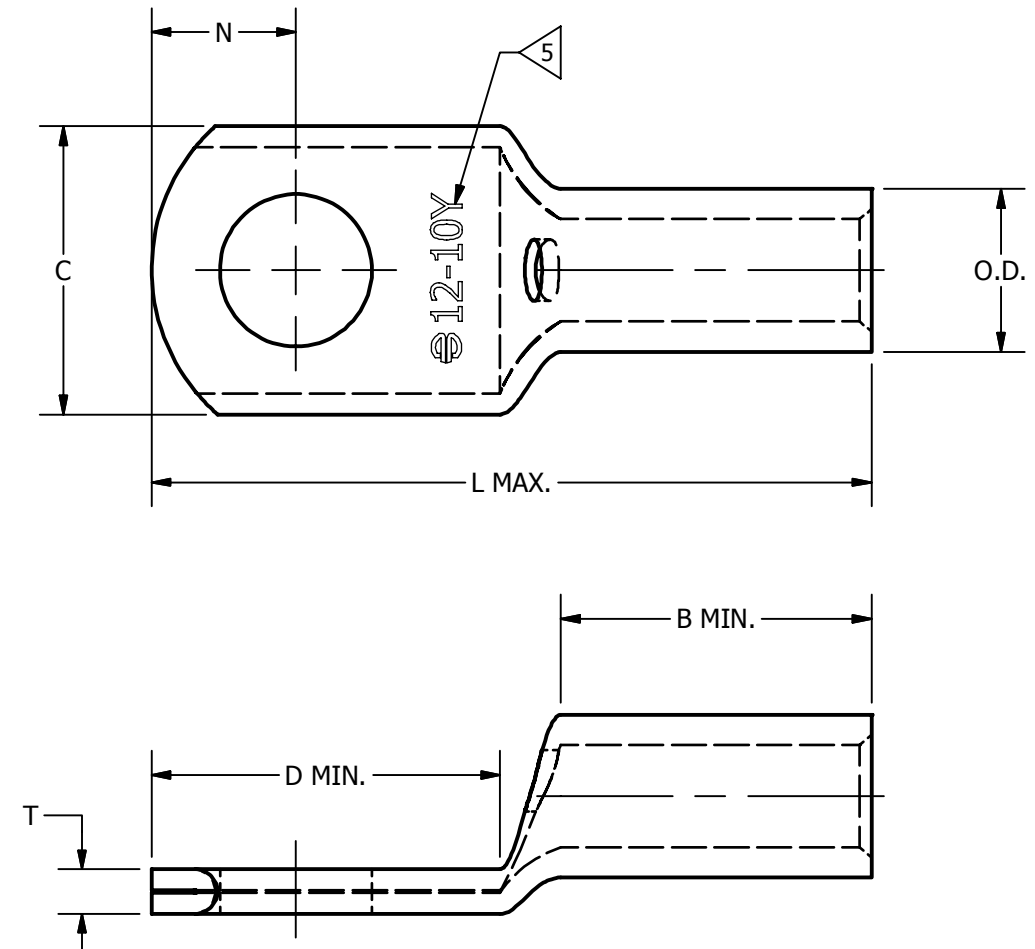


BURNDY CATALOG NUMBER	COPPER AIRCRAFT CABLE MIL-W-5036	MS26059 DASH NO.	STUD SIZE	C	D MIN.	L MAX.	N	O.D.	T	B MIN.	TOOL INDEX NUMBER
YAV18T4	AN 22 - 18	--	3-4	.19 [5]	.26 [7]	.62 [16]	.09 [2]	.13 [3]	.05 [1]	.21 [5]	1
YAV18L33		--	4-6	.25 [6]	.31 [8]	.60 [15]	.13 [3]		.04 [1]		
YAV18T5		--	4-6	.32 [8]	.40 [10]	.76 [19]	.16 [4]		.03 [1]		
YAV18T1		--	6-8								
YAV18		--	8-10								
YAV14T5	AN 16 - 14	--	4-6	.30 [8]	.40 [10]	.78 [20]	.16 [4]	.16 [4]	.04 [1]	.25 [6]	2
YAV14T1		--	6-8								
YAV14		--	8-10								
YAV14T2		--	1/4	.42 [11]	.58 [15]	.99 [25]	.25 [6]		.03 [1]		
YAV14T3		--	5/16	.44 [11]							
YAV10T7	AN 12 - 10	165	4-6	.30 [8]	.41 [10]	.93 [24]	.16 [4]	.21 [5]	.07 [2]	.39 [10]	4
YAV10T11		--	6-8	.38 [10]	.45 [11]	.97 [25]	.19 [5]		.06 [2]	.40 [10]	
YAV10		102	8-10								
YAV10L36		--	8-10	.29 [7]	.34 [9]	.86 [22]	.16 [4]		.07 [2]	.40 [10]	
YAV10T3		--	1/4	.47 [12]	.57 [15]	1.09 [28]	.23 [6]		.05 [1]	.39 [10]	
YAV10T2		106	5/16	.53 [14]	.61 [15]	1.13 [29]	.27 [7]		.04 [1]	.45 [11]	
YAV10T4		128	3/8	.56 [14]	.65 [17]	1.17 [30]	.28 [7]				

REV	DATE	DESCRIPTION	ECO	BY	CHK.
D	11/11/2015	CLARIFY STAMPING ON YAV18 LUGS, ITEM # 603910	42101	NG	RG



**NOTES:**

1. MATERIAL: SEAMLESS COPPER TUBING
2. FINISH: TIN PLATED
3. DIMENSIONS IN BRACKETS [ ] ARE IN MILLIMETERS ROUNDED OFF TO THE NEAREST MILLIMETER, UNLESS OTHERWISE SPECIFIED AND ARE FOR REFERENCE ONLY.

4 AVAILABLE WITH SILVER PLATING (ADD SUFFIX "SV") OR NICKEL PLATING (ADD SUFFIX "NK").

5 TYPICAL TONGUE MARKING (Y DENOTES COMPRESSION STYLE LUG) .

HYLUG™ (MULTI. PEEP HOLE)	
ITEM NO: SEE TABLE	
CAT. NO: YAV-- (SEE TABLE)	4
DRAWN BY: E.MARTIN 07/02/2013	
CHECKER: E.MARTIN 07/03/2013	
DSN APRVL: E.MARTIN 07/03/2013	
MFG APRVL: --	
QA APRVL: C ACKERMAN 08/22/2013	
MKT APRVL: M BAILLY 07/04/2013	
PROD FAM: --	DRAWING NO
PROJECT #: --	30024543
DOCUMENT TYPE: SALES	REV
REL LEVEL: Released	D