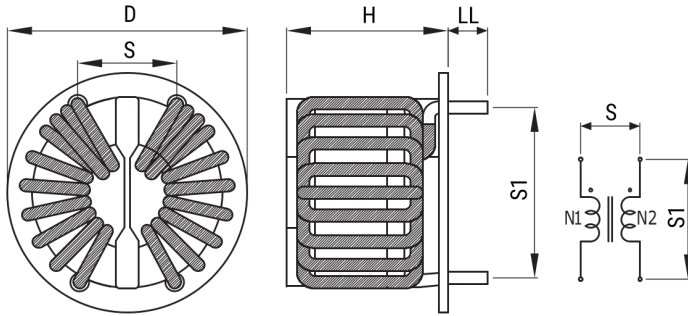


## SC-10-55JH

Aliases (UALSC1055JH000)

KEMET, SC-JH, AC Line Filters, Common Mode, 5.5 mH



Click [here](#) for the 3D model.

### Dimensions

D	51mm MAX
H	34mm MAX
LL	5mm +/-2mm
S	26mm NOM
S1	30mm NOM
Wire Size	1.4mm

### Packaging Specifications

Packaging	Tray
Packaging Quantity	100
Component Weight	112.3 g

### General Information

Series	SC-JH
Style	Through-Hole
RoHS	Yes
Notes	Lead Spacing (S/S1) Are For Reference Only.
Miscellaneous	Temperature Rise Maximum: 65 K.
Core	Mn-Zn Ferrite

### Specifications

Voltage AC	250 VAC
Inductance	5.5 mH (1 kHz)
Current	10 A
Temperature Range	-25/+105°C
DC Resistance	30 mOhms