

HANDLE SHANKS

Anodised aluminium in natural colour, matte finish, supplied assembled.
Threaded blind holes for M5 screws.

BAR

ALUProf® (registered trademark by ALUProf) aluminium.
Oval cross section, ground surface.
Anodised in natural colour, matte finish.

END CAPS

Polyamide based (PA) technopolymer, black colour, matte finish.

STANDARD EXECUTIONS

- RHA1-A: inclined handle shanks.
- RHA1-G: straight handle shanks.

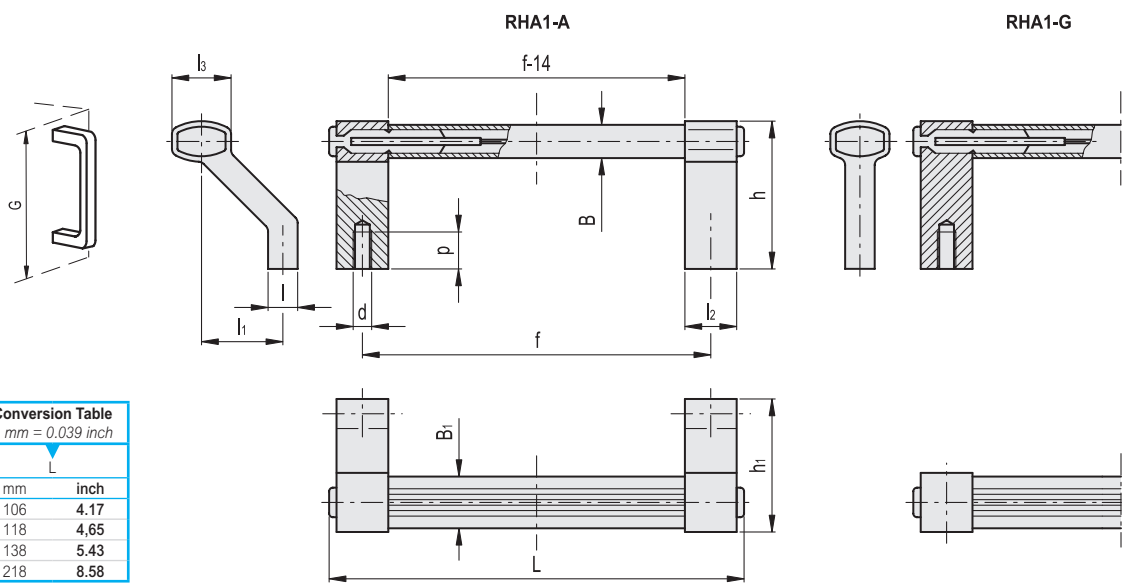
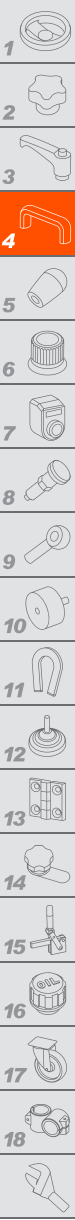
FEATURES AND APPLICATIONS

RH-A1 series handles can adapt well to be used on a 19" rack and instruments in general.

HE = height unit of the front panel: 1 HE = 44.45 mm = 1 6/8".

SPECIAL EXECUTIONS ON REQUEST

- Black bar with different lengths.
- Black handle shanks.



Conversion Table	
1 mm = 0.039 inch	
L	
mm	inch
106	4.17
118	4.65
138	5.43
218	8.58

RHA1-A **METRIC**

Code	f	L	d	p	B	B1	h	h1	l	l1	l2	l3	G	HE*	⚖
RHA1-14.A088.N01	88	106	M5	10	9	14	40	34	8	22	14	16	132.5	3	42
RHA1-14.A100.N01	100	118	M5	10	9	14	40	34	8	22	14	16	132.5	3	48
RHA1-14.A120.N01	120	138	M5	10	9	14	40	34	8	22	14	16	177	4	51
RHA1-14.A200.N01	200	218	M5	10	9	14	40	34	8	22	14	16	221.5	5	65

RHA1-G

Code	f	L	d	p	B	B1	h	l	l2	l3	G	HE*	⚖
RHA1-14.G088.N01	88	106	M5	10	9	14	40	8	14	16	132.5	3	44
RHA1-14.G100.N01	100	118	M5	10	9	14	40	8	14	16	132.5	3	45
RHA1-14.G120.N01	120	138	M5	10	9	14	40	8	14	16	177	4	48
RHA1-14.G200.N01	200	218	M5	10	9	14	40	8	14	16	221.5	5	63

HE* = height unit of the front panel: 1 HE = 44.45 mm = 1 6/8".