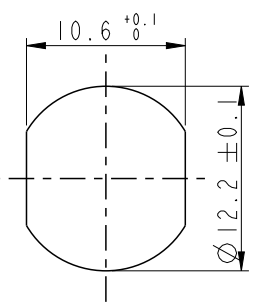
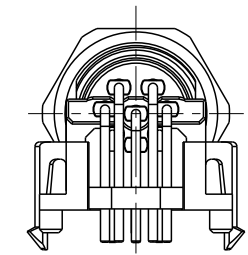
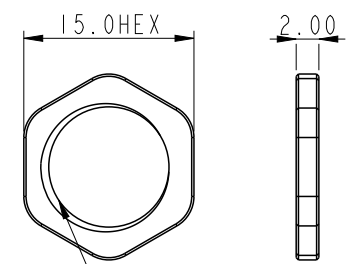
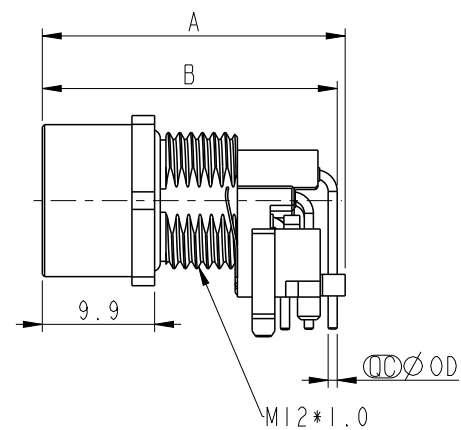
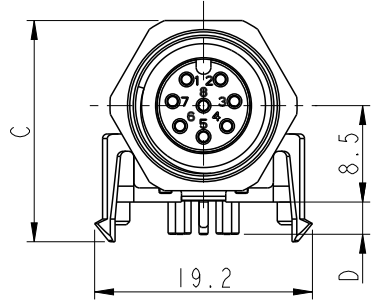
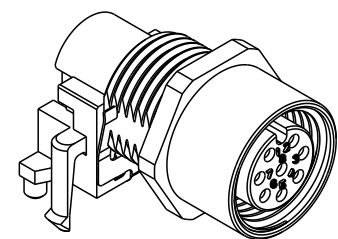
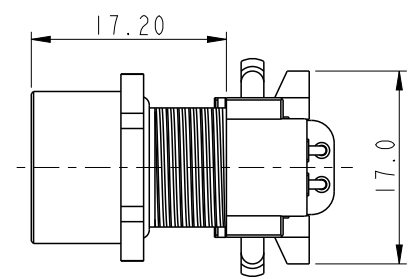


THIS DOCUMENT IS SUBJECT TO CHANGE WITHOUT NOTICE. IT IS CONFIDENTIAL AND A PROPERTY OF Amphenol LTW. DISCLOSURE TO THIRD PARTY HAS TO BE AUTHORIZED BY Amphenol LTW.

REV.	ECN NO.	DATE	SIGN	DESCRIPTION
A		2022/03/07	Leon	New Initial



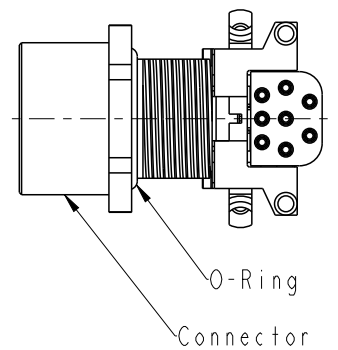
Recommended Panel Cut-Out



MSAS-XXPFFR-SH7003

XX: No. Of Pin

MSAS-03PFFR-SH7003	26.9	25.8	19.2	2.52	1.0
MSAS-04PFFR-SH7003	26.9	25.8	19.2	2.52	1.0
MSAS-05PFFR-SH7003	26.9	25.8	19.2	2.52	1.0
MSAS-08PFFR-SH7003	26.7	26.0	19.5	2.87	0.8
Item No.	A	B	C	D	OD



Note:

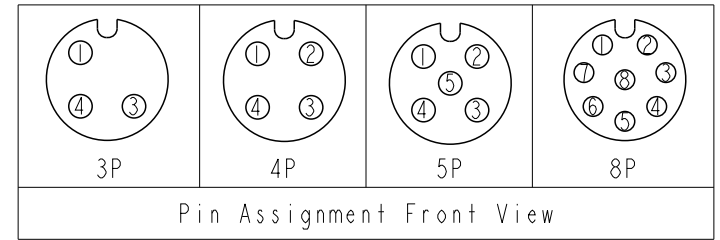
- \* RoHS Compliant
- \*  $\varnothing$  Important dimension
- \* Waterproof rate: IPX7, mated
- \* Connector
  - Housing: Thermoplastic, Black
  - Pin: Copper alloy, Gold plated
  - Gasket: Rubber, Black
  - Shield: Metal
  - Nut: Metal
  - O-Ring: Rubber, Gray
- \* For panel thickness max: 3.0mm
- \* For pcb thickness max: 1.6mm
- \* Nut is packed separately in pe bag

UNIT: mm			TITLE N SEN, M12 A, SCREW RECEPTACLE, F, F, PCB R		
TOLERANCE	.X ±0.25	.XX ±0.1	SCALE 3:2	SIZE A4	SHEET 1 OF 2
.XXX ±0.05	ANGLES ±1°		REV. A	WC-REV. A.3	$\varnothing$ : Inspection item

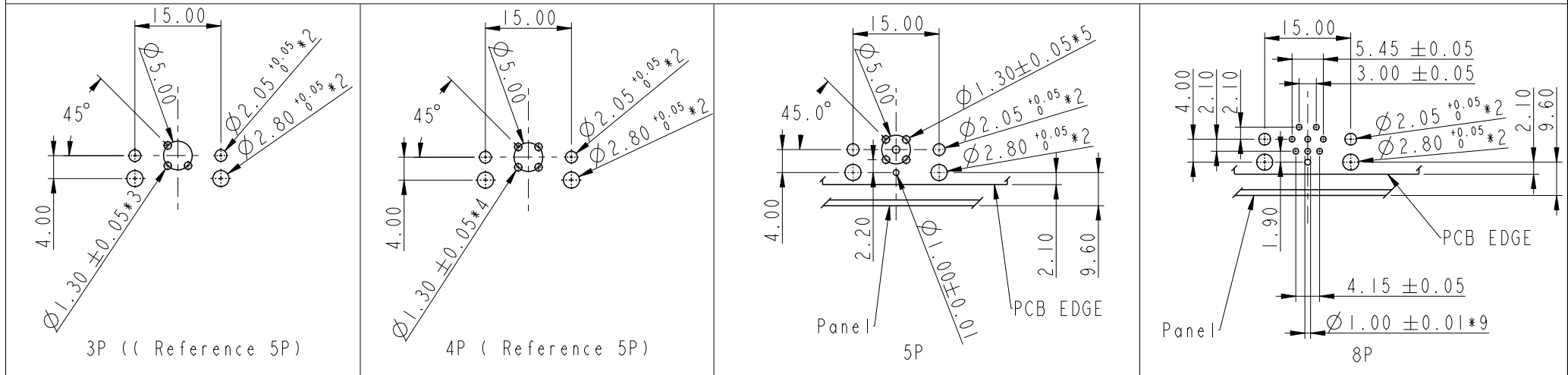
**Amphenol LTW**  
安費諾亮泰企業股份有限公司

ITEM NO.	DRAWN BY	DATE
DWG NO.	CHECKED BY	DATE
CUSTOMER	APPROVED BY	DATE
ALTW	Neo	2022/03/07

THIS DOCUMENT IS SUBJECT TO CHANGE WITHOUT NOTICE. IT IS CONFIDENTIAL AND A PROPERTY OF Amphenol LTW. DISCLOSURE TO THIRD PARTY HAS TO BE AUTHORIZED BY Amphenol LTW.



PCB Layout



UNIT: mm		TITLE		ITEM NO		DRAWN BY		DATE	
		N SEN, M12 A, SCREW RECEPTACLE, F, F, PCB R		MSAS-XXPFFR-SH7003		Leon		2022/03/07	
TOLERANCE .X ±0.25 .XX ±0.1 .XXX ±0.05 ANGLES ±1°		SCALE	SIZE	SHEET	CUSTOMER	CHECKED BY		DATE	
		3:2	A4	2 OF 2	ALTW	Wen		2022/03/07	
		REV.	WC-REV.	QC: Inspection item	APPROVED BY		DATE		
		A	A.3		Neo		2022/03/07		

**Amphenol LTW**  
安費諾亮泰企業股份有限公司