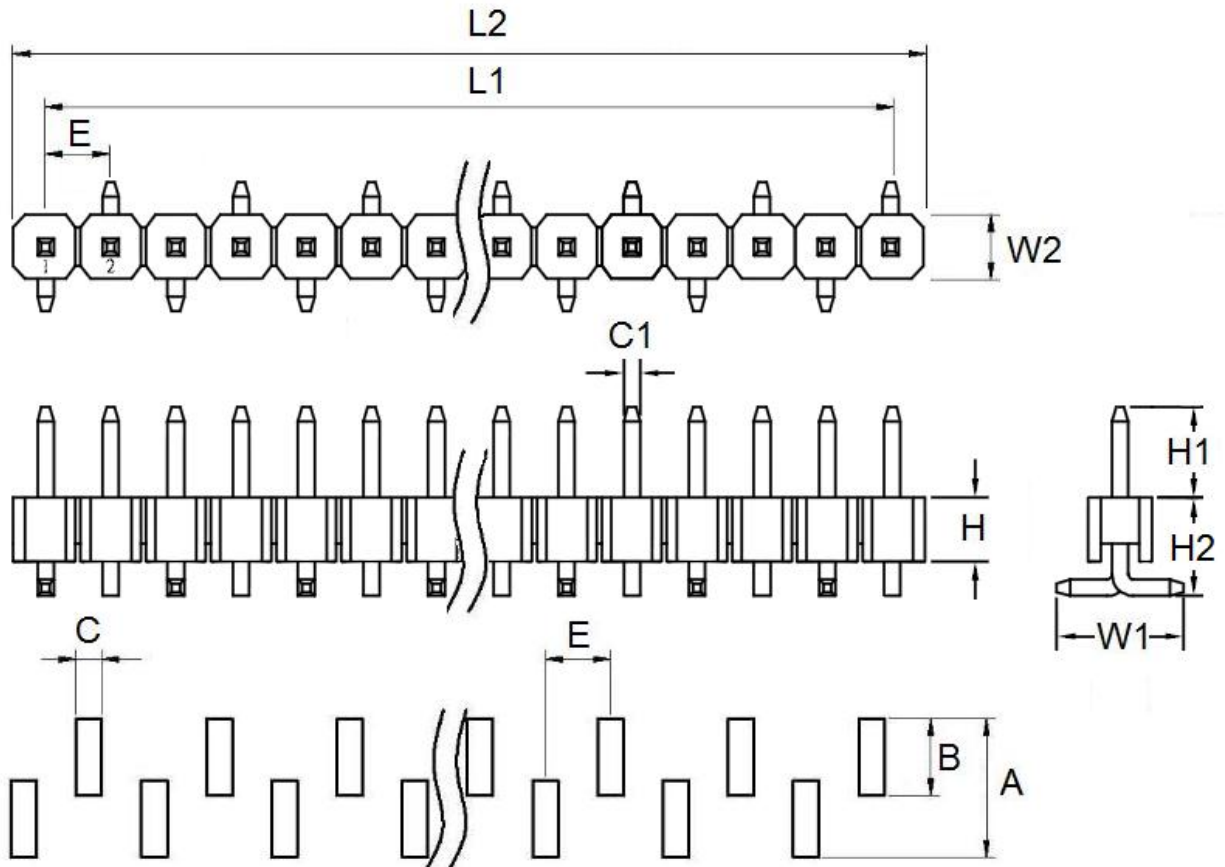


**0.1" 40 pin Vertical Male Header Surface Mount Gold**

REF.	DIMENSIONS					
	mm			inches		
	MIN.	TYP.	MAX.	MIN.	TYP.	MAX.
A		6.20				
B		3.50				
C		1.02				
C1		0.64			0.025	
E		2.54			0.100	
H		2.50				
H1		6.00				
H2		3.50				
L1		99.06			3.900	
L2		101.60			4.000	
W1		5.20				
W2		2.50				



Recommended PCB Layout

## **SPECIFICATIONS**

Plastic body construction: PA6T plastic (320°C melting point)

Pin construction: Gold plated (brass pin, with 1um gold over 50um nickel)

Operating temperature range: -40°C to +130°C

Reflow maximum temperature: +260°C