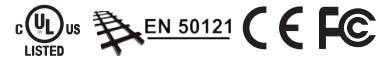


EDS-G205A-4PoE Series

5-port IEEE 802.3af/at PoE+ full Gigabit unmanaged Ethernet switches



- > Full Gigabit Ethernet ports
- > IEEE 802.3af/at, PoE+ standards
- > Up to 30 watts output per PoE port
- > 24/48 VDC flexible redundant power inputs
- > Supports 9.6 KB jumbo frames
- > Intelligent power consumption detection and classification
- > Smart PoE over current and short circuit protection
- > -40 to 75°C operating temperature range (T models)



Introduction

The EDS-G205A-4PoE switches are smart, 5-port, unmanaged full Gigabit Ethernet switches supporting Power-over-Ethernet on ports 2 to 5. The switches are classified as power source equipment (PSE), and when used in this way, the EDS-G205A-4PoE switches enable centralization of the power supply, providing up to 30 watts of power per port and reducing the effort needed for installing power. The

switches can be used to power IEEE 802.3af/at standard devices (PD), eliminating the need for additional wiring, and they support IEEE 802.3/802.3u/802.3x with 10/100/1000M, full/half-duplex, MDI/MDI-X auto-sensing to provide an economical high-bandwidth solution for your industrial Ethernet network.

Specifications

Technology

Standards:

- IEEE 802.3af/at for Power-over-Ethernet
- IEEE 802.3 for 10BaseT
- IEEE 802.3u for 100BaseT(X)
- IEEE 802.3ab for 1000BaseT
- IEEE 802.3z for 1000BaseX
- IEEE 802.3x for Flow Control

Processing Type: Store and Forward

Switch Properties

MAC Table Size: 8 K

Packet Buffer Size: 136 KB

Jumbo Frame Size: 9.6 KB

Interface

Fiber Port: 100/1000BaseSFP slot

RJ45 Ports: 10/100/1000BaseT(X) auto negotiation speed, Full/Half duplex mode, and auto MDI/MDI-X connection

PoE Pinout: V+, V+, V-, V- for Pin 1,2,3,6 (Endspan, MDI Alternative A)

LED Indicators: P1, P2, 10/100/1000M, PoE

Power Requirements

Input Voltage: 24/48 VDC, redundant inputs

Input Current: Max 7.5 A @ 24 VDC (supports up to 4 ports at 30 watts per PoE port)

Overload Current Protection: Present

Connection: 2 removable 2-contact terminal blocks

Reverse Polarity Protection: Present

Physical Characteristics

Housing: Metal, IP30 protection

Dimensions: 29 x 135 x 105 mm (1.14 x 5.31 x 4.13 in)

Weight: 300 g

Installation: DIN-Rail mounting, wall mounting (with optional kit)

Environmental Limits

Operating Temperature:

Standard Models: 0 to 60°C (32 to 140°F)

Wide Temp. Models: -40 to 75°C (-40 to 167°F)

Storage Temperature: -40 to 85°C (-40 to 185°F)

Ambient Relative Humidity: 5 to 95% (non-condensing)

Standards and Certifications

Safety: UL 508

EMI: FCC Part 15 Subpart B Class A, EN 55022 Class A

EMS:

EN 61000-4-2 (ESD) Level 3, EN 61000-4-3 (RS) Level 3,

EN 61000-4-4 (EFT) Level 4, EN 61000-4-5 (Surge) Level 4,

EN 61000-4-6 (CS) Level 3, EN 61000-4-8

Rail Traffic: EN 50121-4

Shock: IEC 60068-2-27

Freefall: IEC 60068-2-32

Vibration: IEC 60068-2-6

Note: Please check Moxa's website for the most up-to-date certification status.

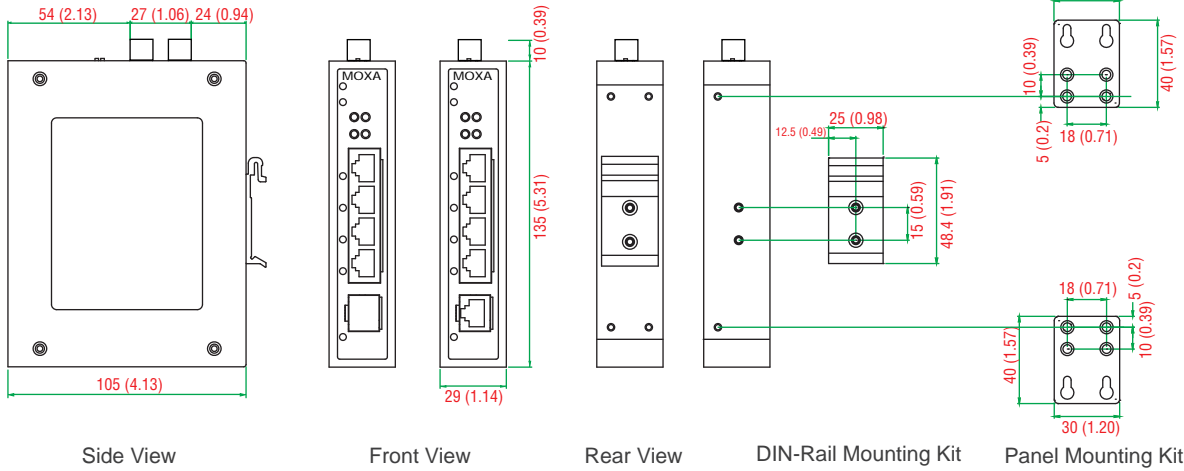
Warranty

Warranty Period: 5 years

Details: See www.moxa.com/warranty

Dimensions

Unit: mm (inch)



Ordering Information

| Available Models | | Port Interface | | |
|-------------------------------------|-----------------------------------|---------------------|------------------|----------------------------------|
| Standard Temperature (0 to 60°C) | Wide Temperature (-40 to 75°C) | 10/100/1000BaseT(X) | 100/1000BaseSFP* | PoE/PoE+, 10/100/1000BaseT(X) |
| EDS-G205A-4PoE | EDS-G205A-4PoE-T | 5 | – | 4 |
| EDS-G205A-4PoE-1GSFP | EDS-G205A-4PoE-1GSFP-T | 4 | 1 | 4 |

* See page 1-82 for product information related to the SFP-1G series SFP modules.

Optional Accessories (can be purchased separately)

- DR-75-24/120-24:** 75/120 W DIN-Rail 24 VDC power supplies
- DR-75-48/120-48:** 75/120 W DIN-Rail 48 VDC power supplies
- DRP-240-48:** 240 W DIN-Rail 48 VDC power supplies
- WK-30:** Wall mounting kit
- RK-4U:** 4U-high 19" rack mounting kit

Package Checklist

- EDS-G205A-4PoE switch
- Hardware installation guide (printed)
- Warranty card