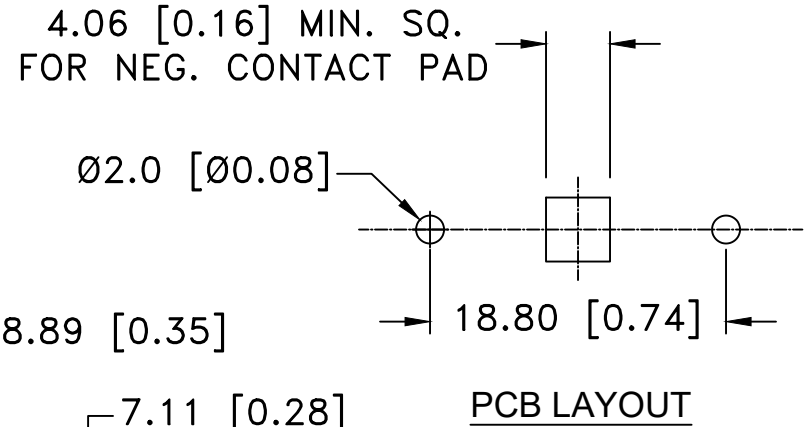
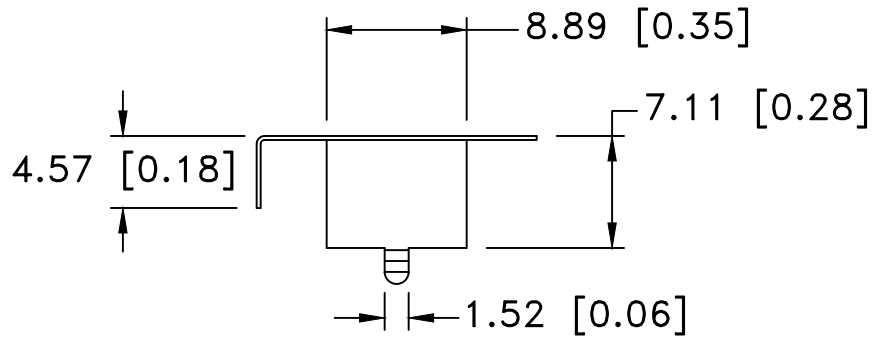
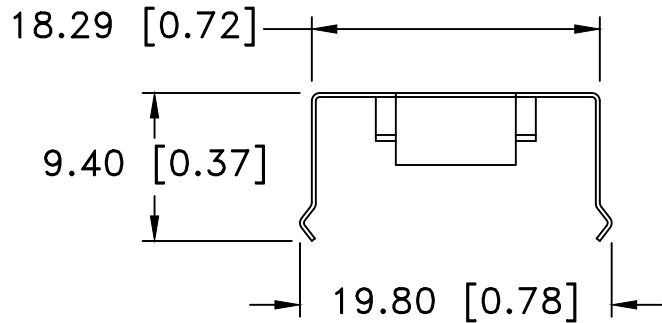
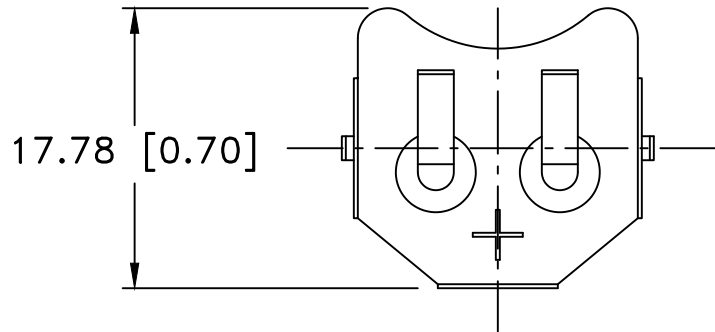



Date	SYM	REVISION RECORD	AUTH	DR.	CK.
12/12/19	D	Added weight of the part	T.B.	B.S.	



PCB LAYOUT

NOTES:

- MATERIAL:
0.25mm (0.010") PHOSPHOR BRONZE, NICKEL PLATED.
Approximate weight: 0.90g
ROHS COMPLIANT

Tolerance (Except as noted)	 Memory Protection Devices, Inc 200 Broad Hollow Road, Farmingdale, New York 11735		
decimal ±.5 (.020)		Scale	Drawn By B.S.
Fractional ± .8 (.030)	Title 1159-16 i-BUTTON THRU HOLE RETAINER		
Angular ± 3°	Date 12/12/19	Drawing Number BK-5010	