

## ALMD-LL36, ALMD-LG36, ALMD-LM36, ALMD-LB36

### High Brightness SMT Oval LED Lamps Amber, Red, Green, and Blue



#### Description

The Broadcom<sup>®</sup> ALMD-Lx36 oval LED series has the same or just slightly less luminous intensity than conventional high brightness, through-hole LEDs.

The oval LED lamps can be assembled using common SMT assembly processes and are compatible with industrial reflow soldering processes.

The LEDs are made with an advanced optical grade epoxy for superior performance in outdoor sign applications. The surface-mount oval LEDs are specifically designed for full color/video signs and indoor or outdoor passenger information sign applications.

For easy pick-and-place assembly, the LEDs are shipped in EIA-compliant tape and reel. Every reel is shipped from a single intensity and color bin—except the red color—for better uniformity.

#### Features

- Well-defined spatial radiation pattern
- High brightness material
- Available in Red, Amber, Green, and Blue colors:
  - Red AlInGaP 626 nm
  - Amber AlInGaP 590 nm
  - Green InGaN 525 nm
  - Blue InGaN 470 nm
- JEDEC MSL 2A
- Compatible with reflow soldering process
- Tinted and diffused lens
- Wide viewing angle: 40° × 100°

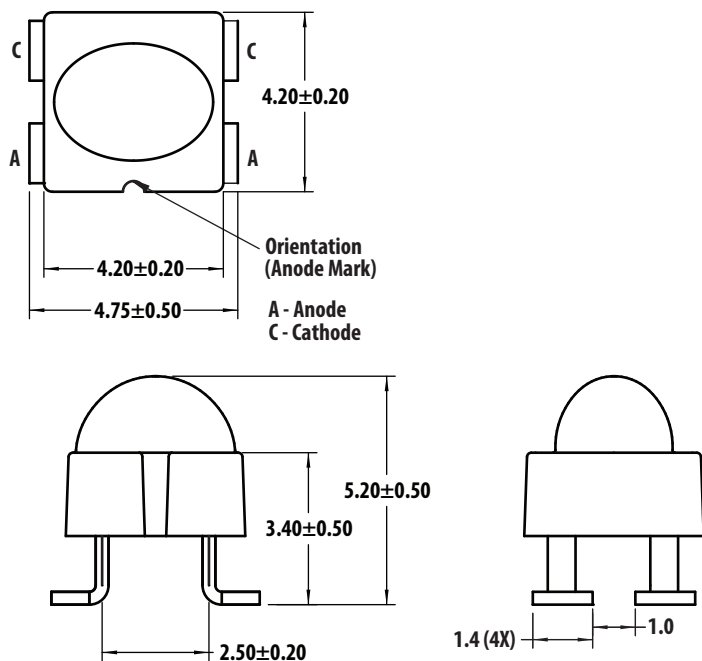
#### Applications

- Full color signs
- Mono color signs

**CAUTION!** InGaN devices are Class 1C HBM ESD sensitive, AlInGaP devices are Class 1B ESD sensitive per JEDEC Standard. Observe appropriate precautions during handling and processing. Refer to Application Note AN-1142 for additional details.

**CAUTION!** Keep LEDs in the moisture barrier bag (MBB) when not in use because prolonged exposure to the environment might cause the silver-plated leads to tarnish, which might cause difficulties in soldering.

Figure 1: Package Dimensions

**NOTE:**

1. All dimensions are in millimeters.
2. Tolerance is  $\pm 0.20$  mm unless other specified.
3. Copper lead frame.

**Device Selection Guide**

| Part Number     | Color and Dominant Wavelength $\lambda_d$ (nm) Typ <sup>a</sup> | Luminous Intensity $I_v$ (mcd) <sup>b, c, d</sup> |      | Viewing Angle Typ. (°) <sup>e</sup> |
|-----------------|---|---|------|-------------------------------------|
|                 |   | Min.  | Max. |                                     |
| ALMD-LG36-WZ002 | Red 626   | 1380  | 2900 | 40° × 100°                          |
| ALMD-LG36-YZ002 | Red 626   | 1990  | 2900 |                                     |
| ALMD-LL36-WZ002 | Amber 590   | 1380  | 2900 |                                     |
| ALMD-LL36-XZ002 | Amber 590   | 1660  | 2900 |                                     |
| ALMD-LM36-14002 | Green 525   | 2900  | 6050 |                                     |
| ALMD-LB36-SV002 | Blue 470  | 660   | 1380 |                                     |

- a. Dominant wavelength,  $\lambda_d$ , is derived from the CIE Chromaticity Diagram and represents the color of the lamp.
- b. The luminous intensity is measured on the mechanical axis of the lamp package and it is tested with pulsing condition.
- c. The optical axis is closely aligned with the package mechanical axis.
- d. Tolerance for each bin limit is  $\pm 15\%$ .
- e.  $\theta_{1/2}$  is the off-axis angle where the luminous intensity is half the on-axis intensity.

## Part Numbering System

A L M D - 

|                |                |                |                |
|----------------|----------------|----------------|----------------|
| x <sub>1</sub> | x <sub>2</sub> | x <sub>3</sub> | x <sub>4</sub> |
|----------------|----------------|----------------|----------------|

 - 

|                |                |                |                |                |
|----------------|----------------|----------------|----------------|----------------|
| x <sub>5</sub> | x <sub>6</sub> | x <sub>7</sub> | x <sub>8</sub> | x <sub>9</sub> |
|----------------|----------------|----------------|----------------|----------------|

| Code                          | Description           | Option                              |                                   |
|-------------------------------|-----------------------|-------------------------------------|-----------------------------------|
| x <sub>1</sub>                | Package type          | L                                   | Oval AlInGaP/InGaN                |
| x <sub>2</sub>                | Color                 | B                                   | Blue                              |
|                               |                       | G                                   | Red                               |
|                               |                       | L                                   | Amber                             |
|                               |                       | M                                   | Green                             |
| x <sub>3</sub> x <sub>4</sub> | Viewing angle         | 36                                  | 40 × 100°                         |
| x <sub>5</sub>                | Minimum intensity bin | Refer to the device selection guide |                                   |
| x <sub>6</sub>                | Maximum intensity bin | Refer to the device selection guide |                                   |
| x <sub>7</sub>                | Color bin selection   | 0                                   | Full distribution                 |
| x <sub>8</sub> x <sub>9</sub> | Packaging option      | 02                                  | Tested 20 mA, 13-in. carrier tape |

### Intensity Bin Limit Table (1.2:1 I<sub>v</sub> Bin Ratio)

| Bin | Intensity (mcd) at 20 mA |      |
|-----|--------------------------|------|
|     | Min.                     | Max. |
| S   | 660                      | 800  |
| T   | 800                      | 960  |
| U   | 960                      | 1150 |
| V   | 1150                     | 1380 |
| W   | 1380                     | 1660 |
| X   | 1660                     | 1990 |
| Y   | 1990                     | 2400 |
| Z   | 2400                     | 2900 |
| 1   | 2900                     | 3500 |
| 2   | 3500                     | 4200 |
| 3   | 4200                     | 5040 |
| 4   | 5040                     | 6050 |

Tolerance for each bin limit is ± 15%.

### V<sub>F</sub> Bin Table (V at 20 mA) for Red and Amber

| Bin ID         | Min. | Max. |
|----------------|------|------|
| V <sub>D</sub> | 1.8  | 2.0  |
| V <sub>A</sub> | 2.0  | 2.2  |
| V <sub>B</sub> | 2.2  | 2.4  |

Tolerance for each bin limit is ± 0.05 V.

## Red Color Range

| Min. Dom. | Max. Dom. | X Min. | Y Min. | X Max. | Y Max. |
|-----------|-----------|--------|--------|--------|--------|
| 618.0     | 630.0     | 0.6872 | 0.3126 | 0.6890 | 0.2943 |
|           |           | 0.6690 | 0.3149 | 0.7080 | 0.2920 |

Tolerance for each bin limit is  $\pm 0.5$  nm.

## Amber Color Range

| Bin | Min. Dom. | Max. Dom. | X Min. | Y Min. | X Max. | Y Max. |
|-----|-----------|-----------|--------|--------|--------|--------|
| 1   | 584.5     | 587.0     | 0.5420 | 0.4580 | 0.5530 | 0.4400 |
|     |           |           | 0.5370 | 0.4550 | 0.5570 | 0.4420 |
| 2   | 587.0     | 589.5     | 0.5570 | 0.4420 | 0.5670 | 0.4250 |
|     |           |           | 0.5530 | 0.4400 | 0.5720 | 0.4270 |
| 4   | 589.5     | 592.0     | 0.5720 | 0.4270 | 0.5820 | 0.4110 |
|     |           |           | 0.5670 | 0.4250 | 0.5870 | 0.4130 |
| 6   | 592.0     | 594.5     | 0.5870 | 0.4130 | 0.5950 | 0.3980 |
|     |           |           | 0.5820 | 0.4110 | 0.6000 | 0.3990 |

Tolerance for each bin limit is  $\pm 0.5$  nm.

## Green Color Range

| Bin | Min. Dom. | Max. Dom. | X Min. | Y Min. | X Max. | Y Max. |
|-----|-----------|-----------|--------|--------|--------|--------|
| 1   | 519.0     | 523.0     | 0.0667 | 0.8323 | 0.1450 | 0.7319 |
|     |           |           | 0.1200 | 0.7375 | 0.0979 | 0.8316 |
| 2   | 523.0     | 527.0     | 0.0979 | 0.8316 | 0.1711 | 0.7218 |
|     |           |           | 0.1450 | 0.7319 | 0.1305 | 0.8189 |
| 3   | 527.0     | 531.0     | 0.1305 | 0.8189 | 0.1967 | 0.7077 |
|     |           |           | 0.1711 | 0.7218 | 0.1625 | 0.8012 |
| 4   | 531.0     | 535.0     | 0.1625 | 0.8012 | 0.2210 | 0.6920 |
|     |           |           | 0.1967 | 0.7077 | 0.1929 | 0.7816 |
| 5   | 535.0     | 539.0     | 0.1929 | 0.7816 | 0.2445 | 0.6747 |
|     |           |           | 0.2210 | 0.6920 | 0.2233 | 0.7600 |

Tolerance for each bin limit is  $\pm 0.5$  nm.

## Blue Color Range

| Bin | Min. Dom. | Max. Dom. | X Min. | Y Min. | X Max. | Y Max. |
|-----|-----------|-----------|--------|--------|--------|--------|
| 1   | 460.0     | 464.0     | 0.1440 | 0.0297 | 0.1766 | 0.0966 |
|     |           |           | 0.1818 | 0.0904 | 0.1374 | 0.0374 |
| 2   | 464.0     | 468.0     | 0.1374 | 0.0374 | 0.1699 | 0.1062 |
|     |           |           | 0.1766 | 0.0966 | 0.1291 | 0.0495 |
| 3   | 468.0     | 472.0     | 0.1291 | 0.0495 | 0.1616 | 0.1209 |
|     |           |           | 0.1699 | 0.1062 | 0.1187 | 0.0671 |
| 4   | 472.0     | 476.0     | 0.1187 | 0.0671 | 0.1517 | 0.1423 |
|     |           |           | 0.1616 | 0.1209 | 0.1063 | 0.0945 |
| 5   | 476.0     | 480.0     | 0.1063 | 0.0945 | 0.1397 | 0.1728 |
|     |           |           | 0.1517 | 0.1423 | 0.0913 | 0.1327 |

Tolerance for each bin limit is  $\pm 0.5$  nm.

## Absolute Maximum Rating, $T_J = 25^\circ\text{C}$

| Parameter                       | Red and Amber                              | Blue and Green                            | Unit             |
|---------------------------------|--|---|------------------|
| DC Forward Current <sup>a</sup> | 50   | 30  | mA               |
| Peak Forward Current            | 100 <sup>b</sup>                           | 100 <sup>c</sup>                          | mA               |
| Power Dissipation               | 120  | 114                                       | mW               |
| Reverse Voltage                 | 5 ( $I_R = 100 \mu\text{A}$ ) <sup>d</sup> | 5 ( $I_R = 10 \mu\text{A}$ ) <sup>d</sup> | V                |
| LED Junction Temperature        | 110  |   | $^\circ\text{C}$ |
| Operating Temperature Range     | -40 to +85                                 |   | $^\circ\text{C}$ |
| Storage Temperature Range       | -40 to +100                                |   | $^\circ\text{C}$ |

- Derate linearly as shown in [Figure 5](#) and [Figure 10](#).
- Duty factor 30%, frequency 1 kHz.
- Duty factor 10%, frequency 1 kHz.
- Indicates product final testing; long-term reverse bias is not recommended.

**Electrical/Optical Characteristics,  $T_J = 25^\circ\text{C}$** 

| Parameter   | Symbol                   | Min.                             | Typ.                             | Max.                             | Unit                 | Test Conditions  |
|---|--------------------------|----------------------------------|----------------------------------|----------------------------------|----------------------|--|
| Forward Voltage<br>Red<br>Amber<br>Green<br>Blue                    | $V_F$                    | 1.8<br>1.8<br>2.8<br>2.8         | 2.1<br>2.1<br>3.2<br>3.2         | 2.4<br>2.4<br>3.8<br>3.8         | V                    | $I_F = 20\text{ mA}$   |
| Reverse Voltage<br>Red and Amber<br>Green and Blue                  | $V_R$                    | 5<br>5                           |                                  |                                  | V                    | $I_R = 100\ \mu\text{A}$<br>$I_R = 10\ \mu\text{A}$                          |
| Dominant Wavelength <sup>a</sup><br>Red<br>Amber<br>Green<br>Blue   | $\lambda_d$              | 618.0<br>584.5<br>519.0<br>460.0 | 626.0<br>590.0<br>525.0<br>470.0 | 630.0<br>594.5<br>539.0<br>480.0 | nm                   | $I_F = 20\text{ mA}$   |
| Peak Wavelength<br>Red<br>Amber<br>Green<br>Blue                    | $\lambda_{\text{PEAK}}$  |                                  | 634<br>594<br>516<br>464         |                                  | nm                   | Peak of wavelength of spectral distribution at<br>$I_F = 20\text{ mA}$       |
| Thermal Resistance  | $R\theta_{\text{J-PIN}}$ |                                  | 130                              |                                  | $^\circ\text{C/W}$   | LED junction-to-pin  |
| Luminous Efficacy <sup>b</sup><br>Red<br>Amber<br>Green<br>Blue     | $\eta_V$                 |                                  | 200<br>520<br>530<br>65          |                                  | lm/W                 | Emitted luminous power/emitted radiant power                                 |
| Thermal coefficient of $\lambda_d$<br>Red<br>Amber<br>Green<br>Blue |                          |                                  | 0.059<br>0.103<br>0.028<br>0.024 |                                  | nm/ $^\circ\text{C}$ | $I_F = 20\text{ mA}; +25\ ^\circ\text{C} \leq T_J \leq +100\ ^\circ\text{C}$ |

- a. The dominant wavelength is derived from the Chromaticity Diagram and represents the color of the lamp.
- b. The radiant intensity,  $I_e$  in watts per steradian, may be found from the equation  $I_e = I_V/\eta_V$  where  $I_V$  is the luminous intensity in candelas and  $\eta_V$  is the luminous efficacy in lumens/watt.

# AlInGaP

Figure 2: Relative Intensity vs. Wavelength

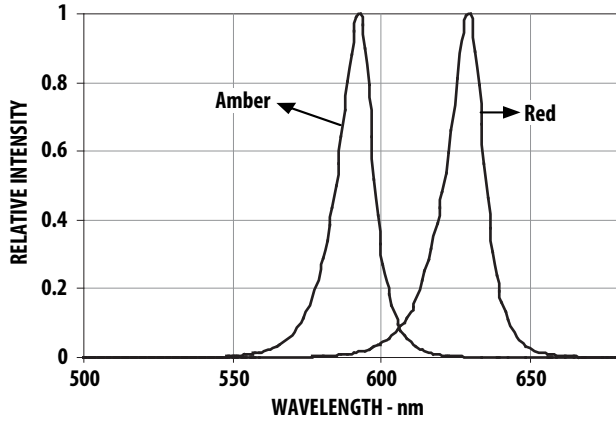


Figure 3: Forward Current vs. Forward Voltage

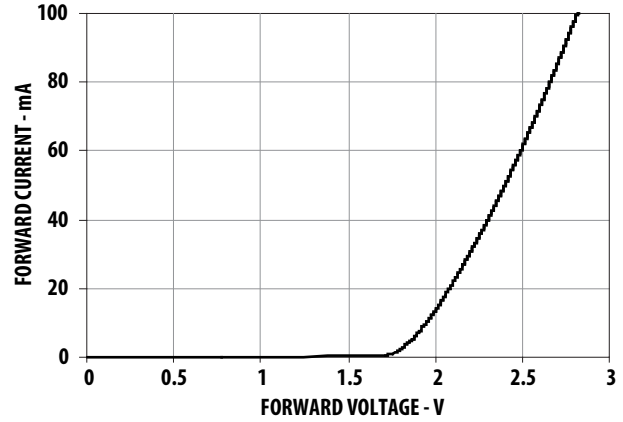


Figure 4: Relative Intensity vs. Forward Current

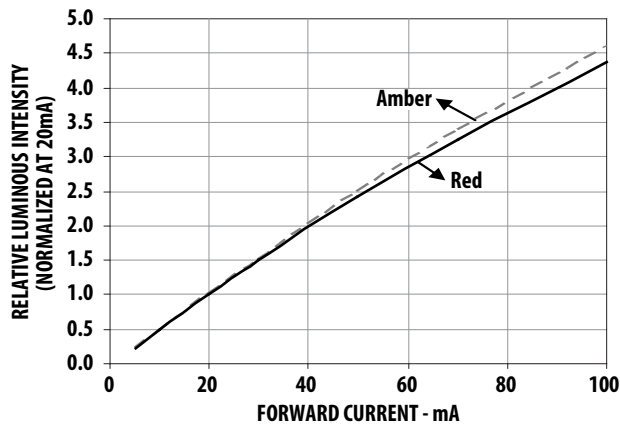
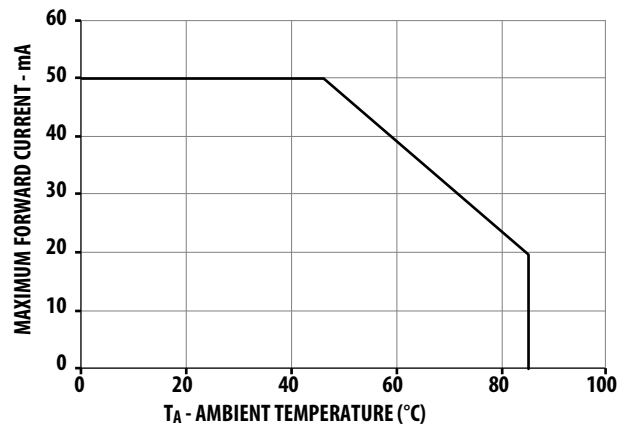
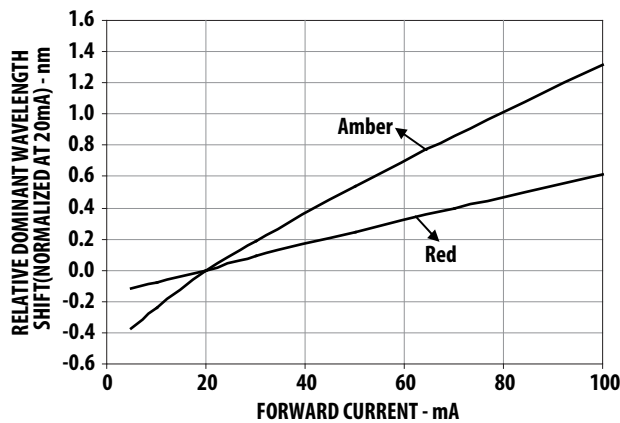


Figure 5: Maximum Forward Current vs. Ambient Temperature



NOTE:  $R_{\theta_{J-A}} = 460 \text{ } ^\circ\text{C/W}$ .

Figure 6: Relative Dominant Wavelength Shift vs. Forward Current



# InGaN

Figure 7: Relative Intensity vs. Wavelength

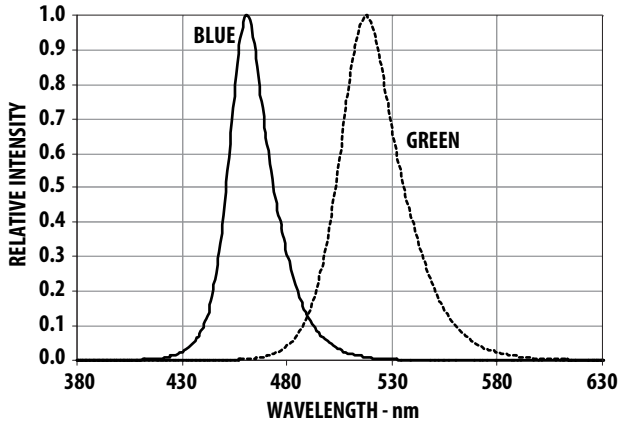


Figure 8: Forward Current vs. Forward Voltage

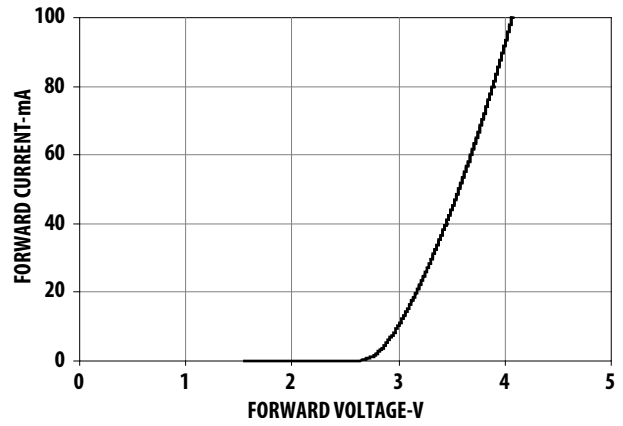


Figure 9: Relative Intensity vs. Forward Current

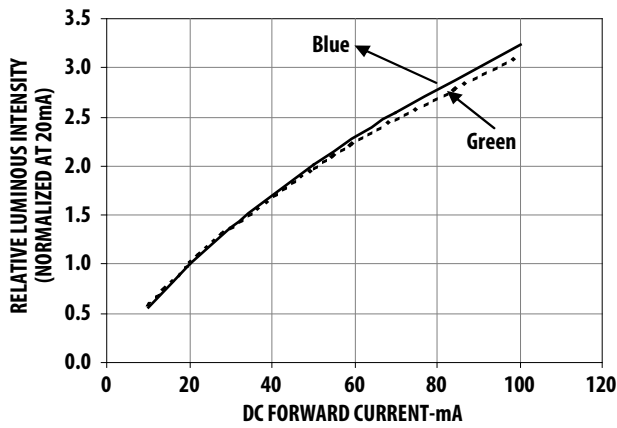


Figure 10: Maximum Forward Current vs. Ambient Temperature

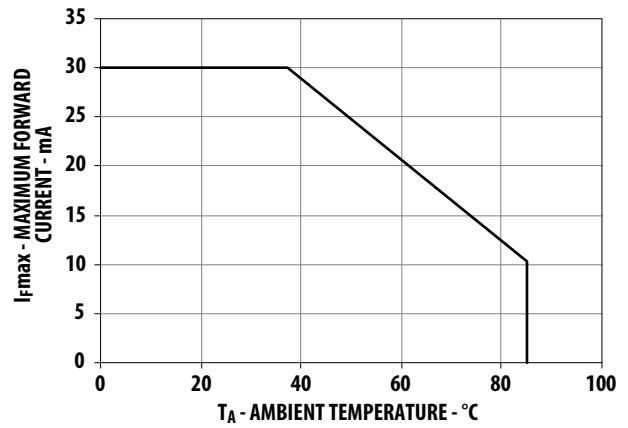


Figure 11: Dominant Wavelength Shift vs. Forward Current

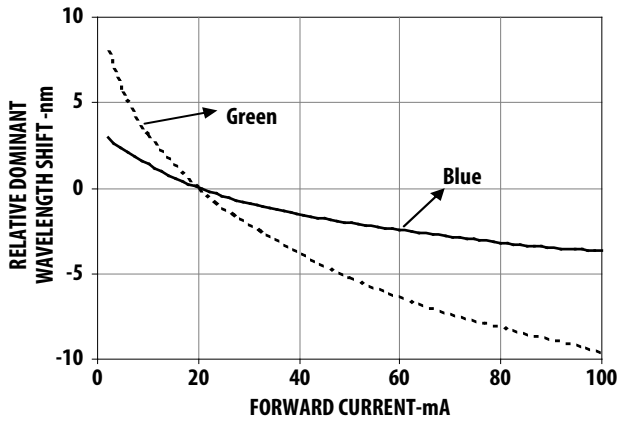




Figure 12: Radiation Pattern for Major Axis

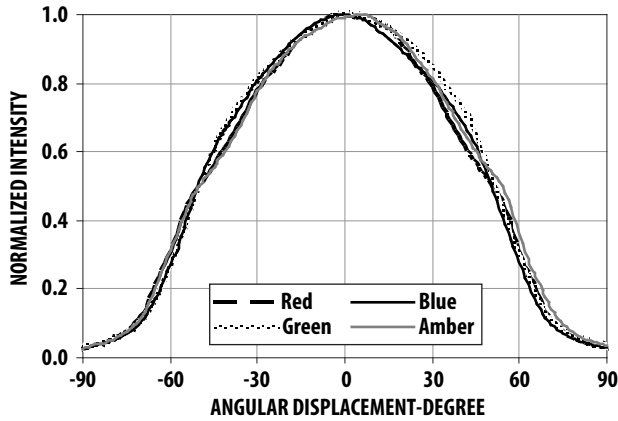


Figure 13: Radiation Pattern for Minor Axis

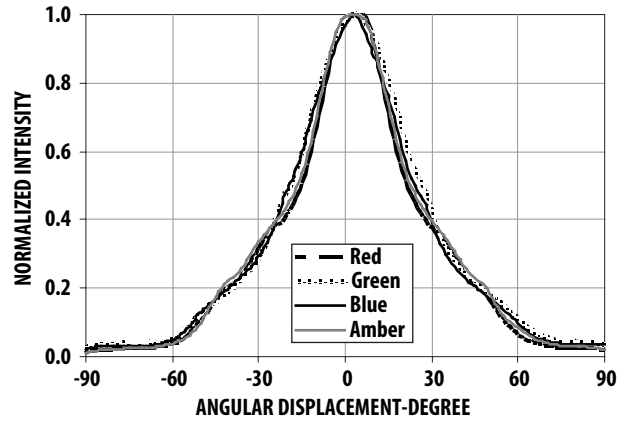


Figure 14: Relative Intensity Shift vs. Junction Temperature

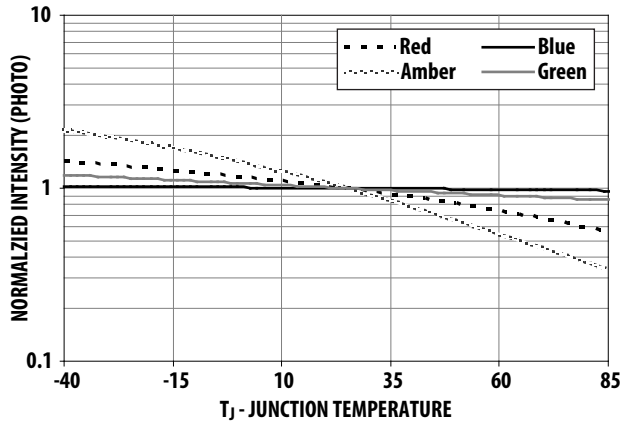


Figure 15: Forward Voltage Shift vs. Junction Temperature

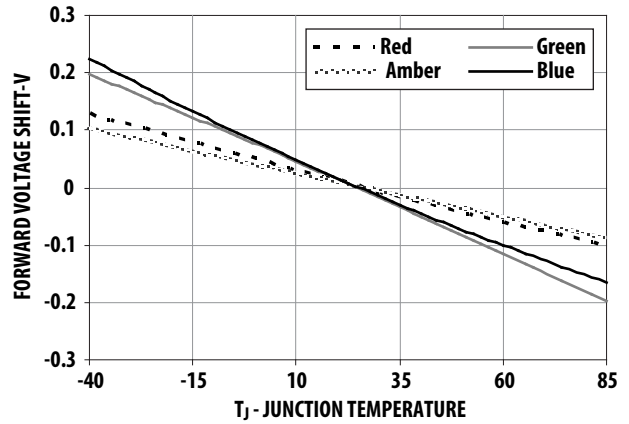
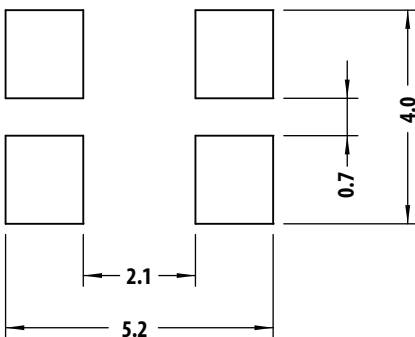
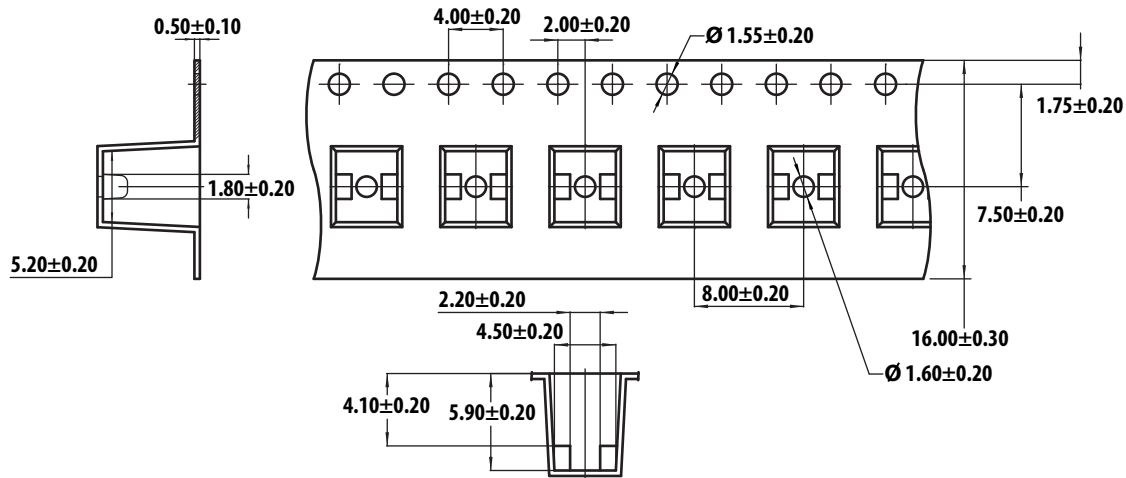


Figure 16: Recommended Soldering Land Pattern



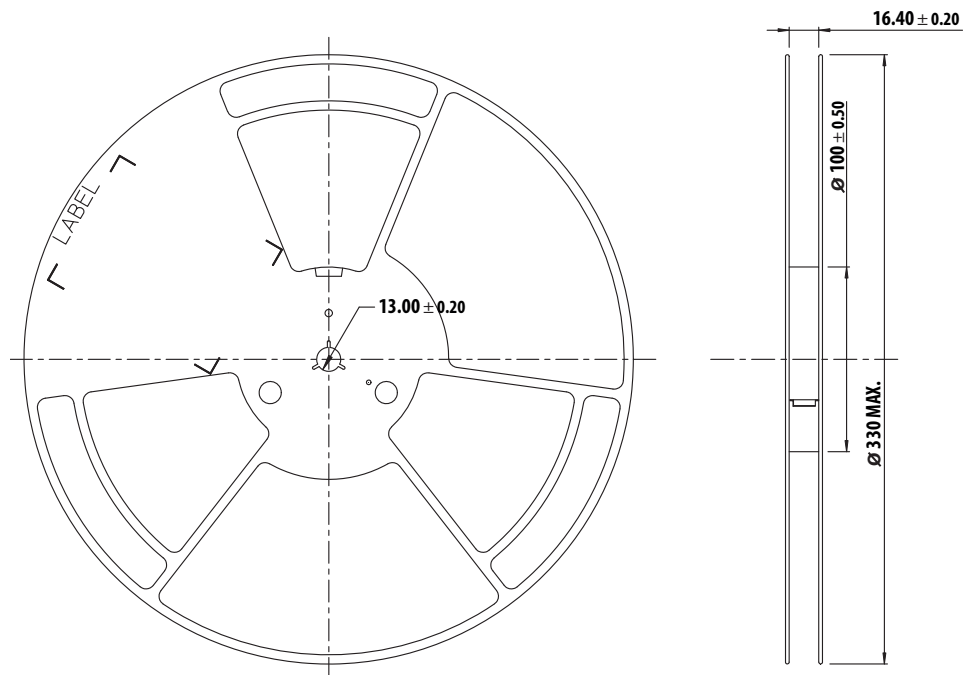
**NOTE:** Recommended stencil thickness is 0.1524 mm (6 mils) minimum and above.

**Figure 17: Carrier Tape Dimensions**



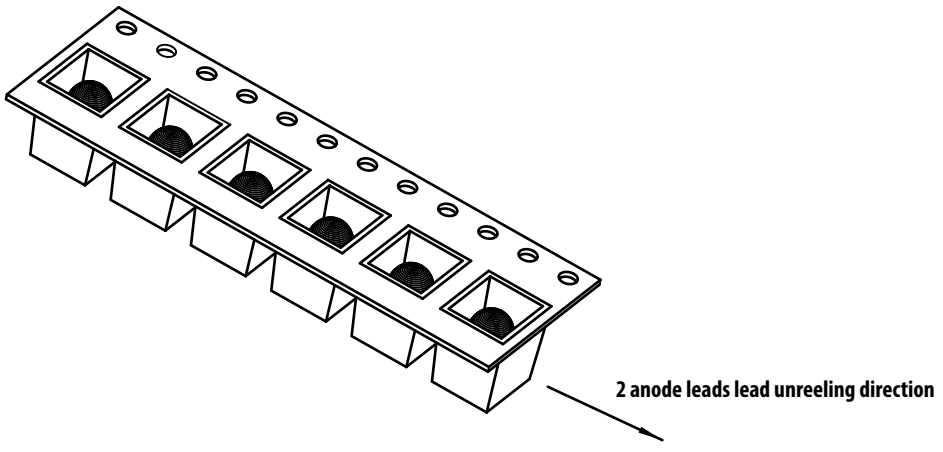
**NOTE:** All dimensions are in mm.

**Figure 18: Reel Dimension**



**NOTE:** All dimensions are in mm.

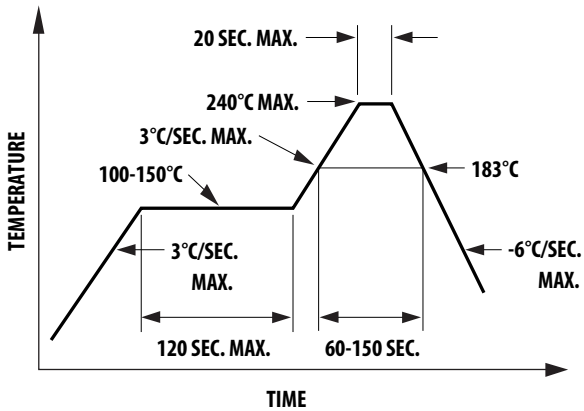
**Figure 19: Unit Orientation from Reel**



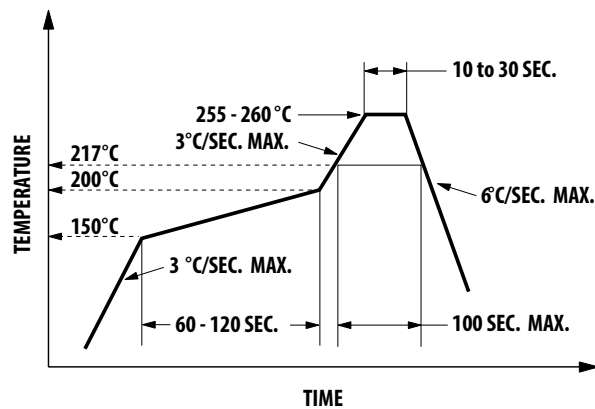
## Soldering

- Recommended reflow soldering condition.

### (i) Leaded reflow soldering

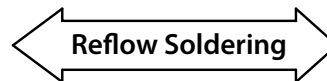
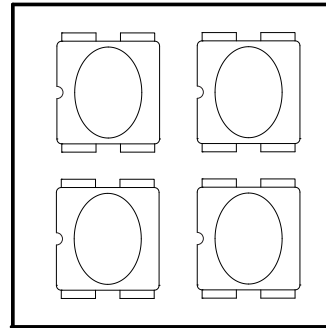


### (ii) Lead-free reflow soldering



- Reflow soldering must not be done more than two times. Make sure you take the necessary precautions for handling a moisture-sensitive device, as stated in the following section.

- Recommended board reflow direction.

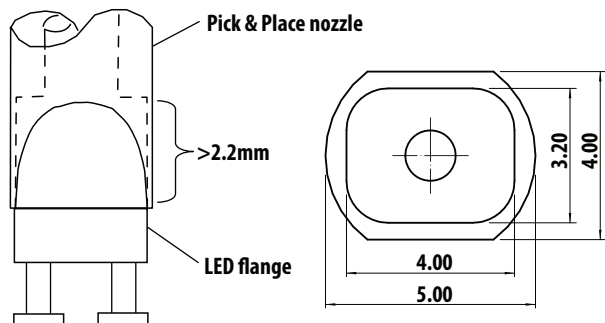


- Do not apply any pressure or force on the LED during reflow and after reflow when the LED is still hot.
- Use reflow soldering to solder the LED. Use hand soldering only for rework if unavoidable, but it must be strictly controlled to the following conditions:
  - Soldering iron tip temperature = 320°C maximum
  - Soldering duration = 3 seconds maximum
  - Number of cycles = 1 only
  - Power of soldering iron = 50W maximum
- Do not touch the LED body with a hot soldering iron except the soldering terminals because this may damage the LED.
- For de-soldering, use a double-flat tip.
- Confirm beforehand whether the functionality and performance of the LED is affected by hand soldering.

## Precautionary Notes

### Handling Precautions

For automated pick-and-place, Broadcom has tested the following nozzle size made with urethane material to work well with this LED. However, due to the possibility of variations in other parameters, such as pick-and-place machine maker/model and other settings of the machine, verify the nozzle selected.



#### NOTE:

1. The nozzle tip should touch the LED flange during pick-and-place.
2. The outer dimensions of the nozzle should be able to fit into the carrier tape pocket.

### Handling of Moisture-Sensitive Devices

This product has a Moisture Sensitive Level 2a rating per JEDEC J-STD-020. Refer to Broadcom Application Note AN5305, *Handling of Moisture Sensitive Surface Mount Devices*, for additional details and a review of proper handling procedures.

#### Before use

- An unopened moisture barrier bag (MBB) can be stored at <math>40^{\circ}\text{C}/90\% \text{RH}</math> for 12 months. If the actual shelf life has exceeded 12 months and the humidity indicator card (HIC) indicates that baking is not required, it is safe to reflow the LEDs per the original MSL rating.
- Do not open the MBB prior to assembly (for example, for IQC).

#### Control after opening the MBB

- Read the HIC read immediately upon opening the MBB.
- Keep the LEDs at <math>30^{\circ}\text{C}/60\% \text{RH}</math> at all times and complete all high-temperature-related processes, including soldering, curing, or rework, within 672 hours.

#### Control for unfinished reel

Store unused LEDs in a sealed MBB with desiccant or desiccator at <math>5\% \text{RH}</math>.

#### Control of assembled boards

If the PCB soldered with the LEDs is to be subjected to other high-temperature processes, store the PCB in a sealed MBB with desiccant or desiccator at <math>5\% \text{RH}</math> to ensure that all LEDs have not exceeded their floor life of 672 hours.

#### Baking is required if the following conditions exist

- The HIC indicator is not BROWN at 10% and is AZURE at 5%.
- The LEDs are exposed to condition of <math>30^{\circ}\text{C}/60\% \text{RH}</math> at any time.
- The LED floor life exceeded 672 hrs.

The recommended baking condition is: <math>60^{\circ}\text{C} \pm 5^{\circ}\text{C}</math> for 20 hours. Baking should only be done once.

#### Storage

The soldering terminals of these Broadcom LEDs are silver plated. If the LEDs are exposed in an ambient environment for too long, the silver plating might be oxidized, thus affecting its solderability performance. As such, keep unused LEDs in a sealed MBB with desiccant or in desiccator at <math>5\% \text{RH}</math>.

## Application Precautions

- Drive current of the LED must not exceed the maximum allowable limit across temperature as stated in the data sheet. Use constant current driving to ensure consistent performance.
- LEDs exhibit slightly different characteristics at different drive currents that might result in larger performance variations (such as intensity, wavelength, and forward voltage). Set the application current as close as possible to the test current to minimize these variations.
- The LED is not intended for reverse bias. Use other appropriate components for such purposes. When driving the LED in matrix form, ensure that the reverse bias voltage does not exceed the allowable limit of the LED.
- Avoid rapid change in ambient temperatures, especially in high-humidity environments, because these will cause condensation on the LED.
- If the LED is intended to be used in an outdoor or a harsh environment, protect the LED leads with suitable potting material against damages caused by rain water, oil, corrosive gases, and so on. Use a louver or shade to reduce direct sunlight on the LEDs.

## Eye Safety Precautions

LEDs may pose optical hazards when in operation. Do not look directly at operating LEDs because it may be harmful to the eyes. For safety reasons, use appropriate shielding or personal protective equipment.

## Disclaimer

Broadcom's products and software are not specifically designed, manufactured, or authorized for sale as parts, components, or assemblies for the planning, construction, maintenance, or direct operation of a nuclear facility or for use in medical devices or applications. The customer is solely responsible, and waives all rights to make claims against Broadcom or its suppliers, for all loss, damage, expense, or liability in connection with such use.

Broadcom, the pulse logo, Connecting everything, Avago Technologies, Avago, and the A logo are among the trademarks of Broadcom and/or its affiliates in the United States, certain other countries, and/or the EU.

Copyright © 2014–2020 Broadcom. All Rights Reserved.

The term "Broadcom" refers to Broadcom Inc. and/or its subsidiaries. For more information, please visit [www.broadcom.com](http://www.broadcom.com).

Broadcom reserves the right to make changes without further notice to any products or data herein to improve reliability, function, or design. Information furnished by Broadcom is believed to be accurate and reliable. However, Broadcom does not assume any liability arising out of the application or use of this information, nor the application or use of any product or circuit described herein, neither does it convey any license under its patent rights nor the rights of others.

