

Male

NOTES:

MATERIAL

1. Insulator Material: Glass-filled thermoplastic PBT, UL94V-0
 2. Contact Material: Copper alloy, Gold flash selective gold
 3. Shell: SPCC
 4. Clinch Nut: Brass, Nickel Plated
 5. Crewlock: Copper Alloy, Nickel Plated
- ELECTRICAL
1. Current Rating : 3AMP
 2. Voltage Rating : 250V AC/rms 60Hz
 3. Contact Resistance: 20mΩ Max at 100 mA DC
 4. Insulation Resistance: 1000MΩ at 500 VDC
 5. Withstand Voltage: 500V AC/rms 60Hz for 1 minute
 - ① 6. Operating Temperature: -55°C+105°C
 - ③ 7. Solder Temperature: 220°C 5s max.

Order Code:

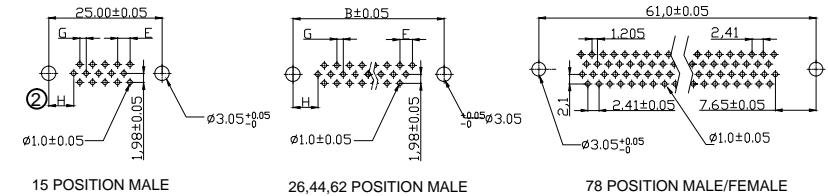
A-HD x xx PP/Z

Contact style: F - Female
S - Male

No. of Contacts: 15 / 26 / 44 / 62

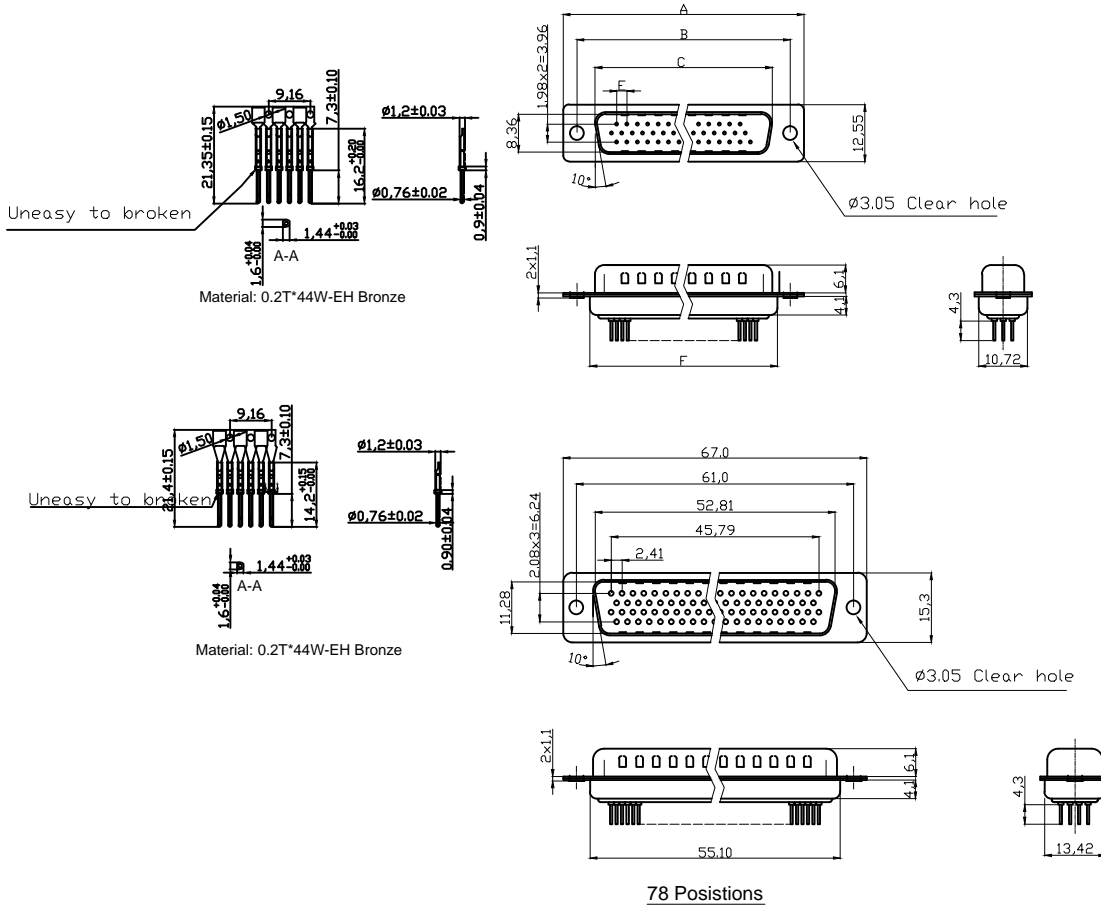
Standard: Quality class III

P.C.B LAYOUT PATTERN



Dimensions

Positions	A	B	C	E	F	G	H
15	30.81	24.99	16.92	2.29	19.20	1.145	7.04
26	39.20	33.30	25.25	2.29	27.70	1.145	6.88
44	53.05	47.04	38.96	2.29	41.10	1.145	6.88
62	69.40	63.50	55.42	2.41	57.30	1.205	7.00



RoHS compliant

Unit: mm



File No.: E198287

Scale	Free					Date	Name	Customer-No.
TOLERANCE						Drawn	15.08.2012	Lucas
X.	±0.38							
X.X	±0.25	③	Add solder temperature	15.04.2019	Xavier	Approved	27.10.2016	Amy
X.XX	±0.13	②	Correct the dimensioning of "H"	27.10.2016	Amy			
DIM	TOL	①	Update the operating temperature	10.10.2014	Winnie			
X.°	±3°							
X.X°	±1.0°	④	Drawn	15.08.2012	Lucas			
Angle	TOL	Id.	Modification	Date	Name			

Customer-No.		
ASSMANN WSW-No.		
A-HD x xx PP/Z		
Drawing-No.		
ASS 4896 CO	rev03	
Replace	Sheet 1/2	



Female

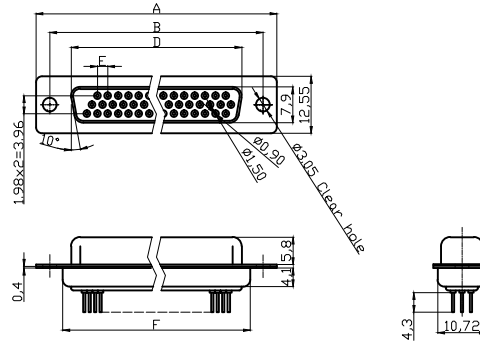
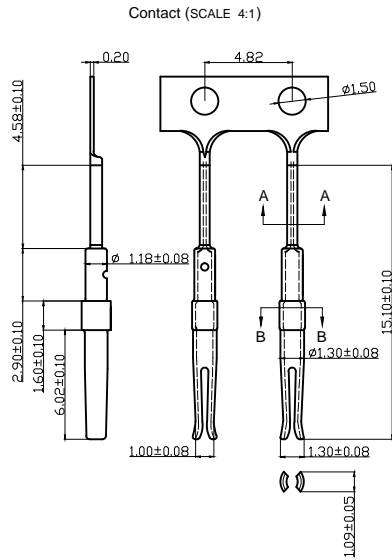
NOTES:

MATERIAL

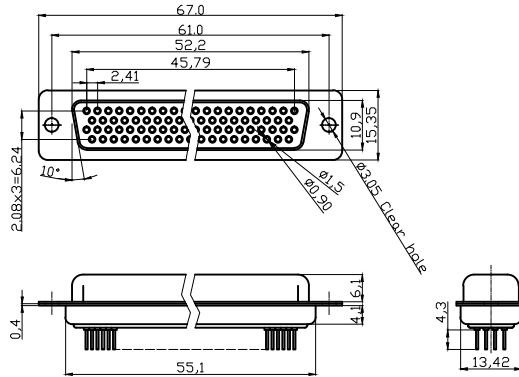
- 1. Insulator Material: Glass-filled thermoplastic PBT, UL94V-0
- 2. Contact Material: Copper alloy
- 3. Shell: Steel, 100u" Tin over 50u" Min Copper

ELECTRICAL

- 1. Current Rating : 3AMP
- 2. Voltage Rating : 250V AC/rms 60Hz
- 3. Contact Resistance: 20mΩ Max at 100 mA DC
- 4. Insulation Resistance: 1000MΩ at 500 VDC
- 5. Withstand Voltage: 500V AC/rms 60Hz for 1 minute
- ① 6. Operating Temperature: -55°C+105°C
- ③ 7. Solder Temperature: 220°C 5s max.

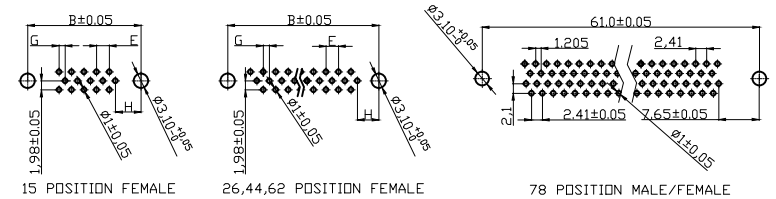


15,26,44,62 Positions



78 Positions

P.C.B LAYOUT PATTERN



Dimensions

Positions	A	B	D	E	F	G
15	30.81	24.99	16.33	2.29	19.20	1.145
26	39.20	33.30	24.70	2.29	27.70	1.145
44	53.05	47.04	38.40	2.29	41.10	1.145
62	69.40	63.50	54.80	2.41	57.30	1.205



When male contact insert, the OD couldn't be over 1.45

RoHS compliant

Unit: mm



File No.: E198287

Scale	Free					Date	Name	Customer-No.
TOLERANCE						Drawn	15.08.2012	Lucas
X.	±0.38					Approved	27.10.2016	Amy
X.X	±0.25	③	Add solder temperature	15.04.2019	Xavier			ASSMANN WSW-No.
X.XX	±0.13	②	Correct the dimensioning of "H"	27.10.2016	Amy			A-HD x xx PP/Z
DIM	TOL	①	Update the operating temperature	10.10.2014	Winnie	ASSMANN WSW components		Drawing-No.
X.°	±3°	①	Drawn	15.08.2012	Lucas			ASS 4896 CO
X.X°	±1.0°	①						Replace
Angle	TOL	Id.	Modification	Date	Name			Sheet 2/2