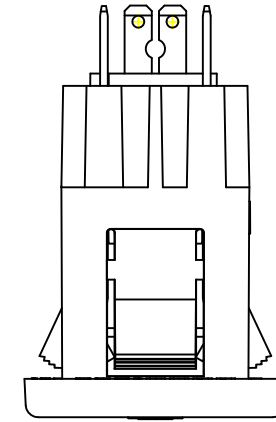
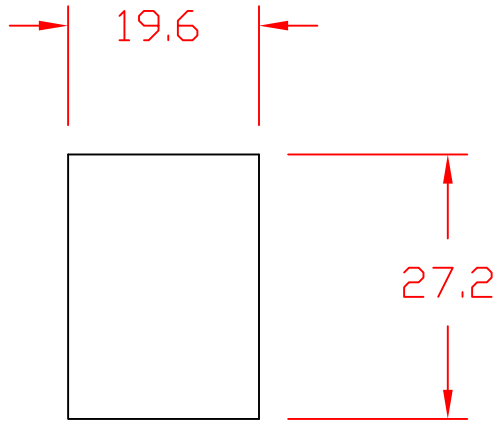
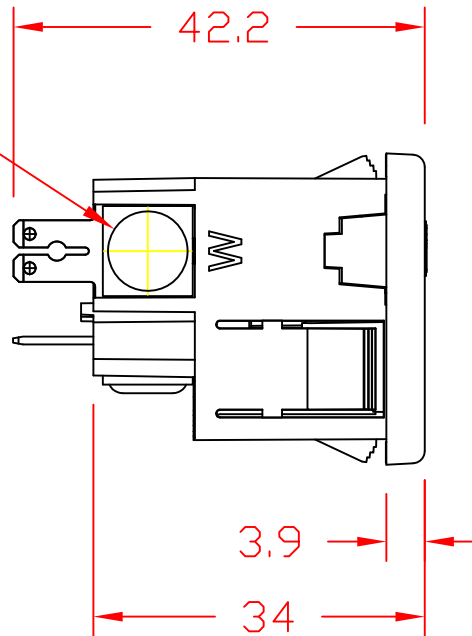


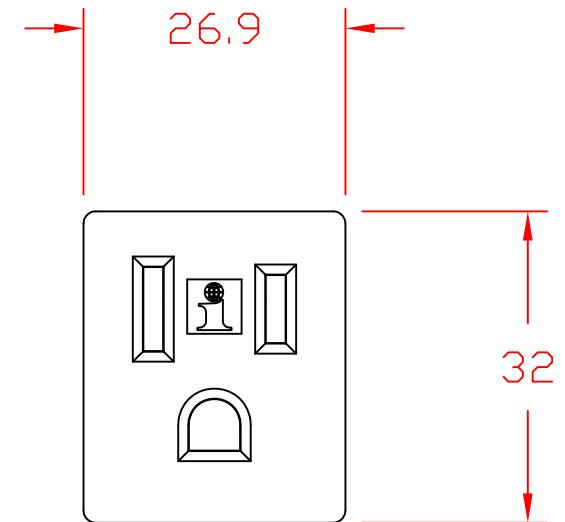
NOTE:  
TOLERANCES +/- .18MM ON ALL DIMENSIONS



3X SCREWS 8-32 WITH  
SQUARE WASHER



MAX. PANEL THICKNESS: .81-2.00mm  
(.032"-.079")



THIS DOCUMENT AND ITS CONTENTS ARE THE PROPRIETARY CONFIDENTIAL  
PROPERTY OF INTERPOWER CORPORATION. NO USE OR COPIES  
MAY BE MADE WITHOUT WRITTEN PERMISSION FROM INTERPOWER CORPORATION.

DIMENSIONS IN MILLIMETERS

TITLE NEMA 5-15 Socket

DRAFT BY: RLB DATE: 9-25-12

PART NUMBER: 88211100

DRAFTING APPROVAL: DATE:

REV	CHANGE DESCRIPTION	DATE	INITIALS
A	Drawing Released	9-25-12	RLB

MATERIAL:

DO NOT SCALE

INTERPOWER CORPORATION

SHEET 1 OF 1