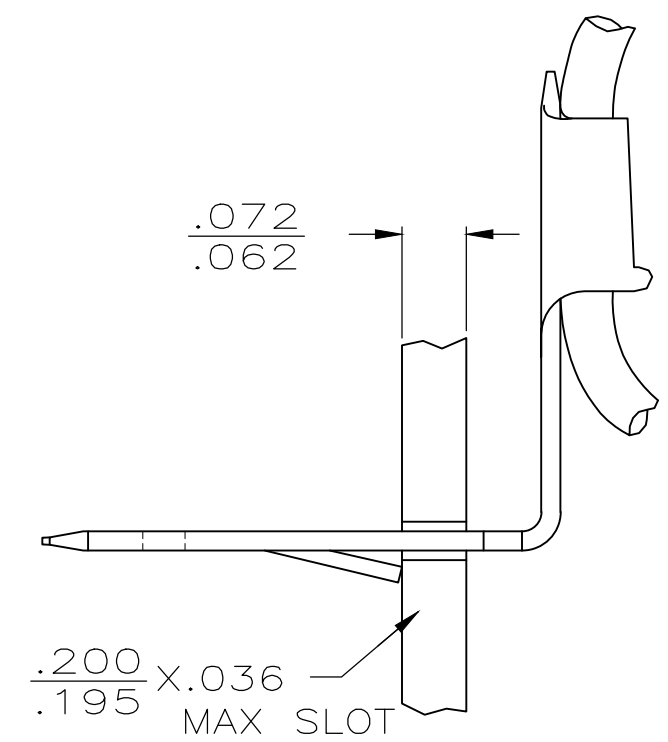
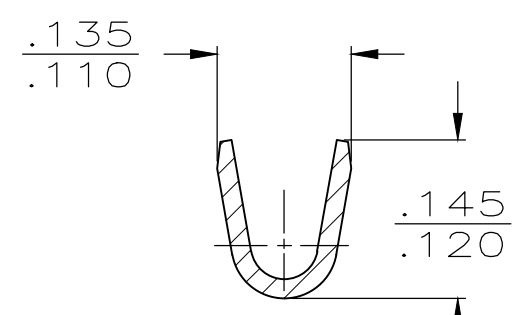
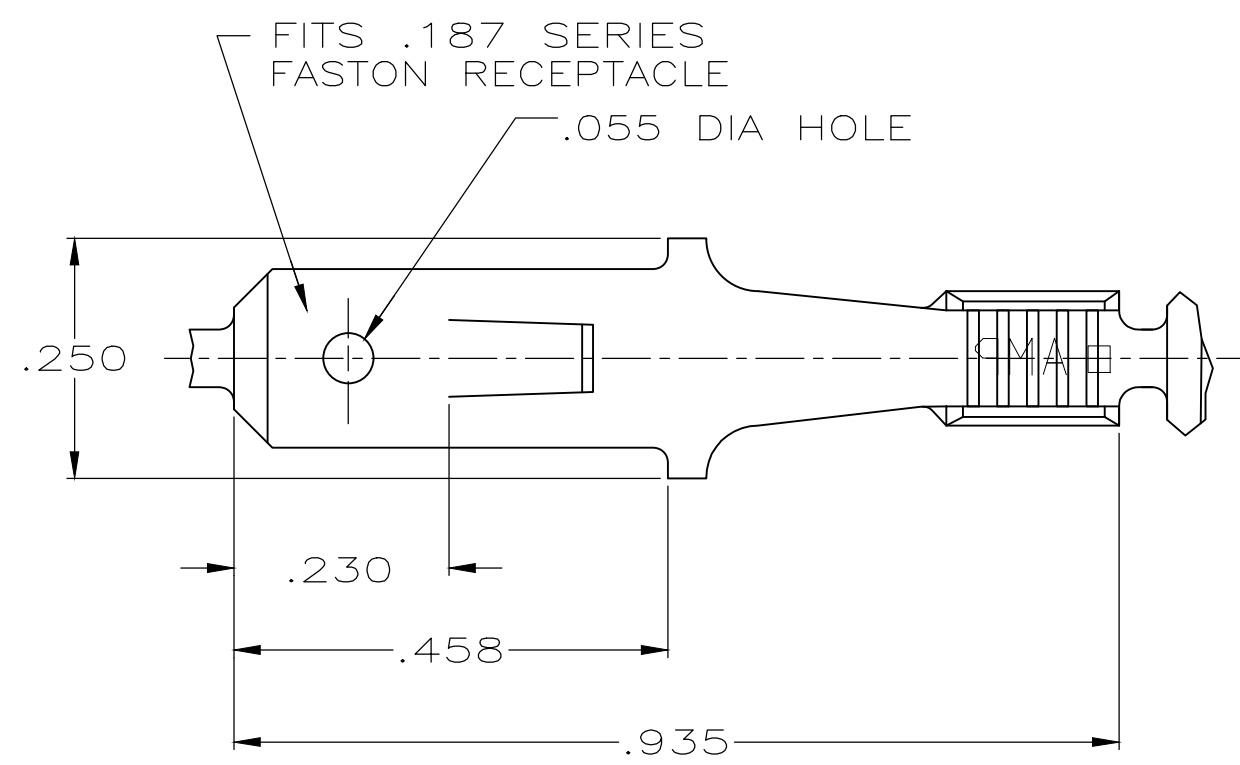


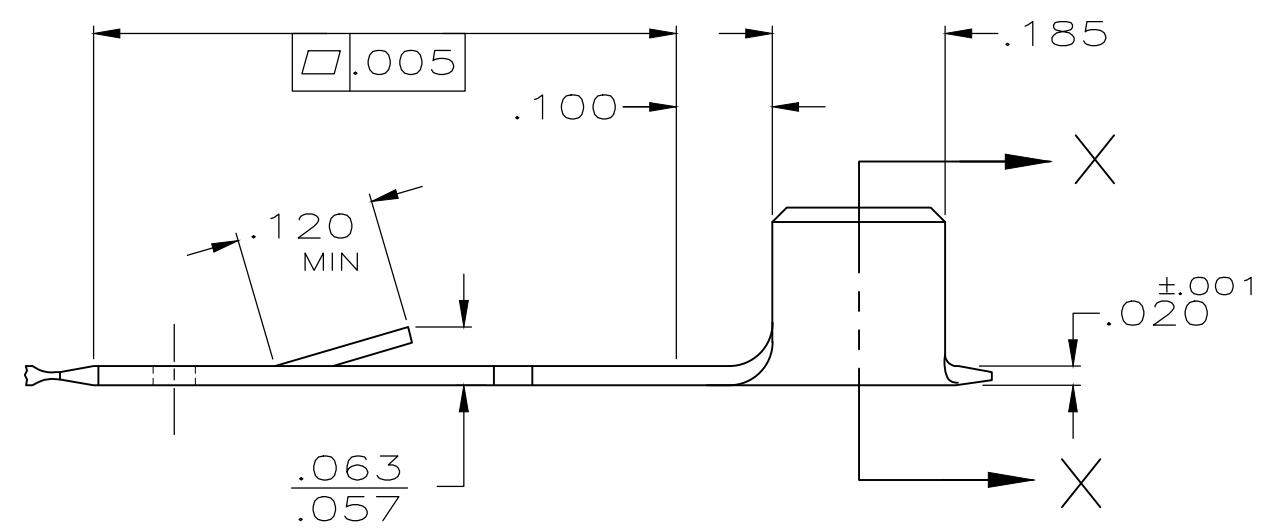
THIS DRAWING IS UNPUBLISHED. RELEASED FOR PUBLICATION
 © COPYRIGHT - By - ALL RIGHTS RESERVED.

LOC	DIST	REVISIONS			
P	LTR	DESCRIPTION	DATE	DWN	APVD
AF	50	T1	REVISED PER ECR-20-005366	21APR2020	SS DL

- 1 CONTINUOUS STRIP ON REEL.
- 2 REVERSE REEL OF 61441-2.
- 3 OBSOLETE PARTS: OBSOLETE CIS STREAMLINING PER D.RENAUD/D.SINISI



—INSTALLED VIEW—
TO BE BENT BY CUSTOMER



3 OBSOLETE OBSOLETE	21-16 AWG	-	2 -61441-4-
		TIN	2 -61441-3-
		TIN	61441-2
		PRE-TIN	61441-1
SUPERSEDED	MAG WIRE SIZE	FINISH	PART NO

THIS DRAWING IS A CONTROLLED DOCUMENT.		DWN JR RUTH 1/25/91	TE Connectivity NAME TAB, FASTON,™AMPLIVAR,™ .187 SERIES				
DIMENSIONS: INCHES		CHK MS FEHER 1/28/91					
TOLERANCES UNLESS OTHERWISE SPECIFIED:		APVD C MEYERS 1/28/91	PRODUCT SPEC	SIZE	CAGE CODE	DRAWING NO	RESTRICTED TO
0 PLC ± - 1 PLC ± - 2 PLC ± - 3 PLC ± .015 4 PLC ± - ANGLES ± -		PRODUCT SPEC	APPLICATION SPEC	—	—	—	—
MATERIAL BRASS		FINISH SEE TABLE	WEIGHT —	A3	00779	C-61441	—
CUSTOMER DRAWING			SCALE 5:1	SHEET 1 OF 1	REV T1		