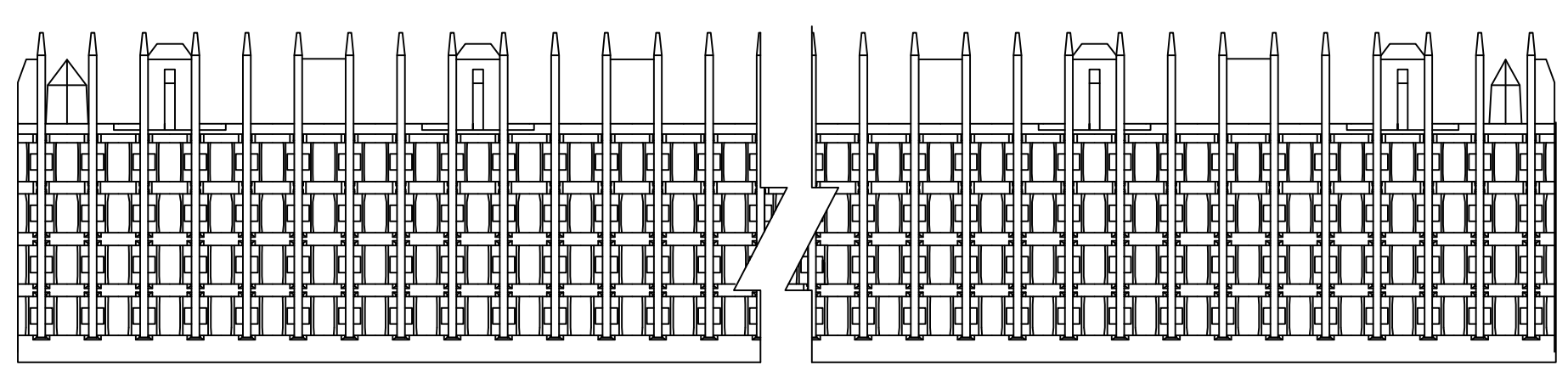
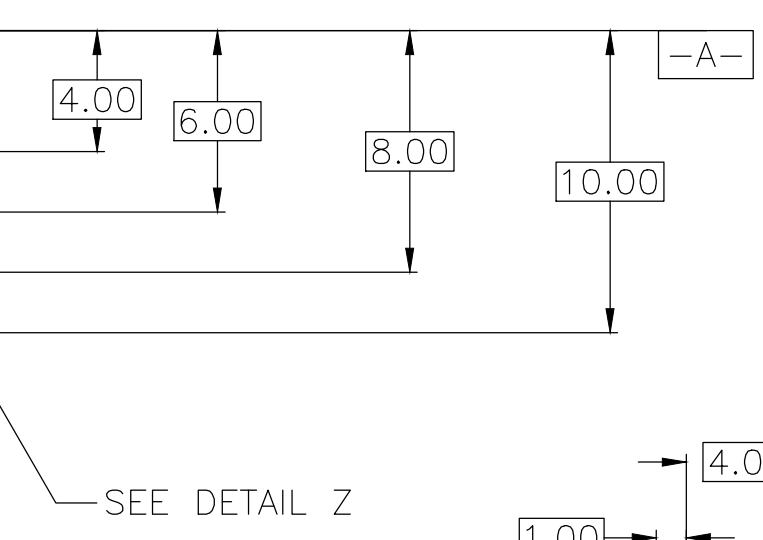
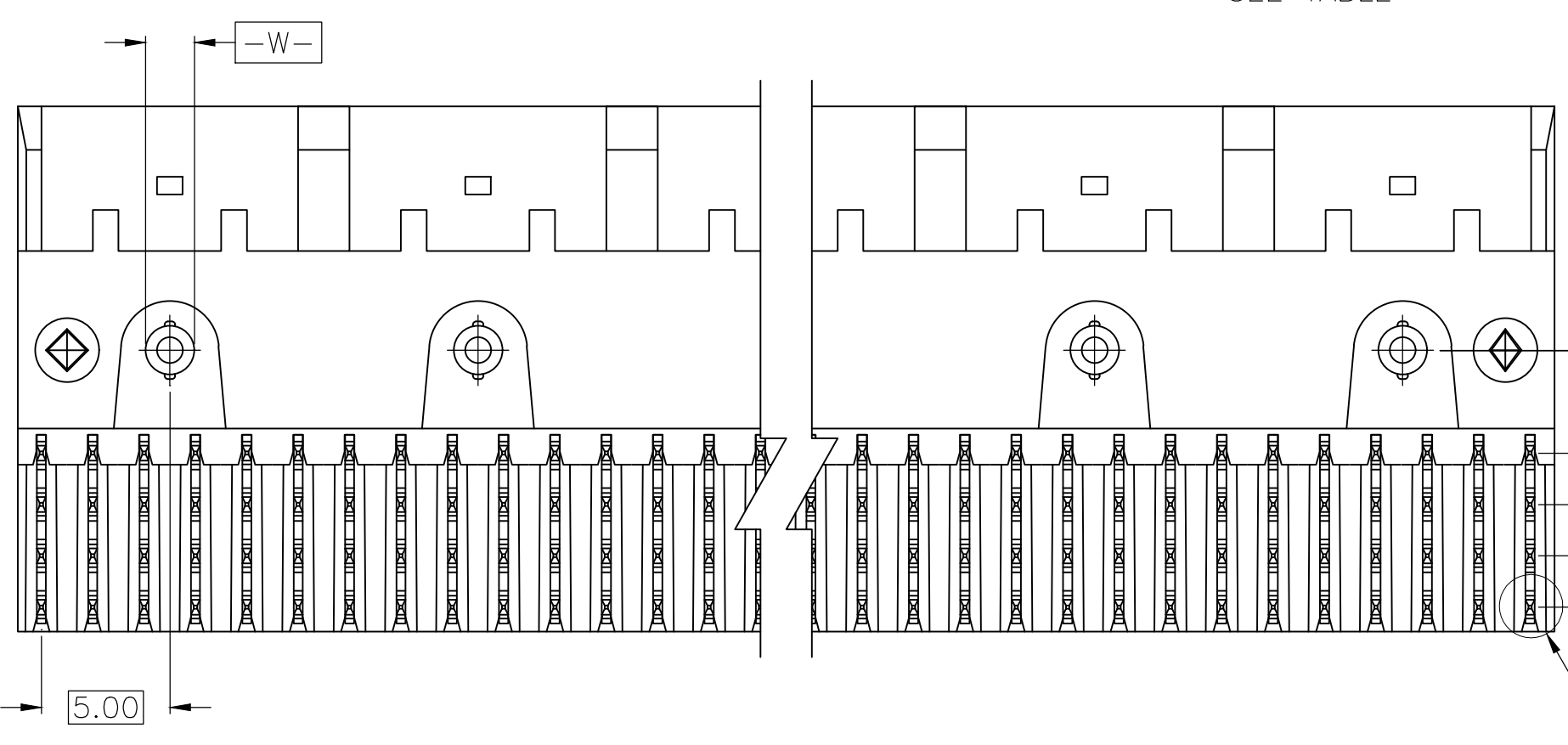
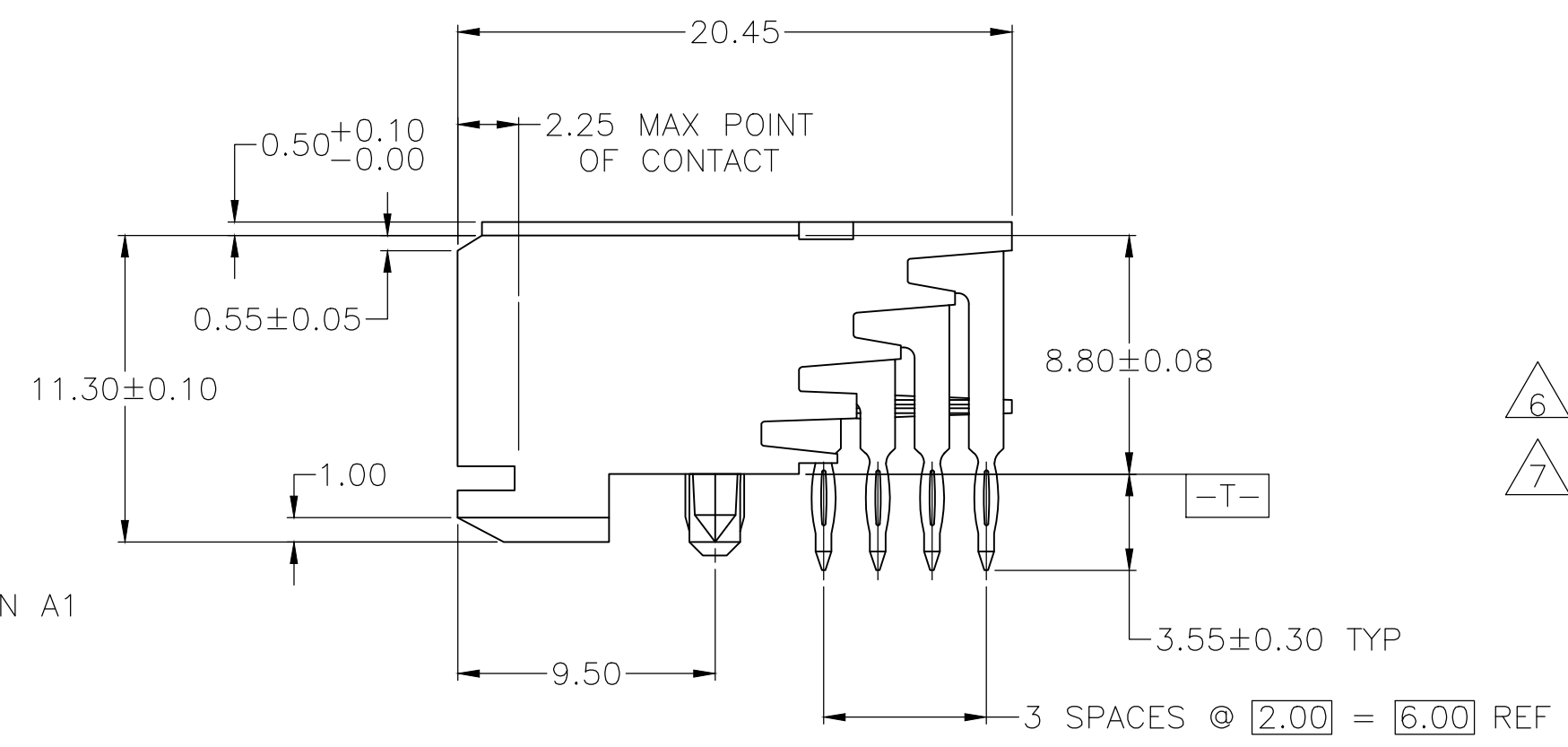
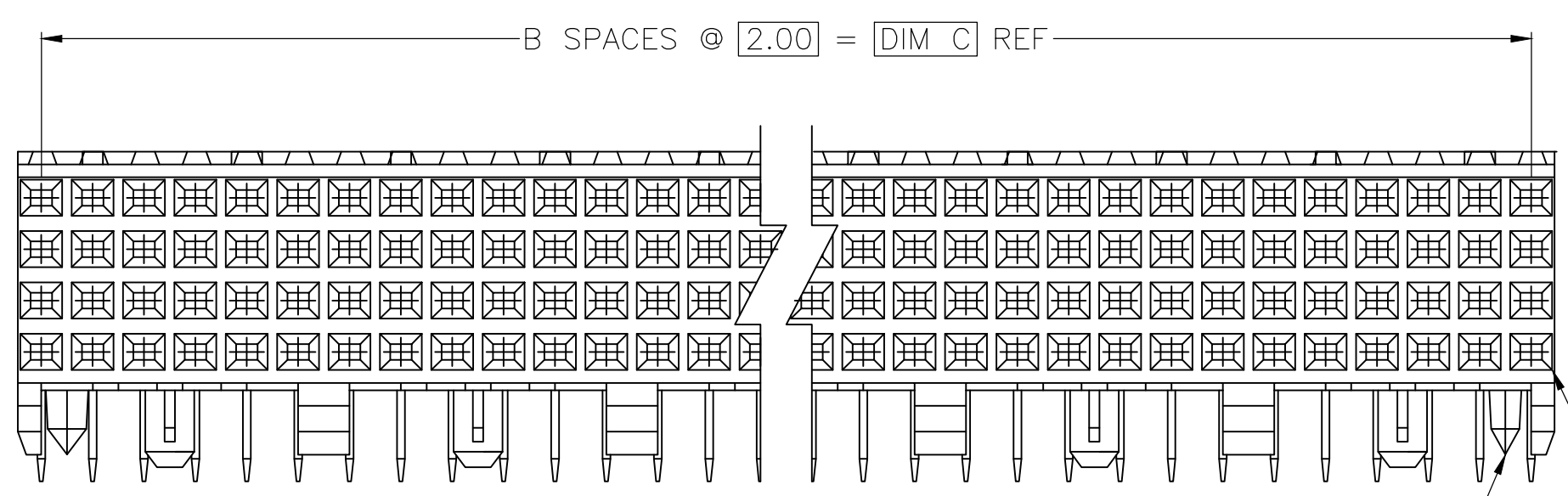
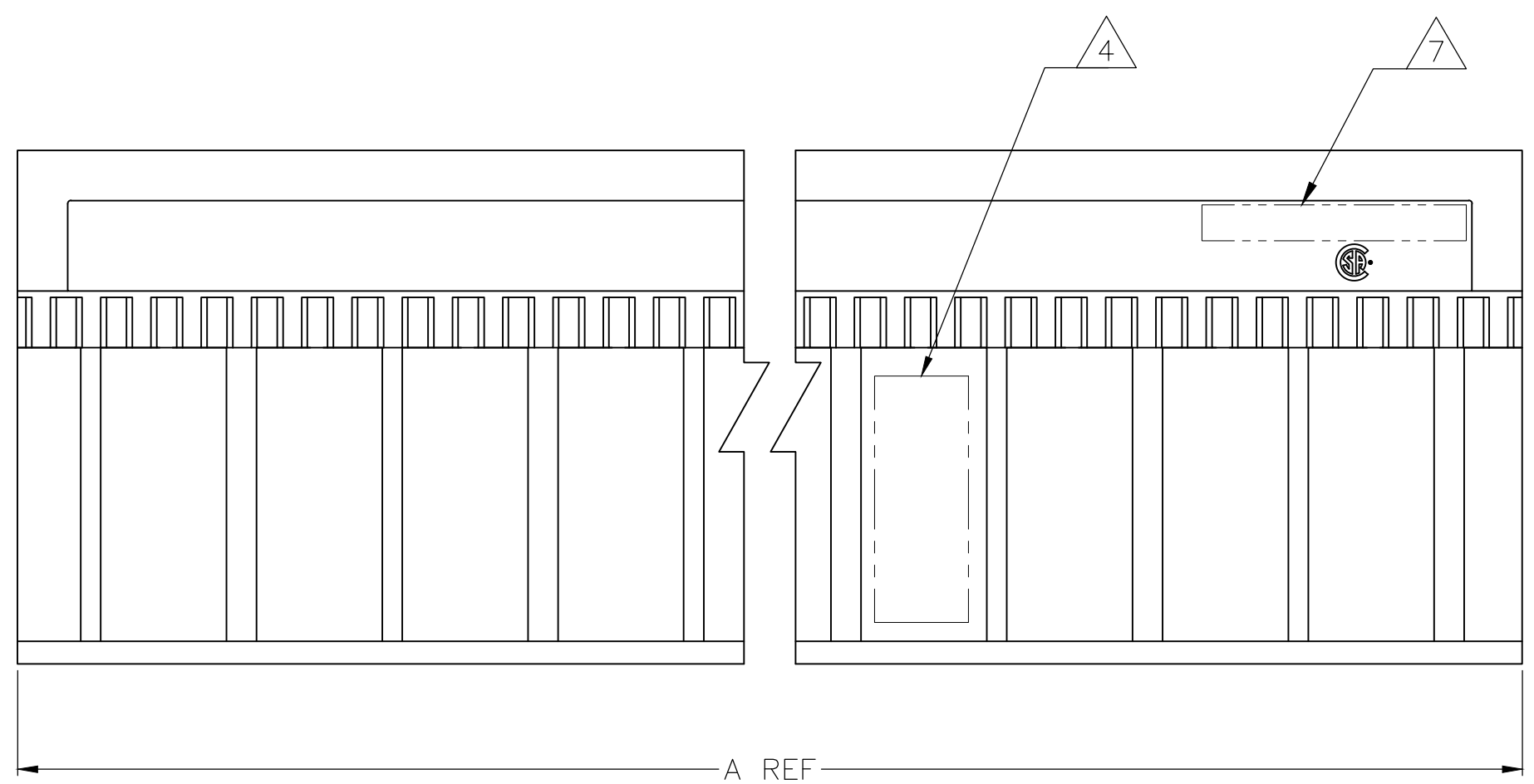
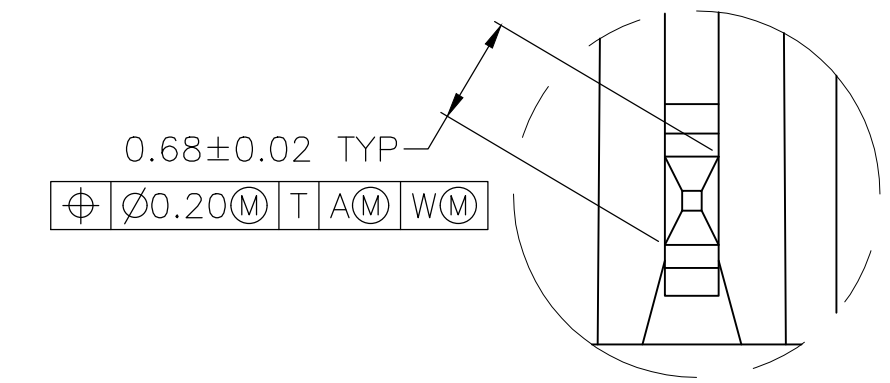
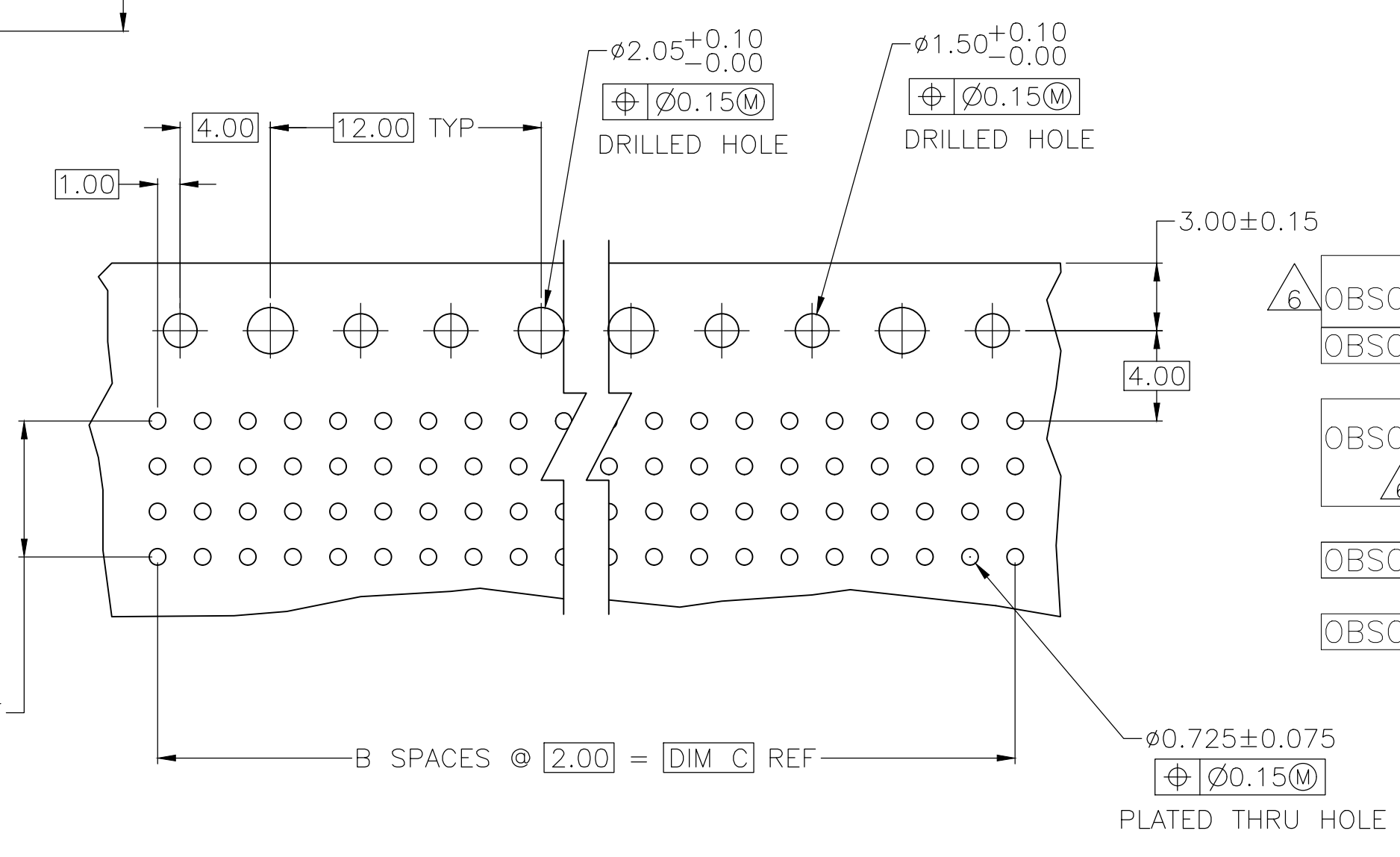


REVISIONS					
P	LTR	DESCRIPTION	DATE	DMN	APVD
F		REVISED PER ECO-20-013368	28SEP2020	RZ	HL



3 SPACES @ 2.00 = 6.00 REF



DETAIL Z  
SCALE 20:1

- △ HOUSING MATERIAL: LIQUID CRYSTAL POLYMER PER ASTM D5138 LCP000 G30A 32250, COLOR: NATURAL.
- △ CONTACT MATERIAL: PHOSPHOR-BRONZE.
- △ CONTACT FINISH:  
UNDERPLATE (ENTIRE CONTACT) - 0.00127 MIN NICKEL PER SAE-AMS-QQ-N-290.  
ON MATING SURFACES- CONFORMS TO ALL TESTING SPECIFIED FOR TELCORDIA UNCONTROLLED ENVIRONMENT  
ON LEADS- 0.0006 MIN TIN PER ASTM B 545, OVER UNDERPLATE  
LUBRICATION (MIN MATING SURFACES) SURFACE CONDITIONER AFTER PLATING.
- △ PART MARKING, LOCATED APPROXIMATELY AS SHOWN.
- △ CONTACT FINISH:  
UNDERPLATE (ENTIRE CONTACT) - 0.00127 MIN NICKEL PER SAE-AMS-QQ-N-290.  
ON MATING SURFACES- 0.00076 MIN NICKEL OR COBALT HARDENED GOLD PER ASTM B-488 OVER UNDERPLATE.  
ON LEADS- 0.0006 MIN TIN PER ASTM B 545, OVER UNDERPLATE  
LUBRICATION (MIN MATING SURFACES) SURFACE CONDITIONER AFTER PLATING.
- △ OBSOLETE PARTS: OBSOLETE CIS STREAMLINING PER D.RENAUD/D.SINISI
- △ TE OR TE CONNECTIVITY LOGO IS LOCATED.

OBSOLETE	NO	46	23	47.88	△5	96	<del>3-5536511-3</del>
	NO	22	11	23.88	△5	48	<del>3-5536511-2</del>
OBSOLETE	YES	10	5	11.88	△5	24	<del>3-5536511-1</del>
	NO	34	17	35.88	△3	72	<del>1-5536511-2</del>
OBSOLETE	NO	130	65	131.88	△3	264	<del>1-5536511-1</del>
	NO	106	53	107.88	△3	216	<del>1-5536511-0</del>
OBSOLETE	NO	118	59	119.88	△3	240	<del>5536511-9</del>
	NO	82	41	83.88	△3	168	5536511-8
OBSOLETE	NO	66	33	67.88	△3	136	<del>5536511-7</del>
	NO	58	29	59.88	△3	120	5536511-6
OBSOLETE	NO	70	35	71.88	△3	144	<del>5536511-5</del>
	NO	94	47	95.88	△3	192	5536511-4
OBSOLETE	NO	46	23	47.88	△3	96	5536511-3
	NO	22	11	23.88	△3	48	5536511-2
OBSOLETE	YES	10	5	11.88	△3	24	5536511-1
	NO	46	23	47.88	△3	96	5536511-3
OBSOLETE	NO	22	11	23.88	△3	48	5536511-2
	YES	10	5	11.88	△3	24	5536511-1
POSITIONING PEGS	C	B	A	FINISH	NO OF POSN	PART NUMBER	

RECOMMENDED CIRCUIT PATTERN  
PER IPC-D300 TYPE II, CLASS C  
(COMPONENT SIDE)

THIS DRAWING IS A CONTROLLED DOCUMENT.

DIMENSIONS:	TOLERANCES UNLESS OTHERWISE SPECIFIED:	APVD	RCPT. ASSY, SIGNAL MODULE, Z-PACK 2mm FB 4 ROW, 3.55mm PRESS FIT LEAD LENGTH
mm	0 PLC ± - 1 PLC ± - 2 PLC ± .13 3 PLC ± .13 4 PLC ± - ANGLES ± -	R. WERTZ	
MATERIAL	FINISH	APVD	RCPT. ASSY, SIGNAL MODULE, Z-PACK 2mm FB 4 ROW, 3.55mm PRESS FIT LEAD LENGTH
△1 △2	△3 △5	WEIGHT	0.000000
CUSTOMER DRAWING		SCALE	4:1
		SHEET	1 of 1
		REV	F