

MBT+I | Diamond cut knurled control knobs

with revolving handle, technopolymer



- 1
- 2
- 3
- 4
- 5
- 6
- 7
- 8
- 9
- 10
- 11
- 12
- 13
- 14
- 15
- 16
- 17
- 18

MATERIAL

High-resilience polypropylene based (PP) technopolymer, black colour, matte finish.

COLOURED CENTRE CAP

Technopolymer, matte finish.

To order, add the index of the desired colour (C9, ..., C17) to the code and the description.

On request and for sufficient quantities, it can be supplied in other colours or with customised graphic symbols, marks or writings.

REVOLVING HANDLE

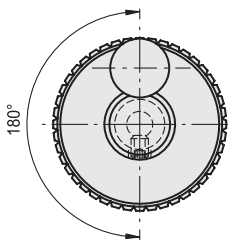
I.701+x (see page 666) in technopolymer.

STANDARD EXECUTION

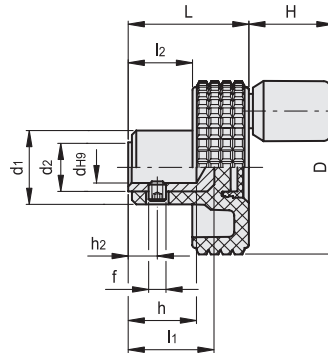
Brass boss, plain hole. Assembly by means of a supplied transversal grub screw UNI 5929-85 (grub screw with hexagon socket and cup end).



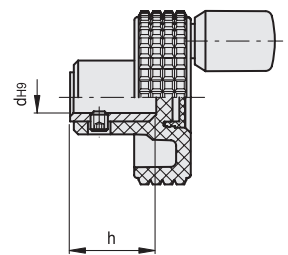
ELESA Original design



MBT.40/50/60/70



MBT.85/100



Conversion Table	
1 mm = 0.039 inch	
D	
mm	inch
39.5	1.55
50	1.97
61	2.40
70	2.76
85	3.35
100	3.94



* Complete with colour index, example: 34398-C2 MBT.40+I B-6-C2

- C9** RAL9005
- C2** RAL2004
- C3** RAL7035
- C4** RAL1021
- C5** RAL5024
- C6** RAL3000
- C17** RAL6017



Code	Description	D	dH9	L	l1	l2	d1	d2	h	h2	f	H	
34398-*	MBT.40+I B-6-*	39.5	6	26.5	17	12.5	17	12	14	4	M4	20	34
34498-*	MBT.50+I B-6-*	50	6	33	23	16	20	15	18	5	M5	20	54
34598-*	MBT.60+I B-8-*	61	8	39	25	18.5	23	15	20	6	M5	23	65
34698-*	MBT.70+I B-10-*	70	10	42	30	20.5	24	16	25	6	M5	23	73
34798-*	MBT.85+I B-10-*	85	10	30.5	-	10.5	29	16	22	6	M5	23	84
34898-*	MBT.100+I B-10-*	100	10	31	-	11	35	16	22	6	M5	23	102

Control elements