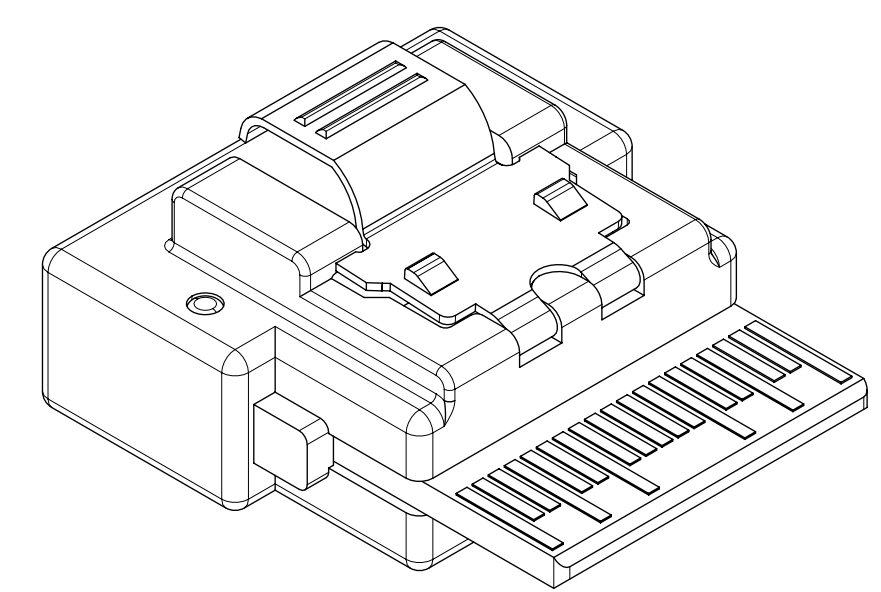


MOLEX P/N	LENGTH	TOLERANCE (mm)	AWG	IMPEDANCE	EE SPEC	LABEL CONTEXT
2073701000	152mm	±10	32	100 OHMS	SAS 4.0	SAS4.0 100 Ohm
2073701001	300mm	±10	32	100 OHMS	SAS 4.0	SAS4.0 100 Ohm
2073701002	1000mm	±15	32	100 OHMS	SAS 4.0	SAS4.0 100 Ohm
2073701003	500mm	±10	32	100 OHMS	SAS 4.0	SAS4.0 100 Ohm
2073701300	152mm	±10	32	100 OHMS	SAS 3.0	SAS3.0 100 Ohm
2073701301	300mm	±10	32	100 OHMS	SAS 3.0	SAS3.0 100 Ohm
2073701302	1000mm	±15	32	100 OHMS	SAS 3.0	SAS3.0 100 Ohm
207370130	500mm	±10	32	100 OHMS	SAS 3.0	SAS3.0 100 Ohm
2073721001	300mm	±10	32	85 OHMS	PCIe 4.0	PCIe4.0 85 Ohm
2073721002	1000mm	±15	32	85 OHMS	PCIe 4.0	PCIe4.0 85 Ohm
2073721003	500mm	±10	32	85 OHMS	PCIe 4.0	PCIe4.0 85 Ohm



NOTES:
 1. MATERIAL:
 HOUSING - PC 94V-0 BLACK
 LATCH - STAINLESS STEEL
 EXPANDO - PET
 CABLE - SHIELD: ALUMINIZED POLYESTER FOIL
 - SIGNAL PAIR : SILVER-COATED COPPER
 - DRAIN: TIN-COATED COPPER
 - CONFORMS TO VW1
 PCB - FR4 (HALOGEN FREE)
 2. THIS PRODUCT CONFORMS TO THE MECHANICAL DIMENSIONING OF SFF-8654
 3. RoHS COMPLIANT. NO EXEMPTIONS

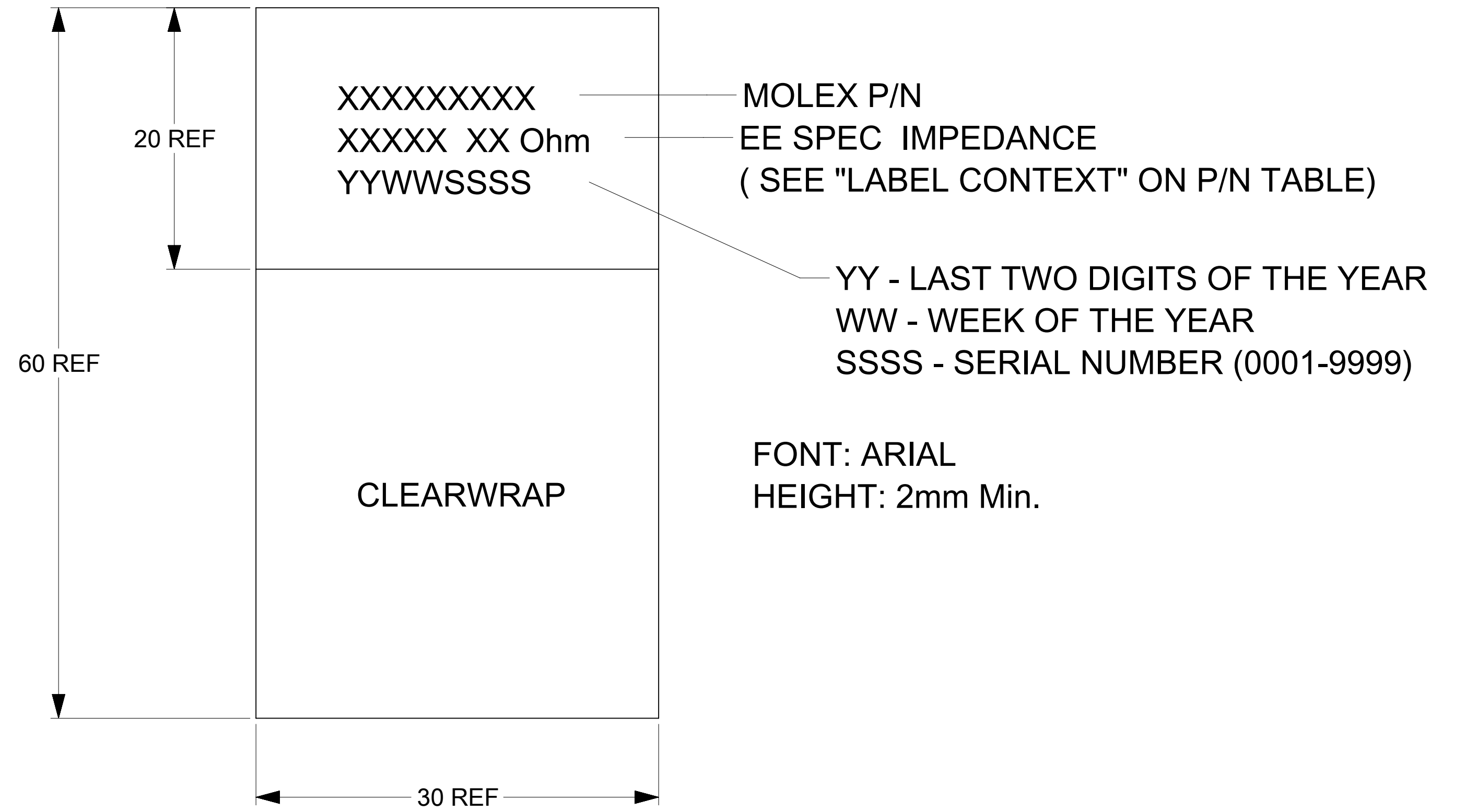
FUNCTIONAL SYMBOLS $F_A = 0$ $F_C = 0$ $F_P = 0$ DIVISIONAL SYMBOLS	DIMENSION UNITS: mm SCALE: 5:1		CURRENT REV DESC:				
	GENERAL TOLERANCES (UNLESS SPECIFIED)		EC NO: 750195 DRWN: AMRUTH 2023/05/19 CHK'D: PRARTP 2023/05/19 APPR: VPENG01 2023/05/19			SLIMSAS 4X STR TO RAD CABLE ASSY.	
	ANGULAR TOL ± 3.0° 4 PLACES ± 3 PLACES ± 0.2 2 PLACES ± 0.3 1 PLACE ± 0.4 0 PLACES ±		INITIAL REVISION: DRWN: LOU01 2018/06/28 APPR: VPENG01 2018/08/13				PRODUCT CUSTOMER DRAWING
	DRAFT WHERE APPLICABLE MUST REMAIN WITHIN DIMENSIONS		THIRD ANGLE PROJECTION	DRAWING: D-SIZE		SERIES: 207370	DOCUMENT NUMBER: 2073701000 DOC TYPE: PSD DOC PART: 000 REVISION: E
			MATERIAL NUMBER: SEE P/N TABLE	CUSTOMER: GENERAL MARKET		SHEET NUMBER: 1 OF 3	

PINOUT DIAGRAM

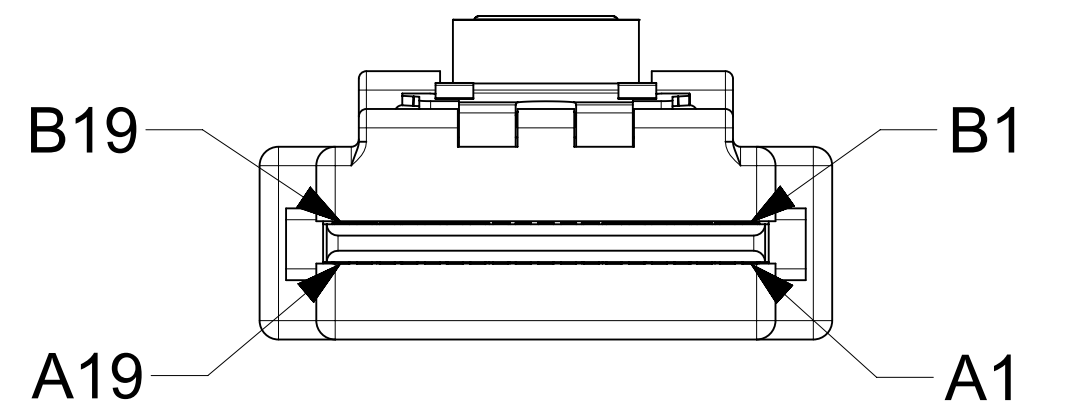
P1		SIGNAL TYPE	P2	
GND	A1	—	B1	GND
RX0+	A2	←	B2	TX0+
RX0-	A3	←	B3	TX0-
GND	A4	—	B4	GND
RX1+	A5	←	B5	TX1+
RX1-	A6	←	B6	TX1-
GND	A7	—	B7	GND
SB	A8	↔	B8	SB
SB	A9	↔	B9	SB
SB	A10	↔	B10	SB
SB	A11	↔	B11	SB
SB	A12	↔	B12	SB
GND	A13	—	B13	GND
RX2+	A14	←	B14	TX2+
RX2-	A15	←	B15	TX2-
GND	A16	—	B16	GND
RX3+	A17	←	B17	TX3+
RX3-	A18	←	B18	TX3-
GND	A19	—	B19	GND
GND	B1	—	A1	GND
TX0+	B2	→	A2	RX0+
TX0-	B3	→	A3	RX0-
GND	B4	—	A4	GND
TX1+	B5	→	A5	RX1+
TX1-	B6	→	A6	RX1-
GND	B7	—	A7	GND
SB	B8	↔	A8	SB
SB	B9	↔	A9	SB
SB	B10	↔	A10	SB
SB	B11	↔	A11	SB
SB	B12	↔	A12	SB
GND	B13	—	A13	GND
TX2+	B14	→	A14	RX2+
TX2-	B15	→	A15	RX2-
GND	B16	—	A16	GND
TX3+	B17	→	A17	RX3+
TX3-	B18	→	A18	RX3-
GND	B19	—	A19	GND

—————> = TRANSMIT TO RECEIVE ON HIGH SPEED CIRCUITS
 ————— = GND
 <—————> = SIDEBAND
 NOTE: ALL SIGNAL GROUND ARE BUSSED IN PCB.

LABEL DETAIL

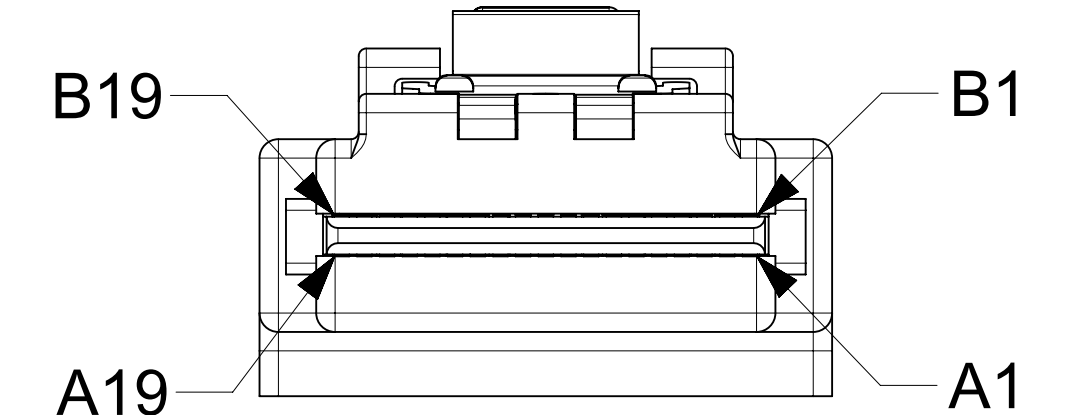


P1



VIEW FROM MATING END OF THE CONNECTOR

P2



VIEW FROM MATING END OF THE CONNECTOR

FUNCTIONAL SYMBOLS	THIS DRAWING CONTAINS INFORMATION THAT IS PROPRIETARY TO MOLEX ELECTRONIC TECHNOLOGIES, LLC AND SHOULD NOT BE USED WITHOUT WRITTEN PERMISSION		CURRENT REV DESC:		molex
	FA = 0	mm	SCALE 1:1		
DIVISIONAL SYMBOLS	GENERAL TOLERANCES (UNLESS SPECIFIED)		EC NO: 750195		SLIMSAS 4X STR TO RAD CABLE ASSY.
	FC = 0	ANGULAR TOL ± 3.0°		DRWN: AMRUTH 2023/05/19	
DIVISIONAL SYMBOLS	FD = 0	4 PLACES ±		CHK'D: PRARTP 2023/05/19	PRODUCT CUSTOMER DRAWING
		3 PLACES ± 0.2		APPR: VPENG01 2023/05/19	
		2 PLACES ± 0.3		INITIAL REVISION:	DOCUMENT NUMBER
		1 PLACE ± 0.4		DRWN: LOU01 2018/06/28	
	0 PLACES ±		APPR: VPENG01 2018/08/13	2073701000	
DRAFT WHERE APPLICABLE MUST REMAIN WITHIN DIMENSIONS		THIRD ANGLE PROJECTION	DRAWING	SERIES	MATERIAL NUMBER
			D-SIZE	207370	CUSTOMER
					SEE P/N TABLE
					GENERAL MARKET
					SHEET NUMBER
					2 OF 3

REVISION TABLE			
DATE	REV	DESCRIPTION	ENGINEER
2020/07/17	C	ADDED THE 500MM LENGTH P/N TO THE P/N TABLE	SACHIN M K
2021/03/31	D	SHEET 1: UPDATED THE SLIMSAS 4X STR MODEL TO THE LATEST VERSION	SACHIN M K
2023/05/19	E	SHEET 02: UPDATED LABEL NOTE TO "SSSS - SERIAL NUMBER (0001-9999)"	AMRUTH

FUNCTIONAL SYMBOLS FA = 0 FC = 0 FP = 0 DIVISIONAL SYMBOLS	THIS DRAWING CONTAINS INFORMATION THAT IS PROPRIETARY TO MOLEX ELECTRONIC TECHNOLOGIES, LLC AND SHOULD NOT BE USED WITHOUT WRITTEN PERMISSION			 SLIMSAS 4X STR TO RAD CABLE ASSY.				
	DIMENSION UNITS	SCALE	CURRENT REV DESC:					
	mm	1:1	EC NO: 750195					
	GENERAL TOLERANCES (UNLESS SPECIFIED)			DRWN: AMRUTH 2023/05/19				
	ANGULAR TOL ± 3.0°			CHK'D: PRARTP 2023/05/19				
	4 PLACES ±			APPR: VPENG01 2023/05/19				
3 PLACES ± 0.2			INITIAL REVISION:					
2 PLACES ± 0.3			DRWN: LOU01 2018/06/28					
1 PLACE ± 0.4			APPR: VPENG01 2018/08/13					
0 PLACES ±			DRWN: LOU01 2018/06/28					
DRAFT WHERE APPLICABLE MUST REMAIN WITHIN DIMENSIONS			THIRD ANGLE PROJECTION	DRAWING	SERIES	MATERIAL NUMBER	CUSTOMER	SHEET NUMBER
				D-SIZE	207370	2073701000	GENERAL MARKET	3 OF 3