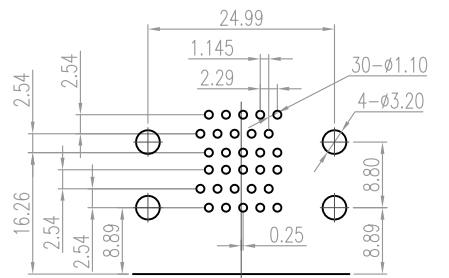
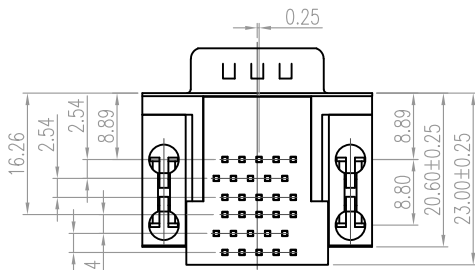
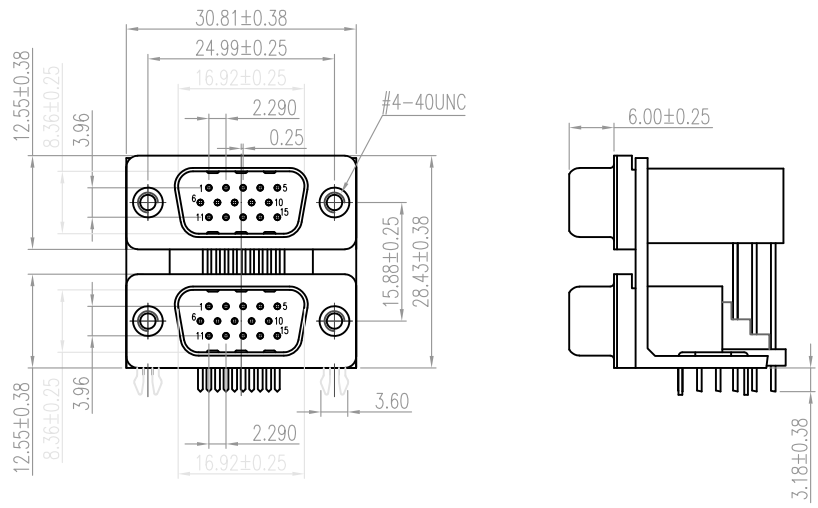


DESCRIPTION: HD // 15 POS // MALE OVER MALE // 0.625" CENTERS



RECOMMENDED P.C.B LAYOUT

**ELECTRICAL CHARACTERISTICS**

- VOLTAGE: 250 VAC (rms) Max.
- CURRENT RATING: 3 AMPS PER CONTACT
- CONTACT RESISTANCE: 25 MilliOhms Max.
- INSULATION RESISTANCE: 5000 MOhms Min.
- dIELECTRIC WITHSTANDING: 1000 VAC (rms)
- TOTAL MATING FORCE: 6.0 Kgf Max.
- TOTAL UNMATING FORCE: 1.2 Kgf Min.
- OPERATING TEMPERATURE: -55°C TO +85°C

**MATERIAL CHARACTERISTICS**

- HOUSING: PA9T, UL94V-0, BLACK
- CONTACTS: COPPER ALLOY
- SHELL: SPCC
- BOARDLOCK: COPPER ALLOY
- BRACKET: ZINC ALLOY
- SCREWLOCK: COPPER ALLOY

**PLATING CHARACTERISTICS**

- CONTACTS: SEE PART NUMBER KEY BELOW
- SHELL: NICKEL PLATED
- BOARDLOCK: TIN PLATED
- BRACKET: NICKEL PLATED
- SCREWLOCK: NICKEL PLATED

**189-YYY-613R49Y**

- SERIES \_\_\_\_\_
- POSITIONS \_\_\_\_\_
- H15 \_\_\_\_\_
- GENDER \_\_\_\_\_
- 61 = MALE OVER MALE \_\_\_\_\_
- SHELL PLATING \_\_\_\_\_
- 3 = NICKEL \_\_\_\_\_
- RoHS COMPLIANT (HIGH TEMP. PROCESS) \_\_\_\_\_
- HARDWARE OPTIONS \_\_\_\_\_
- 49 = 4-40 INSERTS/BOARD LOCKS \_\_\_\_\_
- PLATING OPTIONS \_\_\_\_\_
- 2 = 30u" GOLD PLATING MATING AREA & BRIGHT TIN IN SOLDER AREA \_\_\_\_\_
- 7 = GOLD FLASH OVER NICKEL IN MATING AREA WITH TIN OVER NICKEL TAILS \_\_\_\_\_

RoHS COMPLIANT

UNITS = mm

DO NOT SCALE FROM DRAWING

	THESE DRAWINGS AND SPECIFICATIONS ARE THE PROPERTY OF NorComp AND SHALL NOT BE REPRODUCED, COPIED OR USED AS THE BASIS FOR THE MANUFACTURE OR SALE OF APPARATUS WITHOUT WRITTEN PERMISSION.	DRAWN: <b>J. KADEL</b>
		DATE: <b>07/05/2018</b>

	SCALE: NTS	SHEET 1	OF 1	REV 5
	DWG NO. <b>189-H15-613R49Y</b>			