

Bus system T-connector - SAC-M12T/2XM12 PB DP F - 1543553

Please be informed that the data shown in this PDF Document is generated from our Online Catalog. Please find the complete data in the user's documentation. Our General Terms of Use for Downloads are valid (<http://phoenixcontact.com/download>)



Bus system T-connector, PROFIBUS DP, 5-position, Plug straight M12, B-coded, on Plug straight M12, B-coded and Socket straight M12, B-coded



Key Commercial Data

Packing unit	1 pc
GTIN	
GTIN	4046356098298

Technical data

Ambient conditions

Ambient temperature (operation)	-40 °C ... 80 °C (Plug / socket)
	250 °C (Short-term)
Degree of protection	IP67

General

Rated voltage	30 V
Number of positions	5
Signal type/category	PROFIBUS DP
Insertion/withdrawal cycles	≥ 100

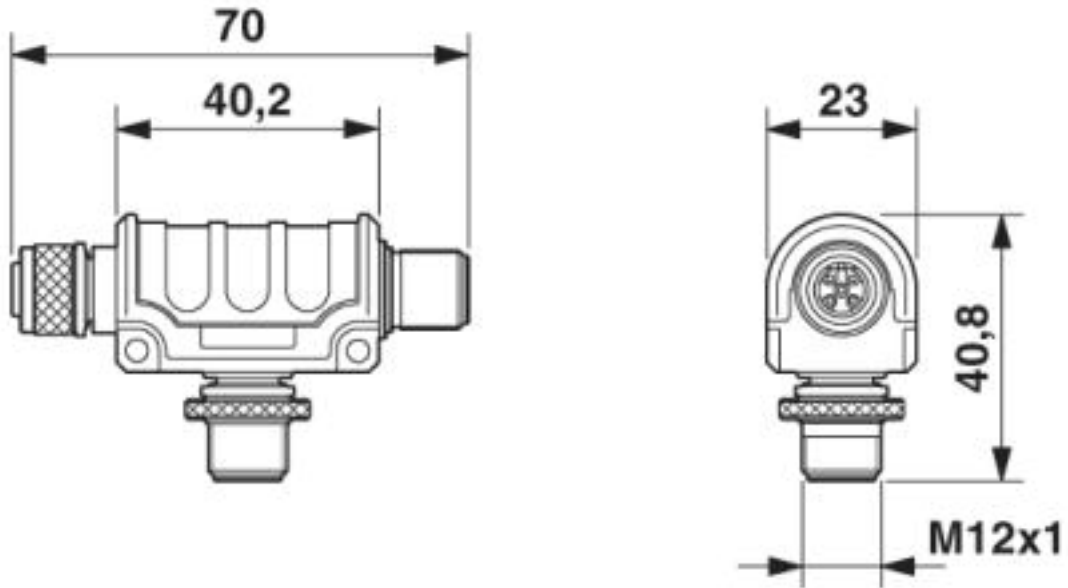
Material

Contact material	CuZn
Contact surface material	Au
Contact carrier material	PUR
Material of grip body	PUR
Material, knurls	Nickel-plated brass

Drawings

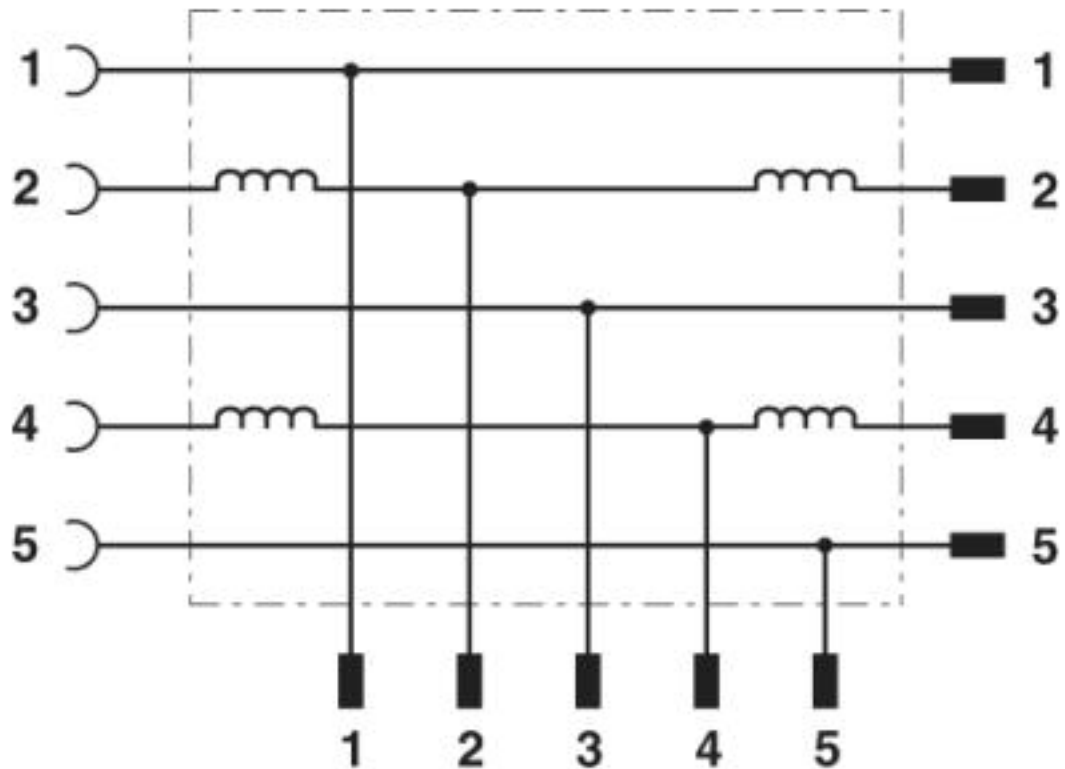
Bus system T-connector - SAC-M12T/2XM12 PB DP F - 1543553

Dimensional drawing



M12 T distributor

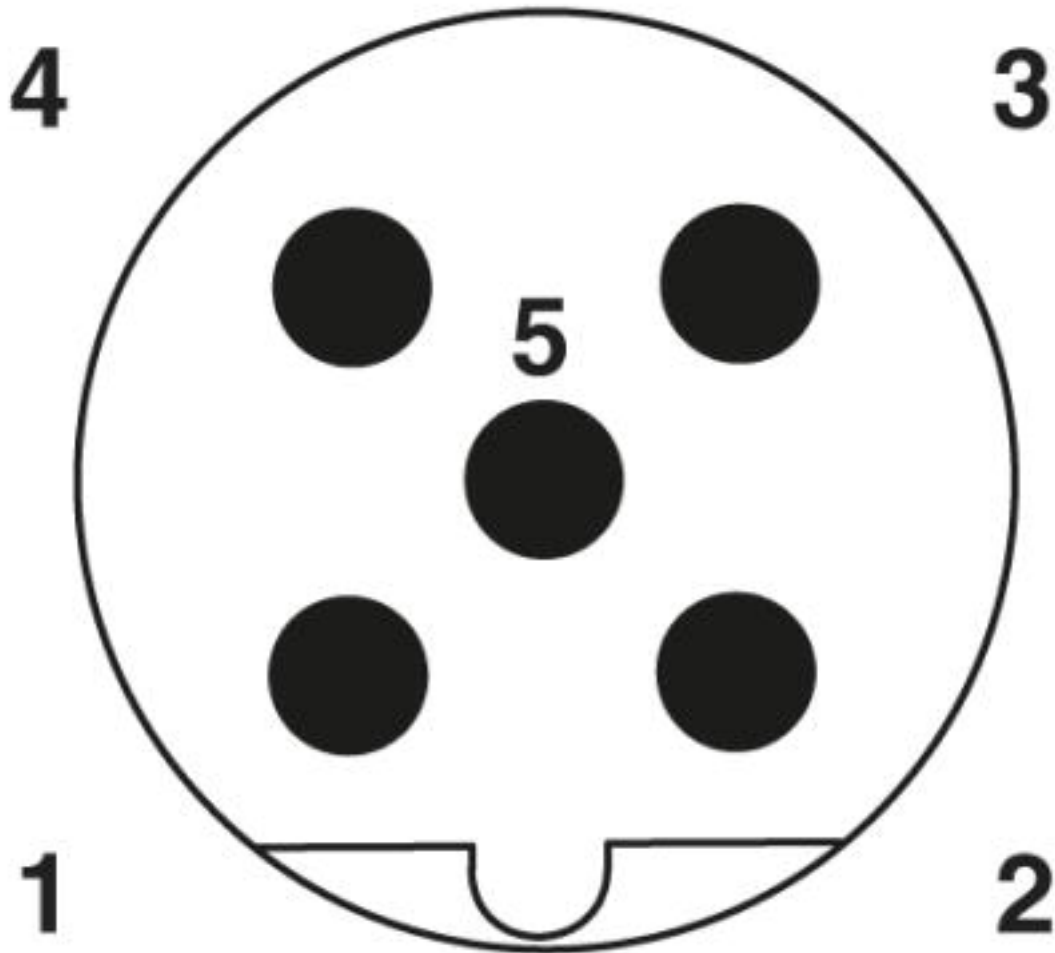
Circuit diagram



Contact assignment of the M12 plug and the M12 socket

Bus system T-connector - SAC-M12T/2XM12 PB DP F - 1543553

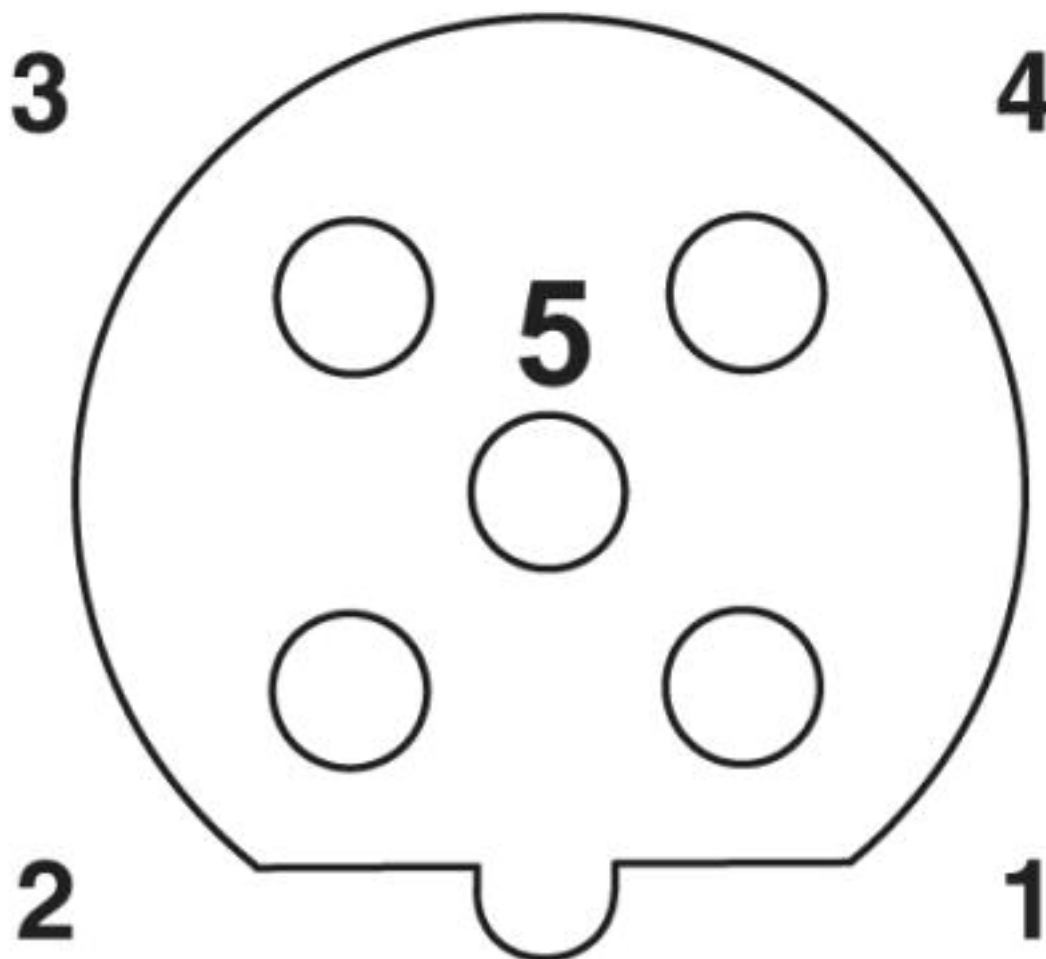
Schematic diagram



Pin assignment M12 male connector, 5-pos., B-coded, male side

Bus system T-connector - SAC-M12T/2XM12 PB DP F - 1543553

Schematic diagram



Pin assignment M12 socket, 5-pos., B-coded, female side

Phoenix Contact 2019 © - all rights reserved
<http://www.phoenixcontact.com>

PHOENIX CONTACT GmbH & Co. KG
Flachsmarktstr. 8
32825 Blomberg
Germany
Tel. +49 5235 300
Fax +49 5235 3 41200
<http://www.phoenixcontact.com>