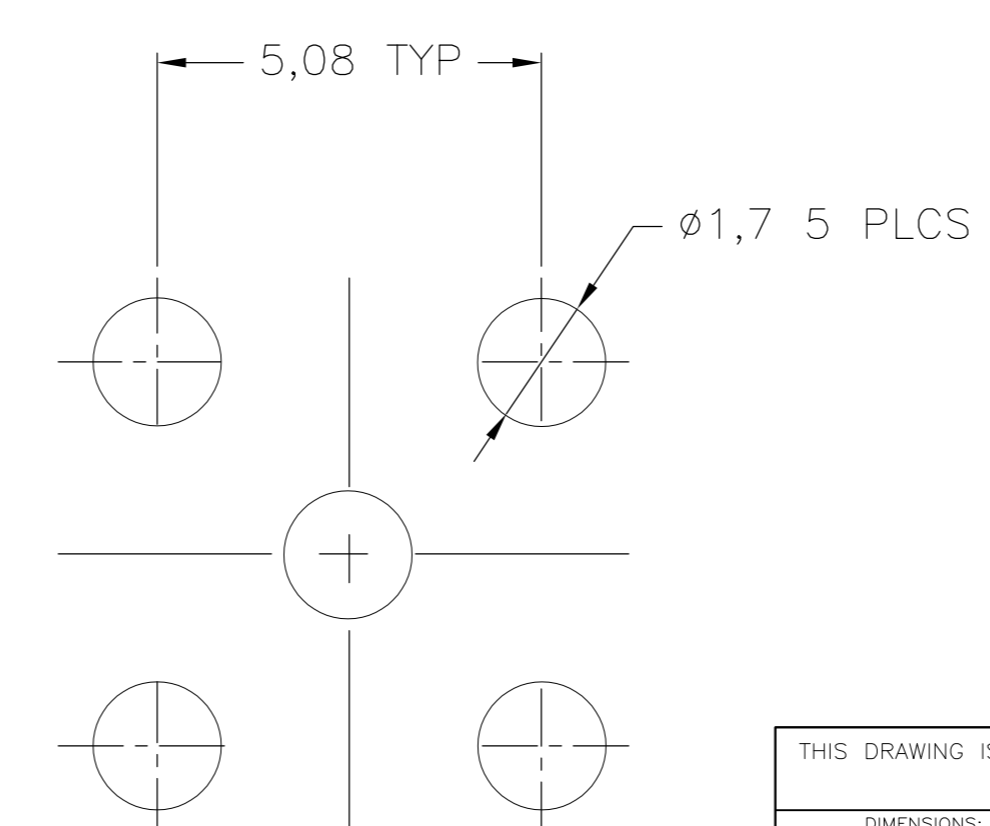
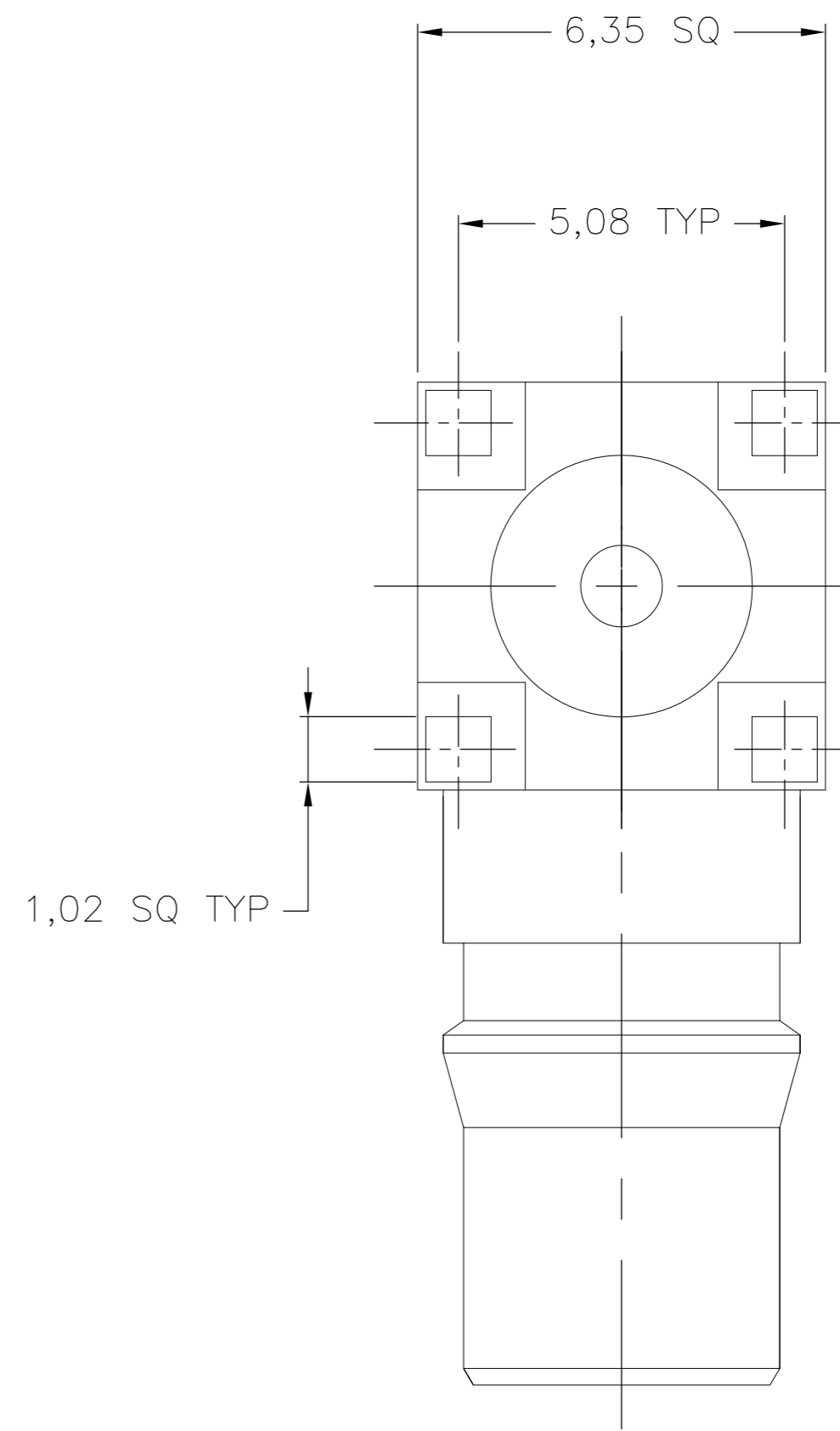
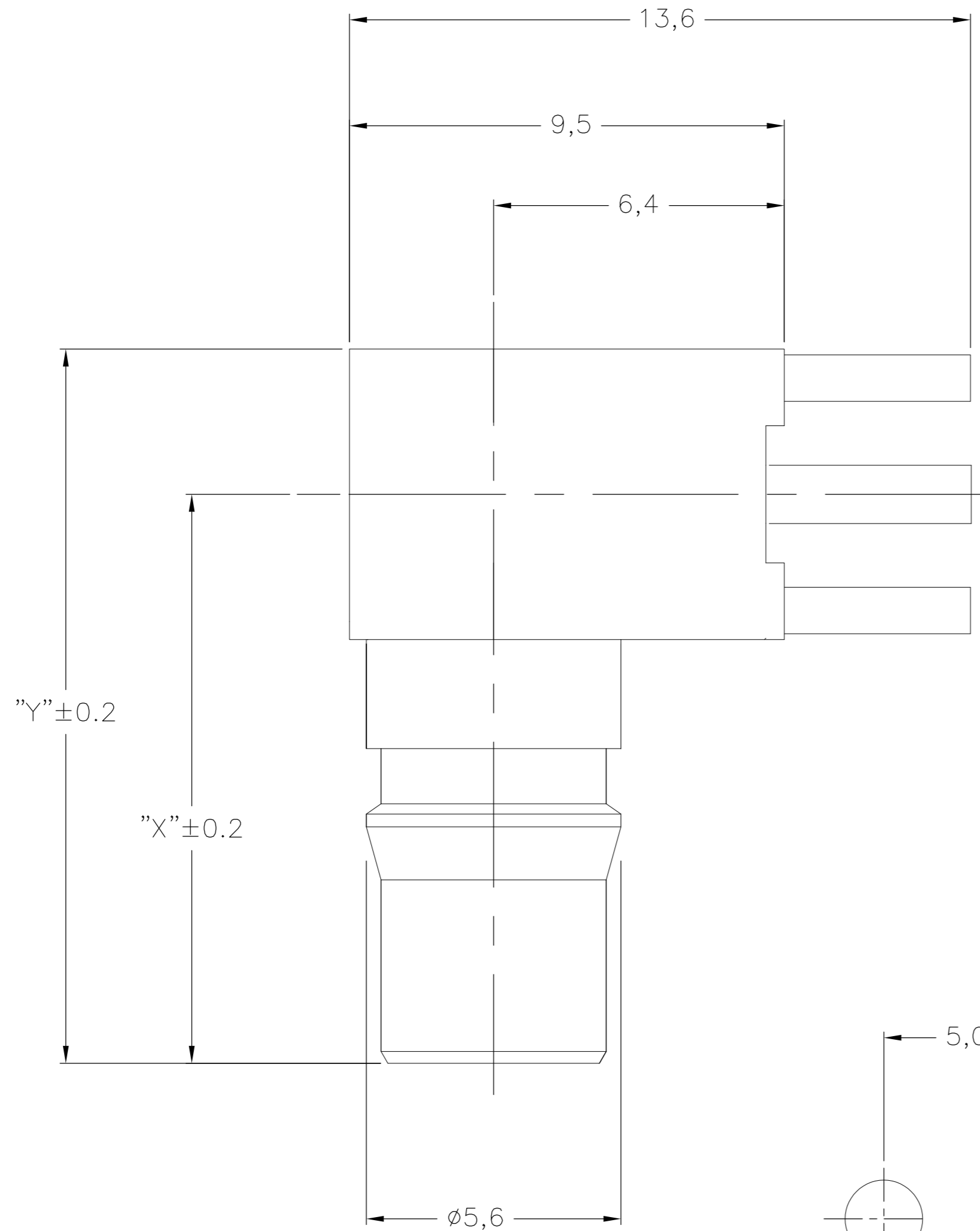


THIS DRAWING IS UNPUBLISHED. RELEASED FOR PUBLICATION  
 © COPYRIGHT - By - ALL RIGHTS RESERVED.

LOC	DIST	REVISIONS			
P	LTR	DESCRIPTION	DATE	DWN	APVD
HC	00	B2	REV PER ECO-14-005132	4APR2014	AM MY



RECOMMENDED MOUNTING HOLE

17.95	14.75	1408337-3
15.6	12.4	1408337-1
DIM "Y"	DIM "X"	PART NO.

CONTACT	BERYLLIUM COPPER	GOLD
HOUSING	BRASS	GOLD
DIELECTRIC	PTFE	N/A
COMPONENT	MATERIAL	FINISH

THIS DRAWING IS A CONTROLLED DOCUMENT. DWN DCam 16NOV2001  
 CHK -  
 APVD -  
 PRODUCT SPEC 108-2087  
 APPLICATION SPEC -  
 MATERIAL - FINISH -  
 WEIGHT -  
 CUSTOMER DRAWING

**STE** TE Connectivity  
 QMA RIGHT ANGLE PWB JACK

SIZE	CAGE CODE	DRAWING NO	RESTRICTED TO
A2	00779	C=1408337	-

SCALE 10:1 SHEET 1 of 1 REV B2