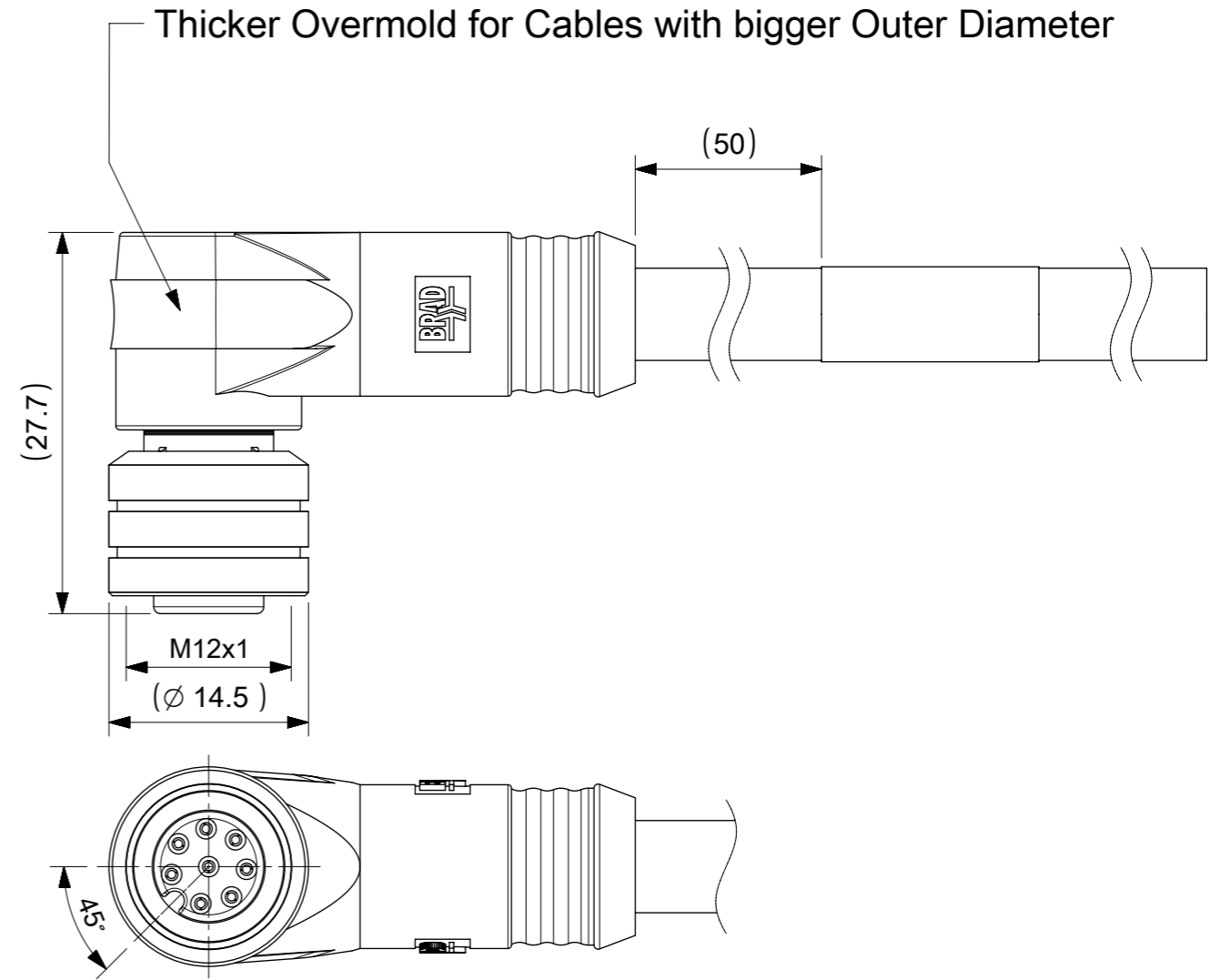
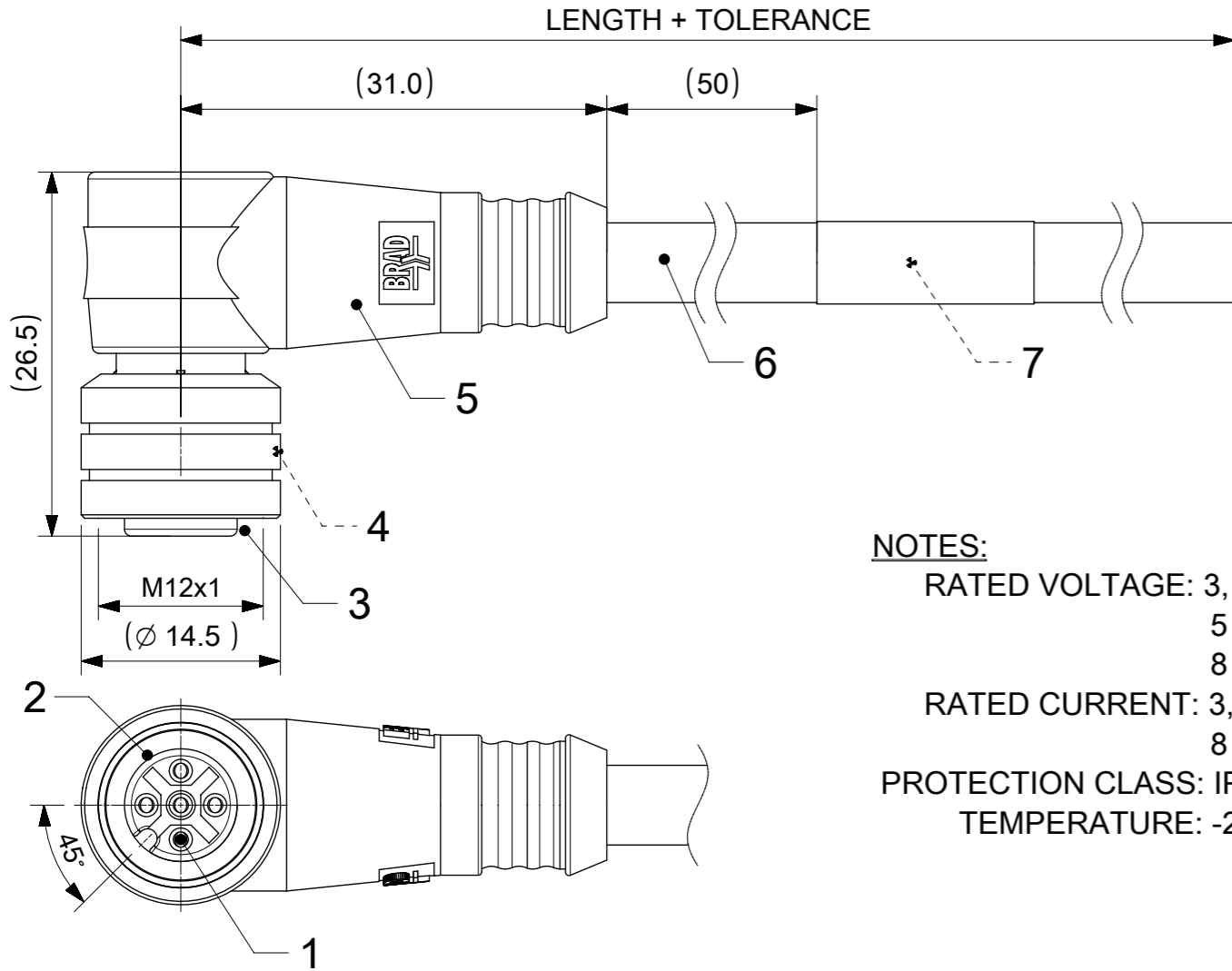


FEMALE PLUG M12 90° ANGLED



NOTES:
 RATED VOLTAGE: 3, 4 contacts 250V
 5 contacts 60V
 8 contacts 30V
 RATED CURRENT: 3, 4, 5 contacts 4A
 8 contacts 2A
 PROTECTION CLASS: IP 67
 TEMPERATURE: -25°C / +85°C

CONTACTS POSITION FRONT VIEW:

3 CONTACTS		4 CONTACTS		5 CONTACTS		8 CONTACTS	
PIN	WIRE	PIN	WIRE	PIN	WIRE	PIN	WIRE
1	BROWN	1	BROWN	1	BROWN	1	WHITE
2	---	2	WHITE	2	WHITE	2	BROWN
3	BLUE	3	BLUE	3	BLUE	3	GREEN
4	BLACK	4	BLACK	4	BLACK	4	YELLOW
5	---	5	---	5	GREY	5	GREY
						6	PINK
						7	BLUE
						8	RED

SHIELD CONNECTED TO THE COUPLING NUT
 CODING REQUIRED TO IEC 61076-2-101

FOR OPTIONS SEE - NUMERICAL CODE - ON SHEET 2

ITEM	QTY.	DESCRIPTION	MATERIAL	FINISH
7	1	LABEL YELLOW	VINYL	---
6	-	CABLE	SEE SHEET 2	---
5	-	OVERMOLDING BLACK	TPU	---
4	1	COUPLING NUT FEMALE	BRASS	NICKEL
3	1	INSERT FEMALE BLACK	PUR	---
2	1	ORING RED	FPM	---
1	3 / 4 / 5 / 8	CONTACT M12 FEMALE	BRASS	SELECTIVE Au OVER Ni

QUALITY SYMBOLS FA = 0 FE = 0 FB = 0 FC = 0 FD = 0 FE = 0 FF = 0 FG = 0 FH = 0 FI = 0 FJ = 0 FK = 0 FL = 0 FM = 0 FN = 0 FO = 0 FP = 0 FQ = 0 FR = 0 FS = 0 FT = 0 FU = 0 FV = 0 FW = 0 FX = 0 FY = 0 FZ = 0	THIS DRAWING CONTAINS INFORMATION THAT IS PROPRIETARY TO MOLEX ELECTRONIC TECHNOLOGIES, LLC AND SHOULD NOT BE USED WITHOUT WRITTEN PERMISSION		DIMENSION UNITS: MM SCALE: 2:1				
	EC NO: 116393 DRWN: AKONDRACIUK CHK'D: MIWASIECZKO	2017/04/29 2017/05/04	GENERAL TOLERANCES (UNLESS SPECIFIED) ANGULAR TOL ± 1.0 ° 4 PLACES ± 3 PLACES ± 2 PLACES ± 0.05 1 PLACE ± 0.1 0 PLACES ± 0.2			DRWN BY: AKONDRACIUK DATE: 2017/04/29 CHK'D BY: MIWASIECZKO DATE: 2017/05/04	CSE M12 XP AC FE RA XM SE SH PRODUCT CUSTOMER DRAWING
	DRAFT WHERE APPLICABLE MUST REMAIN WITHIN DIMENSIONS		DRAWING SIZE: A3 THIRD ANGLE PROJECTION	APPR BY: MIWASIECZKO DATE: 2017/05/04		SERIES: 120069 MATERIAL NUMBER: SEE SHEET 3 CUSTOMER: GENERAL MARKET	
	RELEASE STATUS: P1 RELEASE DATE: 04.05.2017 06:31:28		DOCUMENT NUMBER: 1200698017 DOC TYPE: PSD DOC PART: 000 SHEET NUMBER: 1 OF 3				

ENGINEERING NO. - NUMERICAL CODE (Available parts see PART LIST table. Others on request).

8 0 X S 0 1 X X X X X X X X

80=M12x1
Single ended

Contacts:
3=3 Contacts
4=4 Contacts
5=5 Contacts
8=8 Contacts

Heads style:
S01=Plug Shield Female
90° Angled

Cable type: See Table

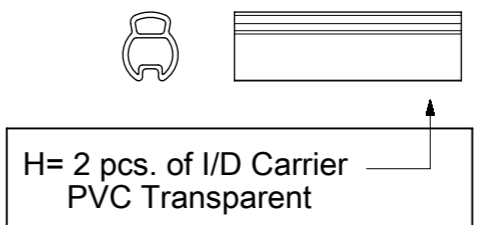
Units:
M=Meter
C=Centimeter

Length
Examples:
005=0.5 unit
010=1 unit
100=10 units

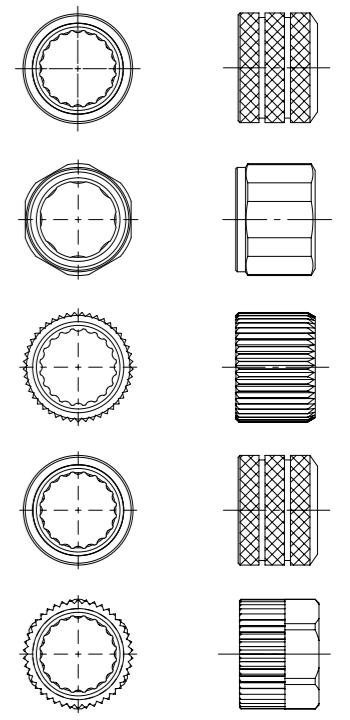
OPTIONS

Overmold color:
Blank (Standard)=Yellow TPU
Blank=Yellow TPU for cables S20,S26
Blank=Black TPU for cables P19,P20
A=Grey / G=Black / Y=Yellow

Coupling Nut:
Blank (Standard) & 3=Knurled Brass Ni Plated
1=Hexagonal Stainless steel
5=Knurled Derlin
7=Knurled Brass Ni Plated, Teflon Coated
Blank=7 for cables I20, I26, K03, K05, P82, S26
9=Knurled / Hexagonal Brass Ni Plated SW13

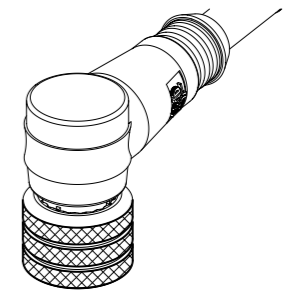


COUPLING NUTS



CABLE INFORMATION (for more information see Cable Data Sheet).

CABLE TYPE	NO. OF WIRES	CROSS SECTION	CABLE JACKET	UL	CSA	STATIC: TEMP. / BENDING RADIUS	DYNAMIC: TEMP. / BENDING RADIUS	DRAG CHAIN	SHIELD
P19	8	0.25mm ²	PUR BLACK	-	-	-40°C to +90°C, 7.5xO.D.	-15°C to +90°C, 12.5xO.D.	2 000 000 cycles, 15xO.D.	YES
P20	3 / 4 / 5	0.34mm ²	PUR BLACK LS0H	-	-	-30°C to +80°C	-	-	YES
S20	3 / 4 / 5	0.34mm ²	PVC YELLOW	UL 2661/1731	C22.2 II A 105°C/300V	-30°C to +105°C	-	-	YES
S26	5	0.34mm ²	PVC YELLOW	UL 2661/1731	C22.2 II A 105°C/300V	-30°C to +105°C	-	-	YES



SCALE 1:1

CABLE LENGTH TOLERANCES

OVER	UP TO AND INCLUDING	TOLERANCES
0	305mm	+19mm
305mm	915mm	+45mm
915mm	1830mm	+56mm
1830mm	3660mm	+89mm
3660mm	7320mm	+165mm
7320mm	14640mm	+317mm
14640mm	30500mm	+610mm
30500mm	>	+2% of finished length

THIS DRAWING CONTAINS INFORMATION THAT IS PROPRIETARY TO MOLEX ELECTRONIC TECHNOLOGIES, LLC AND SHOULD NOT BE USED WITHOUT WRITTEN PERMISSION

QUALITY SYMBOLS FA = 0 FE = 0 FB = 0 ▼ = 0 C = 0 ⊗ = 0 ■ = 0 ∇ = 0	EC NO: 116393 DRWN: AKONDRACIUK CHK'D: MIWASIECZKO APPR: MIWASIECZKO	2017/04/29 2017/05/04	GENERAL TOLERANCES (UNLESS SPECIFIED) ANGULAR TOL ± 1.0 °		DIMENSION UNITS MM	SCALE 1:1			
			4 PLACES ±	DRWN BY AKONDRACIUK	DATE 2017/04/29	PRODUCT CUSTOMER DRAWING SERIES: 120069 MATERIAL NUMBER: SEE SHEET 3 CUSTOMER: GENERAL MARKET			
			3 PLACES ±	CHK'D BY	DATE				
			2 PLACES ± 0.05	APPR BY MIWASIECZKO	DATE 2017/05/04				
1 PLACE ± 0.1	DRAWING SIZE A3		THIRD ANGLE PROJECTION						
0 PLACES ± 0.2	DRAFT WHERE APPLICABLE MUST REMAIN WITHIN DIMENSIONS				DOCUMENT NUMBER 1200698017		DOC TYPE PSD	DOC PART 000	SHEET NUMBER 2 OF 3

PART LIST

No	Part No	Engineering No	Cable Length [m]
1	1200100291	804S01S20M0501	5
2	1200698017	804S01S20M100	10
3	1200698064	804S01S20M2501	25
4	1200698122	805S01S20M100	10
5	1200699461	804S01S20M025	2.5
6	1200698021	805S01S26M050	5
7	1200698022	805S01S26M060	6
8	1200698142	805S01S26M040	4
9	1200698191	808S01P19M0501A	5
10	1200698078	808S01P19M020	2
11	1200698119	808S01P19M0501G	5
12	1200698214	808S01P19M100	10
13	1200698446	808S01P19M200	20
14	1200100249	804S01P20M080	8
15	1200690187	804S01P20M050	5
16	1200695042	803S01P20M050	5
17	1200698003	803S01P20M020	2
18	1200698005	804S01P20M250	25
19	1200698010	803S01P20M100	10
20	1200698016	804S01P20M100	10
21	1200698079	804S01P20M020	2
22	1200698098	804S01P20M0501G	5
23	1200698188	805S01P20M050	5
24	1200698189	805S01P20M100	10
25	1200698190	805S01P20M020	2
26	1200698320	804S01P20M050Y	5
27	1200698364	805S01P20M050H	5
28	1200698366	805S01P20M150H	15
29	1200698430	804S01P20M150	15
30	1200698755	805S01P20M1501	15
31	1200699398	805S01P20M200	20
32	1200699399	805S01P20M150	15
33	1200699417	805S01P20M030	3
34	1200698082	804S01P20M1001	10
35			

QUALITY SYMBOLS 	THIS DRAWING CONTAINS INFORMATION THAT IS PROPRIETARY TO MOLEX ELECTRONIC TECHNOLOGIES, LLC AND SHOULD NOT BE USED WITHOUT WRITTEN PERMISSION											
	EC NO: 116393 DRWN: AKONDRACIUK CHK'D: MIWASIECZKO APPR: MIWASIECZKO	2017/04/29	2017/05/04	GENERAL TOLERANCES (UNLESS SPECIFIED)		DIMENSION UNITS	SCALE					
				ANGULAR TOL ± 1.0 °		MM	1:1					
				4 PLACES ±	DRWN BY		DATE		CSE M12 XP AC FE RA XM SE SH			
				3 PLACES ±	AKONDRACIUK		2017/04/29					
				2 PLACES ± 0.05	CHK'D BY		DATE		PRODUCT CUSTOMER DRAWING			
			1 PLACE ± 0.1	APPR BY		DATE						
			0 PLACES ± 0.2	MIWASIECZKO		2017/05/04		SERIES	MATERIAL NUMBER	CUSTOMER		
			DRAFT WHERE APPLICABLE MUST REMAIN WITHIN DIMENSIONS	DRAWING SIZE	THIRD ANGLE PROJECTION		120069		SEE PART LIST		GENERAL MARKET	
				A3			DOCUMENT NUMBER		DOC TYPE	DOC PART	SHEET NUMBER	
						1200698017		PSD	000	3 OF 3		