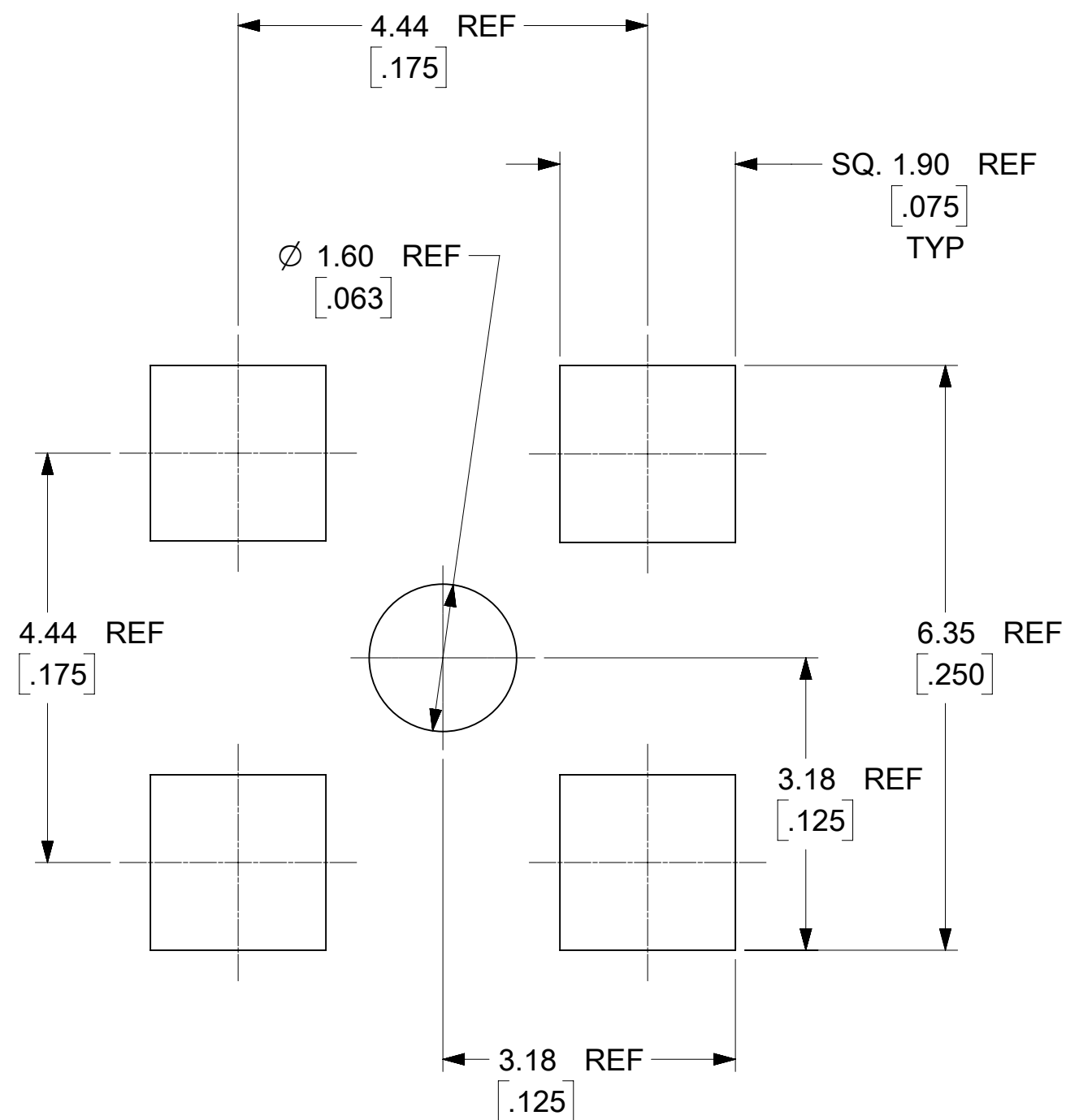
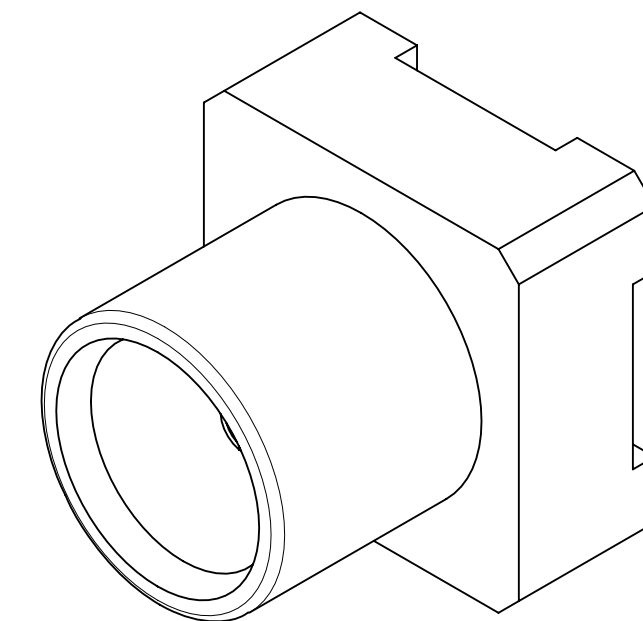


MATERIALS AND FINISHES:

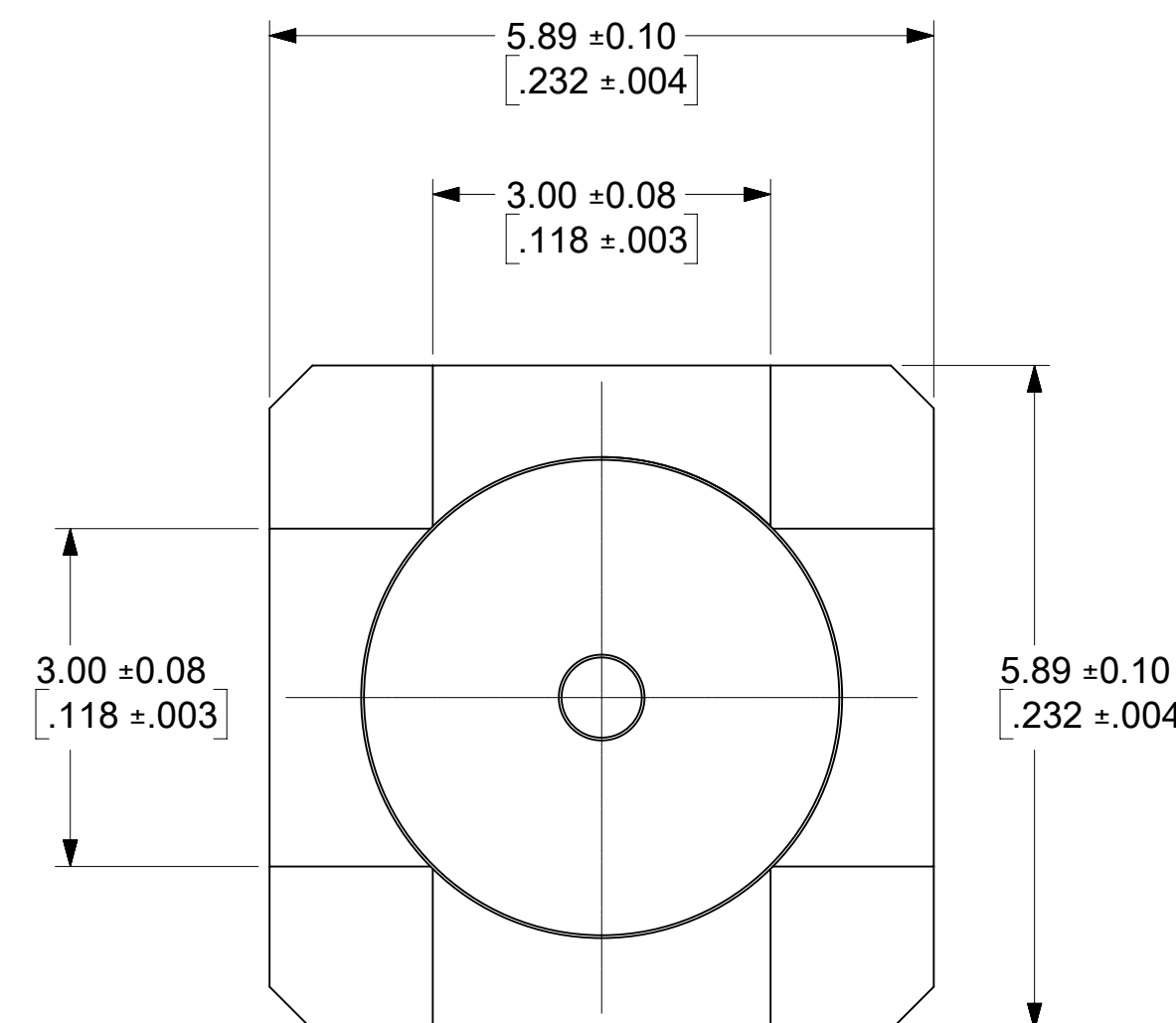
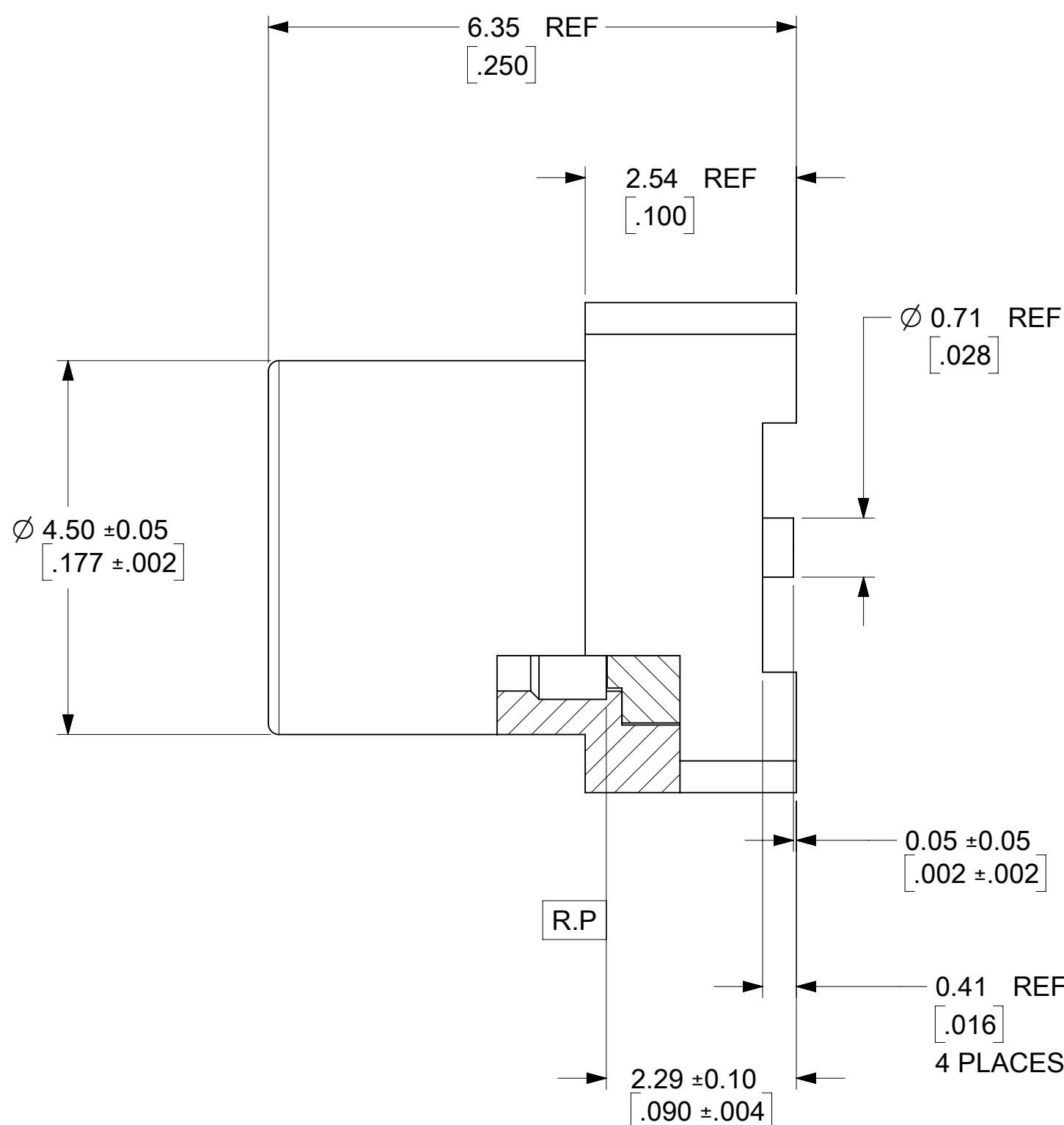
BODY: BRASS
PLATED SEE TABLE

CENTER CONTACT: BERYLLIUM COPPER
PLATED SEE TABLE

INSULATOR: PTFE



RECOMMENDED MOUNTING PATTERN



FUNCTIONAL SYMBOLS	THIS DRAWING CONTAINS INFORMATION THAT IS PROPRIETARY TO MOLEX ELECTRONIC TECHNOLOGIES, LLC AND SHOULD NOT BE USED WITHOUT WRITTEN PERMISSION													
	DIMENSION UNITS		SCALE		CURRENT REV DESC:									
$\frac{F}{A} = 0$	MM/INCH	NTS		EWR # 15426-A ADDED -1639 PART NO FOR TRAY PACKING										
$\frac{F}{C} = 0$	GENERAL TOLERANCES (UNLESS SPECIFIED)			EC NO: 720547						MCX JACK,PCB,SMT,75 OHMS MCX-J/PCB, EWR-11739				
$\frac{F}{P} = 0$				DRWN: JSU18 2022/09/08										
DIVISIONAL SYMBOLS			MM	INCH	CHK'D: YCHENG 2022/09/13						PRODUCT CUSTOMER DRAWING			
	4 PLACES	±			APPR: YCHENG 2022/09/13									
	3 PLACES	±		± 0.005	INITIAL REVISION:									
	2 PLACES	±	0.13	± 0.01	DRWN: TEF 2000/01/05						DOCUMENT NUMBER	DOC TYPE	DOC PART	REVISION
	1 PLACE	±	0.25		APPR: GMH 2000/01/05						SD-73415-163	PSD	001	A10
		ANGULAR TOL ± 2.0 °		DRAFT WHERE APPLICABLE MUST REMAIN WITHIN DIMENSIONS		THIRD ANGLE PROJECTION		DRAWING	SERIES	MATERIAL NUMBER	CUSTOMER	SHEET NUMBER		
								C-SIZE	73415	SEE TABLE		1 OF 8		

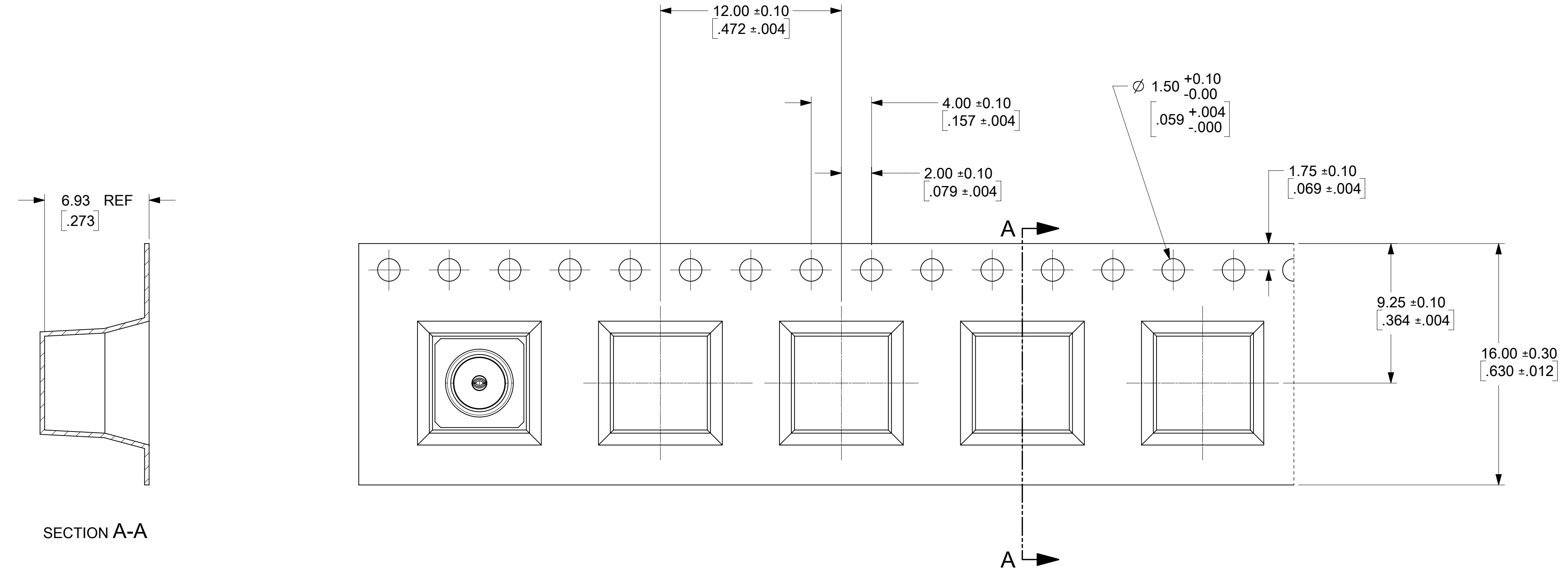
DOCUMENT STATUS	P1	RELEASE DATE	2022/09/13	10:28:02
-----------------	----	--------------	------------	----------

73415-1639	SEE TABLE	P/N 73415-1631,TRAY (DU 3200PCS)
73415-1638	SEE TABLE	TAPE AND REEL (SPQ/DU 800PCS) WITH KAPTON TAPE OF 73415-1631
73415-1637	SEE TABLE	TAPE AND REEL (SPQ 800 PCS) WITHOUT KAPTON TAPE OF 73415-1630
73415-1636	SEE TABLE	TAPE AND REEL (SPQ 800 PCS) WITH KAPTON TAPE OF 73415-1630
73415-1635	SEE TABLE	P/N 73415-1631, ONE PIECE PER BAG
73415-1634	SEE TABLE	P/N 73415-1630, ONE PIECE PER BAG
73415-1633	SEE TABLE	TAPE AND REEL (SPQ 800 PCS) WITHOUT KAPTON TAPE OF 73415-1631
73415-1632	SEE TABLE	TAPE AND REEL (SPQ 800 PCS) WITH KAPTON TAPE OF 73415-1631
73415-1631	SEE TABLE	INDIVIDUAL, 100 PCS PER BAG
73415-1630	SEE TABLE	INDIVIDUAL, 100 PCS PER BAG
PART NO.	PLATING	PACKAGING

CONTACT	GOLD (10μ-in MIN)	GOLD (30μ-in MIN)
BODY	TRI-M3 (80μ-in MIN)	GOLD (10μ-in MIN)
PART NO.	73415-1630	73415-1631

FUNCTIONAL SYMBOLS $\nabla_A = 0$ $\nabla_C = 0$ $\nabla_P = 0$ DIVISIONAL SYMBOLS	THIS DRAWING CONTAINS INFORMATION THAT IS PROPRIETARY TO MOLEX ELECTRONIC TECHNOLOGIES, LLC AND SHOULD NOT BE USED WITHOUT WRITTEN PERMISSION		
	DIMENSION UNITS	SCALE	CURRENT REV DESC:
	MM/INCH	NTS	EWR # 15426-A ADDED -1639 PART NO FOR TRAY PACKING
	GENERAL TOLERANCES (UNLESS SPECIFIED)		EC NO: 720547 DRWN: JSU18 2022/09/08 CHK'D: YCHENG 2022/09/13 APPR: YCHENG 2022/09/13
	MM	INCH	INITIAL REVISION:
4 PLACES	±	±	DRWN: DRWN BY XXXX/XX/XX APPR: APPR BY XXXX/XX/XX
3 PLACES	±	± 0.005	DOCUMENT NUMBER
2 PLACES	± 0.13	± 0.01	SD-73415-163
1 PLACE	± 0.25	±	DOC TYPE
0 PLACES	±	±	PSD
ANGULAR TOL	± 2.0 °		DOC PART
			001
DRAFT WHERE APPLICABLE MUST REMAIN WITHIN DIMENSIONS	THIRD ANGLE PROJECTION	DRAWING	REVISION
		C-SIZE	A10
		SERIES	
		73415	
		MATERIAL NUMBER	SHEET NUMBER
			2 OF 8

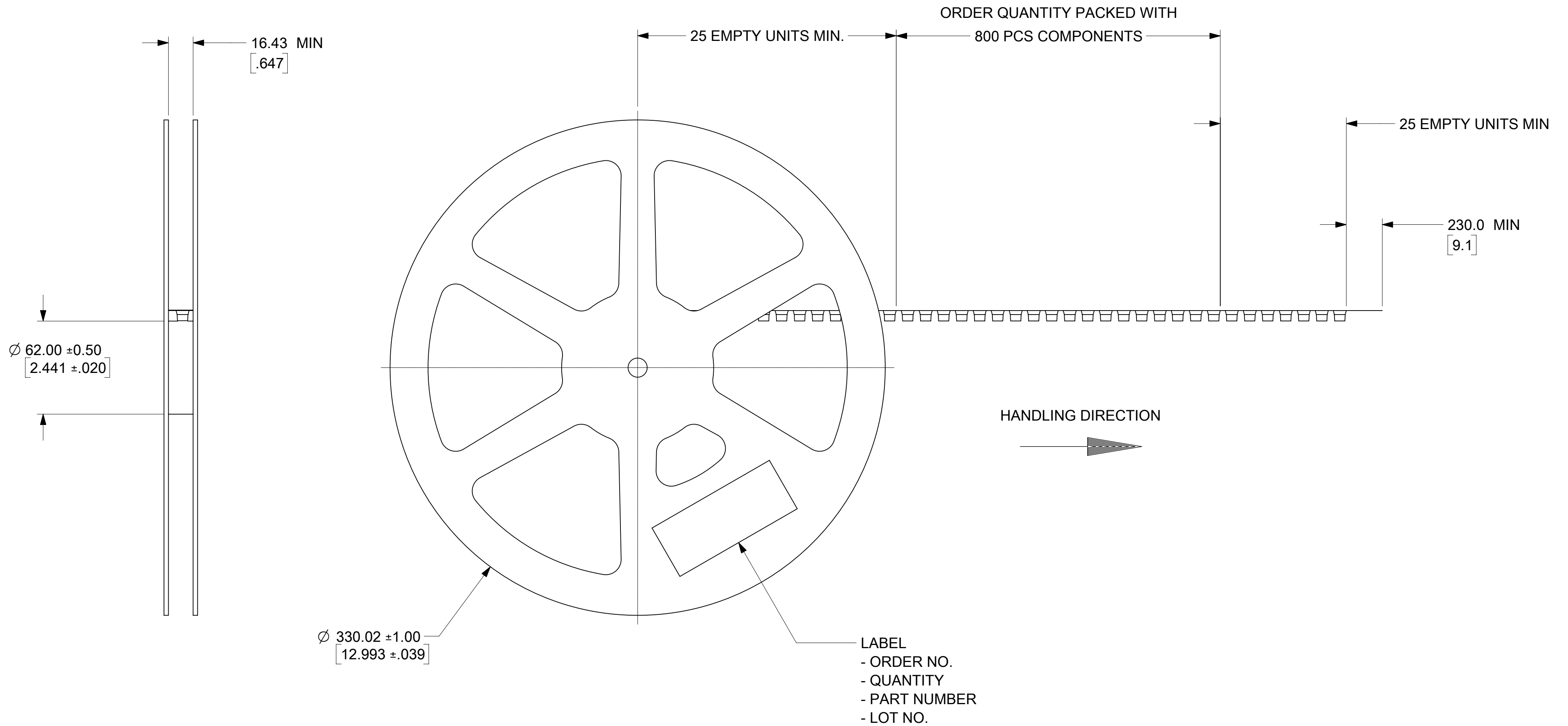
DOCUMENT STATUS	P1	RELEASE DATE	2022/09/13 10:28:02
-----------------	----	--------------	---------------------



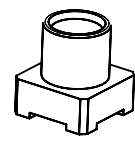
SECTION A-A

FUNCTIONAL SYMBOLS										THIS DRAWING CONTAINS INFORMATION THAT IS PROPRIETARY TO MOLEX ELECTRONIC TECHNOLOGIES, LLC AND SHOULD NOT BE USED WITHOUT WRITTEN PERMISSION									
DIMENSION UNITS					SCALE					CURRENT REV DESC:									
MM/INCH					NTS					EWR # 15426-A ADDED -1639 PART NO FOR TRAY PACKING									
GENERAL TOLERANCES (UNLESS SPECIFIED)										EC NO: 720547									
4 PLACES ±					MM					DRWN: JSU18					2022/09/08				
3 PLACES ±					± 0.005					CHK'D: YCHENG					2022/09/13				
2 PLACES ±					0.13 ± 0.01					APPR: YCHENG					2022/09/13				
1 PLACE ±					0.25 ±					INITIAL REVISION:					DOCUMENT NUMBER				
0 PLACES ±										DRWN: DRWN BY					SD-73415-163				
ANGULAR TOL ± 2.0 °										APPR: APPR BY					PSD 001 A10				
DRAFT WHERE APPLICABLE MUST REMAIN WITHIN DIMENSIONS					THIRD ANGLE PROJECTION					DRAWING					SHEET NUMBER				
					C-SIZE					73415					3 OF 8				

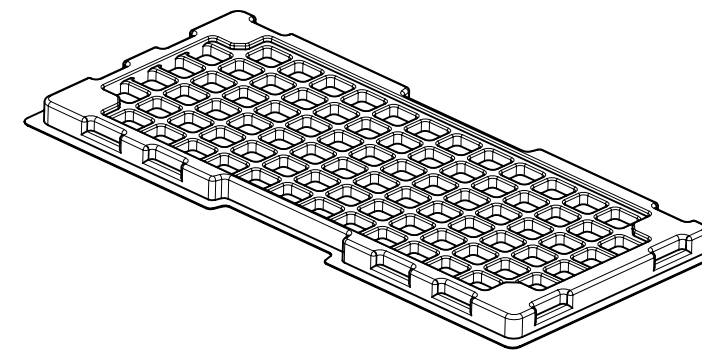
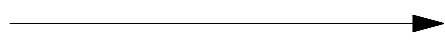
PART NO. 73415-1636
 13" REEL SIZE FOR 800 PIECES



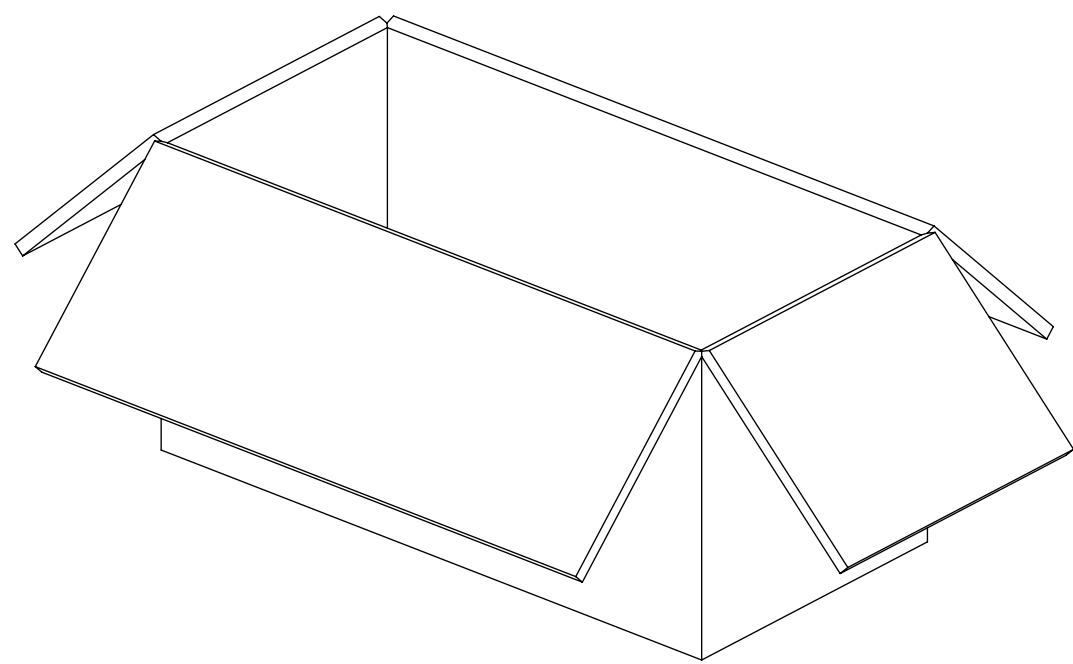
FUNCTIONAL SYMBOLS										THIS DRAWING CONTAINS INFORMATION THAT IS PROPRIETARY TO MOLEX ELECTRONIC TECHNOLOGIES, LLC AND SHOULD NOT BE USED WITHOUT WRITTEN PERMISSION									
DIMENSION UNITS					SCALE					CURRENT REV DESC:					 MCX JACK,PCB,SMT,75 OHMS MCX-J/PCB, EWR-11739 PRODUCT CUSTOMER DRAWING				
MM/INCH					NTS					EWR # 15426-A ADDED -1639 PART NO FOR TRAY PACKING									
GENERAL TOLERANCES (UNLESS SPECIFIED)										EC NO: 720547 DRWN: JSU18 CHK'D: YCHENG APPR: YCHENG									
4 PLACES ±					MM					INCH					2022/09/08				
3 PLACES ±					± 0.005										2022/09/13				
2 PLACES ±					0.13					± 0.01					2022/09/13				
1 PLACE ±					0.25					±					INITIAL REVISION:				
0 PLACES ±															DRWN: DRWN BY XXXX/XX/XX				
ANGULAR TOL ±					2.0 °										APPR: APPR BY XXXX/XX/XX				
DRAFT WHERE APPLICABLE MUST REMAIN WITHIN DIMENSIONS					THIRD ANGLE PROJECTION					DRAWING					SERIES				
										C-SIZE					73415				
DOCUMENT STATUS					P1					RELEASE DATE					2022/09/13 10:28:02				
SD-73415-163					PSD					001					A10				
MATERIAL NUMBER					CUSTOMER					SHEET NUMBER					4 OF 8				



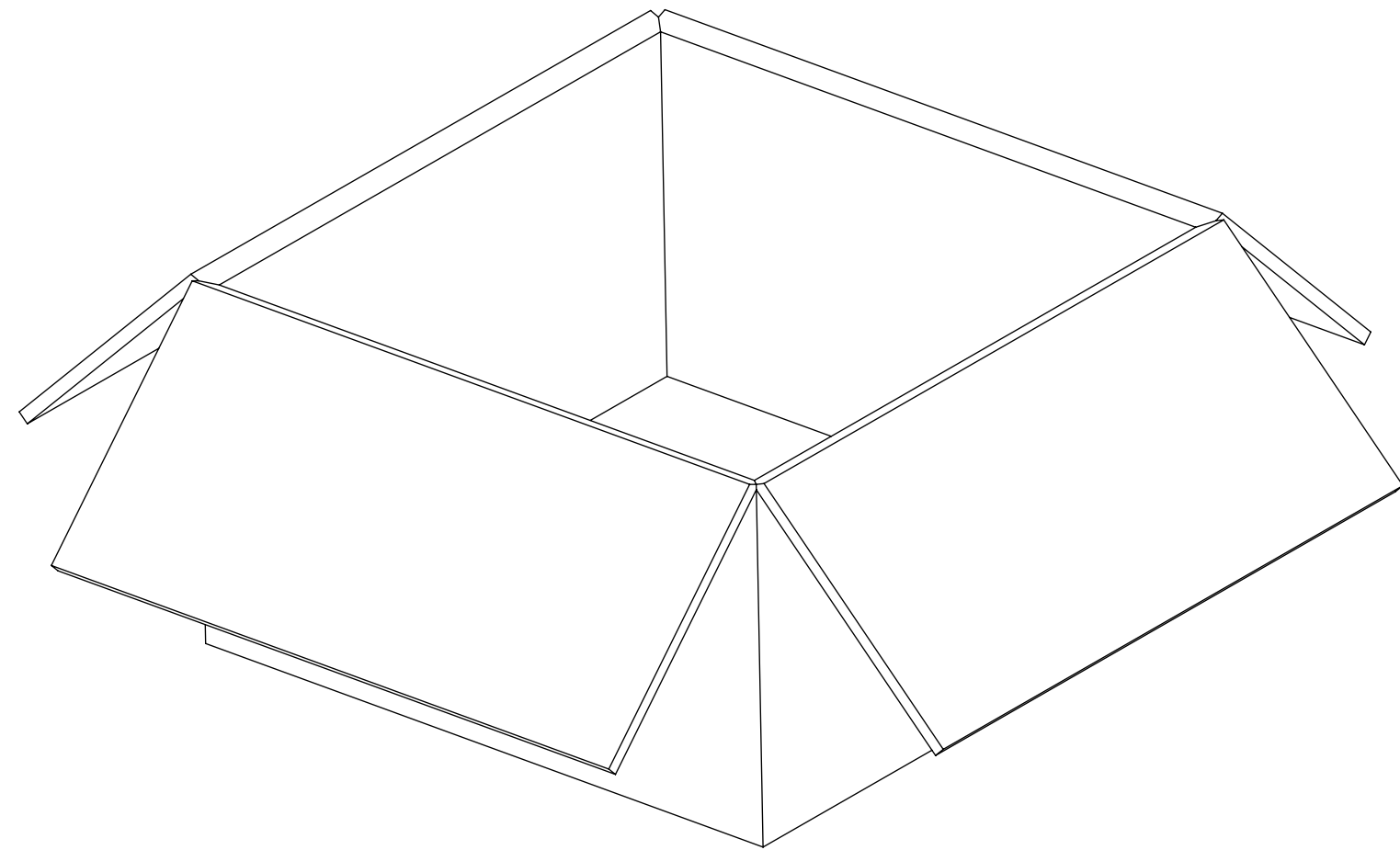
PART NO : 73415-1639



80 SET PER TRAY
P/N: 89707-0190



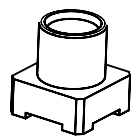
1600 SET PER INNER CARTON BOX
P/N: 96707-0001
L371mm X W184mm X D192mm



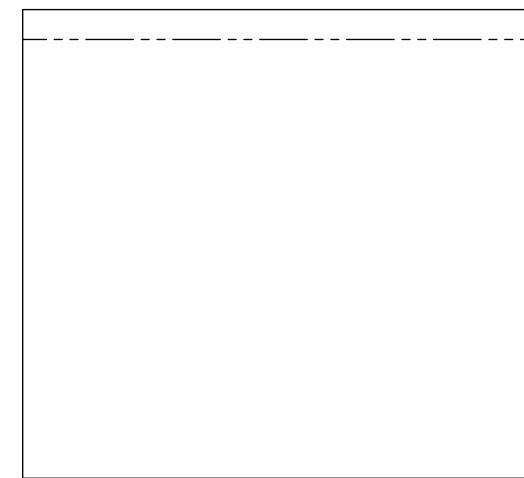
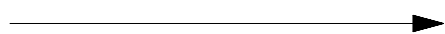
3200 SET PER OUTER CARTON BOX
P/N: 96708-0005
L394mm X W391mm X D212mm

FUNCTIONAL SYMBOLS	THIS DRAWING CONTAINS INFORMATION THAT IS PROPRIETARY TO MOLEX ELECTRONIC TECHNOLOGIES, LLC AND SHOULD NOT BE USED WITHOUT WRITTEN PERMISSION										
	DIMENSION UNITS		SCALE		CURRENT REV DESC:						
$\frac{F}{A} = 0$	MM/INCH	NTS		EWR # 15426-A ADDED -1639 PART NO FOR TRAY PACKING							
$\frac{F}{C} = 0$	GENERAL TOLERANCES (UNLESS SPECIFIED)			EC NO: 720547						MCX JACK,PCB,SMT,75 OHMS MCX-J/PCB, EWR-11739	
$\frac{F}{P} = 0$		MM	INCH	DRWN: JSU18 2022/09/08							
DIVISIONAL SYMBOLS	4 PLACES	±	±	CHK'D: YCHENG 2022/09/13						PRODUCT CUSTOMER DRAWING	
	3 PLACES	±	± 0.005	APPR: YCHENG 2022/09/13							
	2 PLACES	± 0.13	± 0.01	INITIAL REVISION:						DOCUMENT NUMBER SD-73415-163	
	1 PLACE	± 0.25	±	DRWN: DRAWN BY 0099/99/99							
0 PLACES	±	±	APPR: APPR BY 0099/99/99						MATERIAL NUMBER CUSTOMER SHEET NUMBER 5 OF 8		
	ANGULAR TOL	± 2.0 °	THIRD ANGLE PROJECTION								
	DRAFT WHERE APPLICABLE MUST REMAIN WITHIN DIMENSIONS			DRAWING		SERIES		C-SIZE		73415	

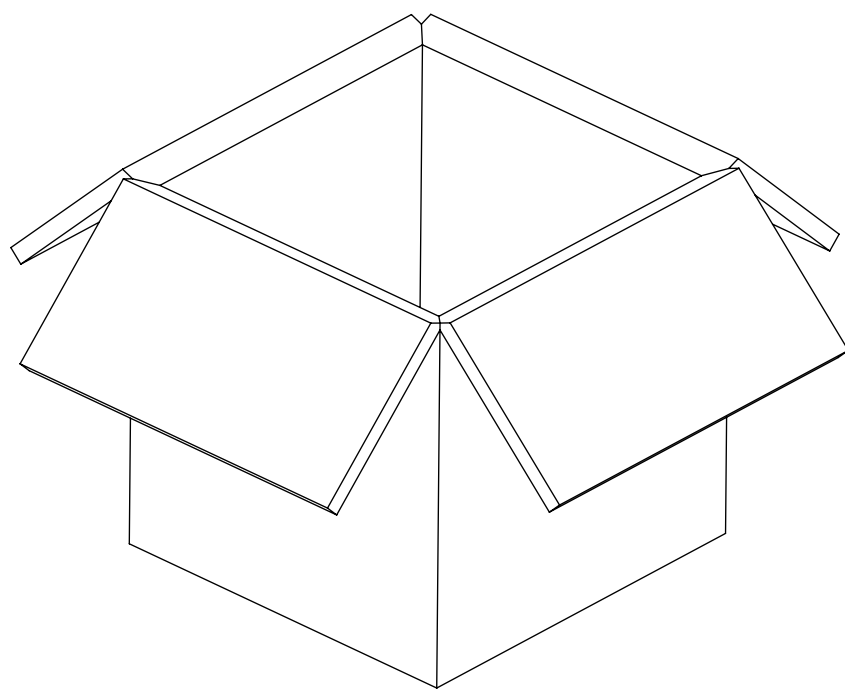
DOCUMENT STATUS	P1	RELEASE DATE	2022/09/13	10:28:02
-----------------	----	--------------	------------	----------



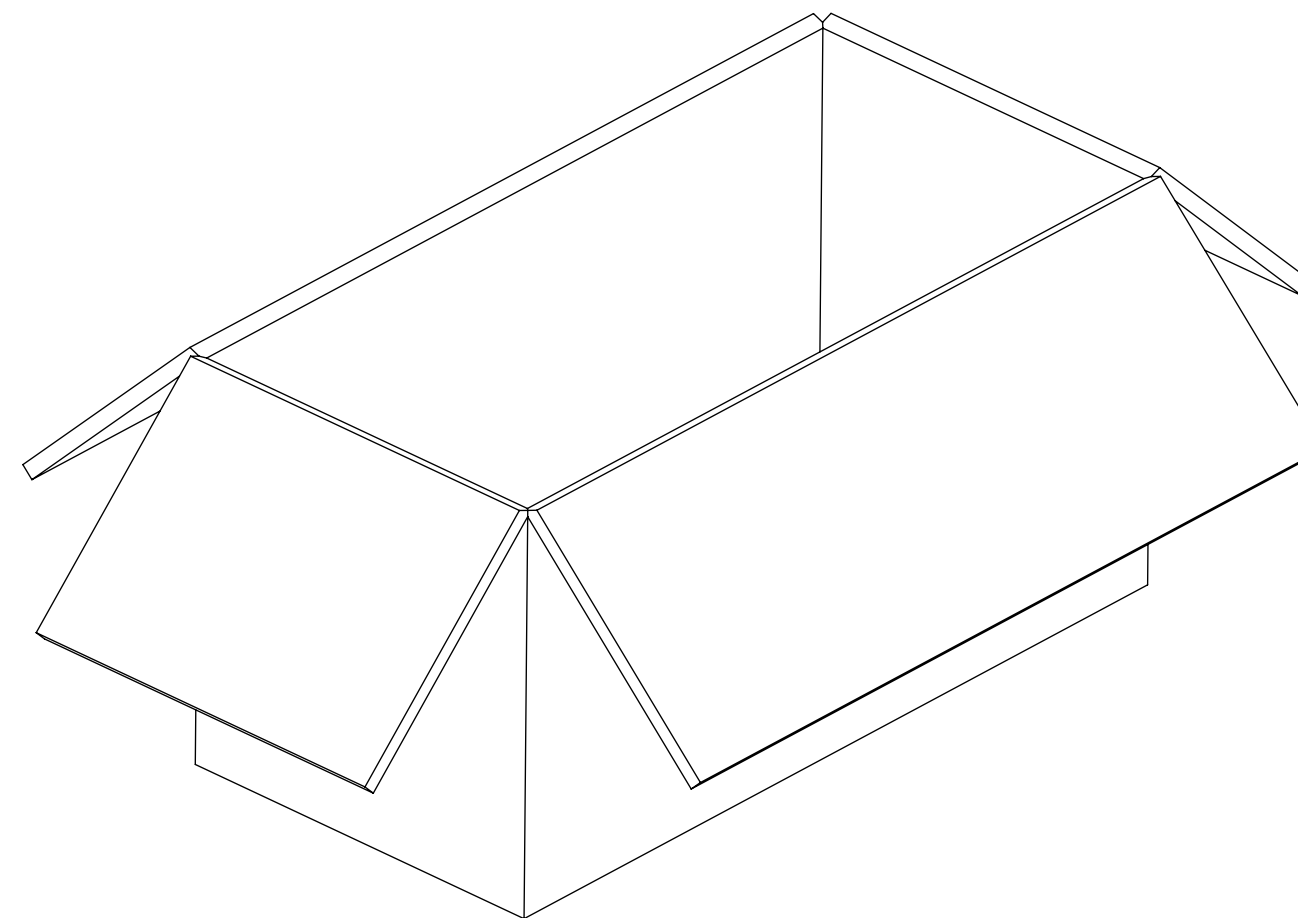
PART NO : 73415-1630
PART NO : 73415-1631



100 SETS PER POLY BAG
P/N: 89707-0001



2000 SETS PER INNER
CARTON BOX
P/N: 96707-0005
DIMENSION: 176X173X176MM



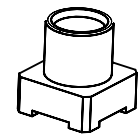
4000 SETS PER OUTER
CARTON BOX
P/N: 96707-0002
DIMENSION: 564X176X176MM

FUNCTIONAL SYMBOLS	THIS DRAWING CONTAINS INFORMATION THAT IS PROPRIETARY TO MOLEX ELECTRONIC TECHNOLOGIES, LLC AND SHOULD NOT BE USED WITHOUT WRITTEN PERMISSION						
	DIMENSION UNITS		SCALE		CURRENT REV DESC:		
$\frac{F}{A} = 0$	MM/INCH		NTS		EC NO: 720547 DRWN: JSU18 2022/09/08 CHK'D: YCHENG 2022/09/13 APPR: YCHENG 2022/09/13		
$\frac{F}{C} = 0$	GENERAL TOLERANCES (UNLESS SPECIFIED)						
DIVISIONAL SYMBOLS			MM	INCH	INITIAL REVISION: DRWN: DRAWN BY 0099/99/99 APPR: APPR BY 0099/99/99		
	4 PLACES	±					
	3 PLACES	±		± 0.005			
	2 PLACES	±	0.13	± 0.01			
	1 PLACE	±	0.25	±	DOCUMENT NUMBER: SD-73415-163 DOC TYPE: PSD DOC PART: 001 REVISION: A10		
	0 PLACES	±		±			
	ANGULAR TOL		±	2.0 °	MATERIAL NUMBER: 73415 CUSTOMER: C-SIZE SHEET NUMBER: 6 OF 8		
	DRAFT WHERE APPLICABLE MUST REMAIN WITHIN DIMENSIONS		THIRD ANGLE PROJECTION				

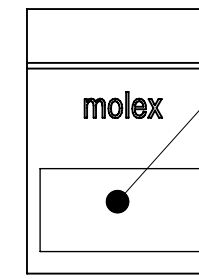
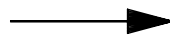
molex

MCX JACK,PCB,SMT,75 OHMS
MCX-J/PCB, EWR-11739

PRODUCT CUSTOMER DRAWING

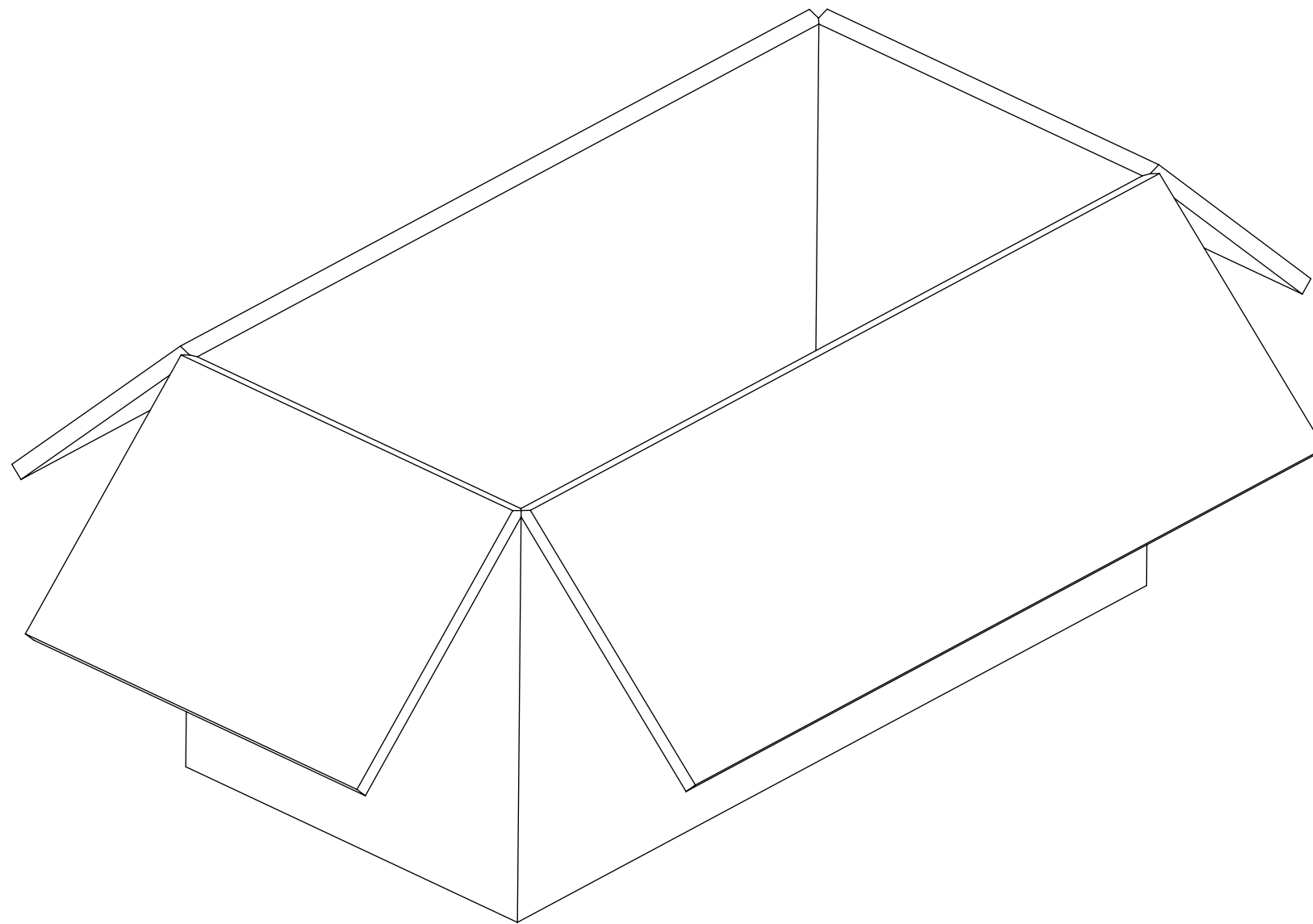


PART NO : 73415-1634

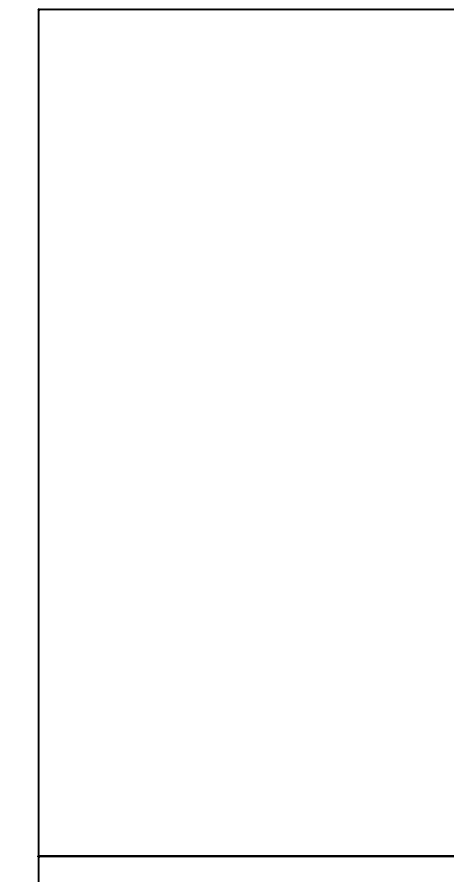
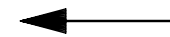


LABEL WITH EACH BAG
PART NUMBER
ORDER NUMBER
MOLEX
DATE: YYWW

ONE SET PER ZIPPER BAG
P/N: 89707-0317



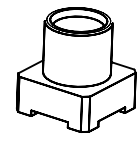
500 SETS PER CARTON BOX
P/N: 96707-0002
DIMENSION: 564X176X176MM



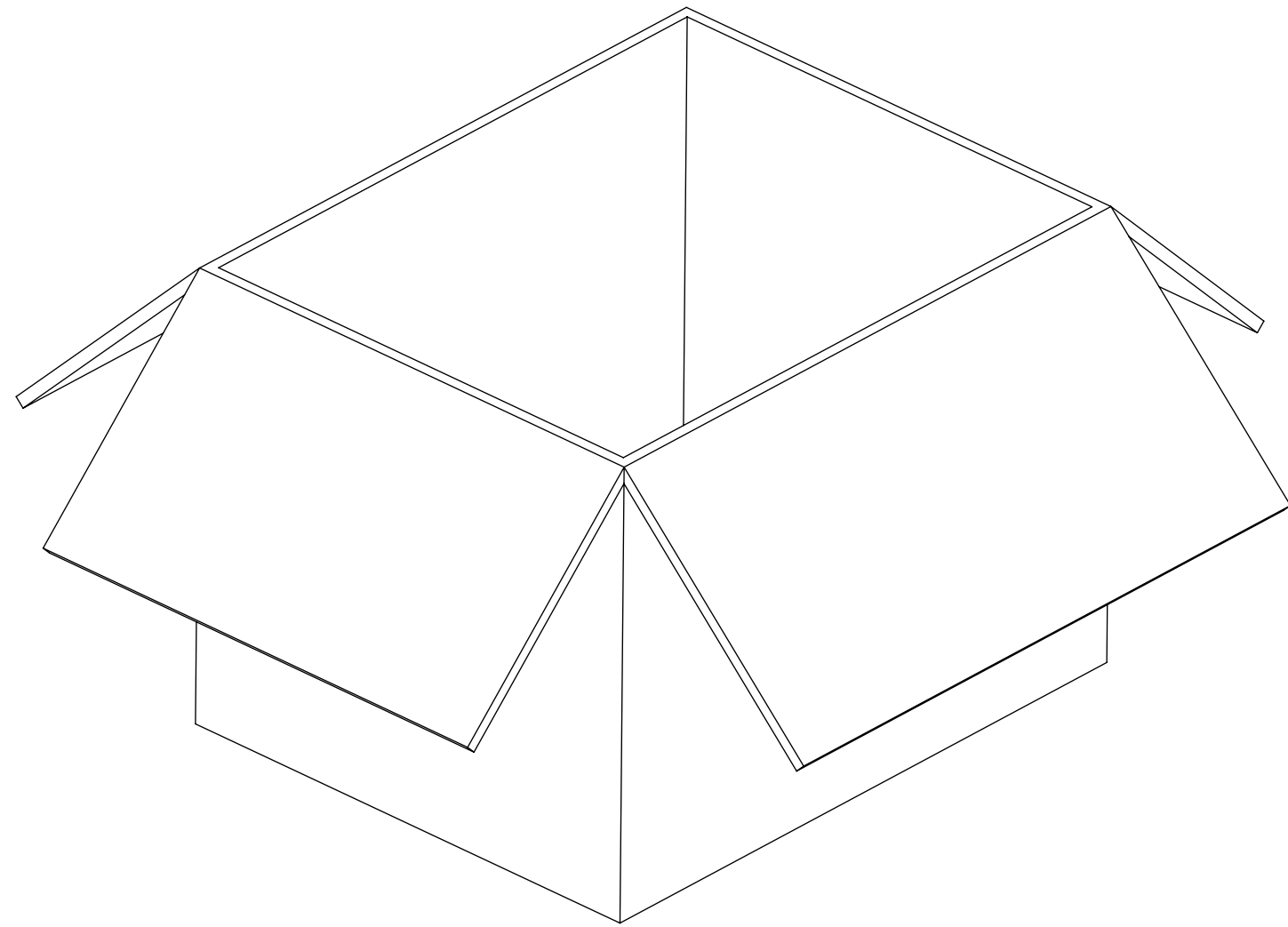
50 SETS PER BAG
P/N: 89707-0174

FUNCTIONAL SYMBOLS	THIS DRAWING CONTAINS INFORMATION THAT IS PROPRIETARY TO MOLEX ELECTRONIC TECHNOLOGIES, LLC AND SHOULD NOT BE USED WITHOUT WRITTEN PERMISSION														
	DIMENSION UNITS		SCALE		CURRENT REV DESC:						molex				
$\frac{F}{A} = 0$	MM/INCH	NTS		EWR # 15426-A ADDED -1639 PART NO FOR TRAY PACKING											
$\frac{F}{C} = 0$	GENERAL TOLERANCES (UNLESS SPECIFIED)				EC NO: 720547						MCX JACK,PCB,SMT,75 OHMS MCX-J/PCB, EWR-11739				
$\frac{F}{P} = 0$	4 PLACES		±	±	DRWN: JSU18 2022/09/08										
DIVISIONAL SYMBOLS	3 PLACES		±	± 0.005	CHK'D: YCHENG 2022/09/13						PRODUCT CUSTOMER DRAWING				
	2 PLACES		± 0.13	± 0.01	APPR: YCHENG 2022/09/13										
	1 PLACE		± 0.25	±	INITIAL REVISION:						DOCUMENT NUMBER SD-73415-163				
	0 PLACES		±	±	DRWN: DRAWN BY 0099/99/99								DOC TYPE	DOC PART	REVISION
ANGULAR TOL ± 2.0 °				THIRD ANGLE PROJECTION		DRAWING		SERIES		MATERIAL NUMBER		CUSTOMER		SHEET NUMBER	
DRAFT WHERE APPLICABLE MUST REMAIN WITHIN DIMENSIONS						C-SIZE		73415						7 OF 8	

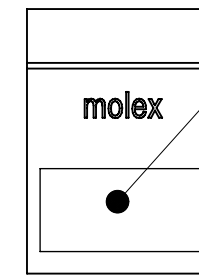
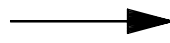
DOCUMENT STATUS	P1	RELEASE DATE	2022/09/13	10:28:02
-----------------	----	--------------	------------	----------



PART NO : 73415-1635

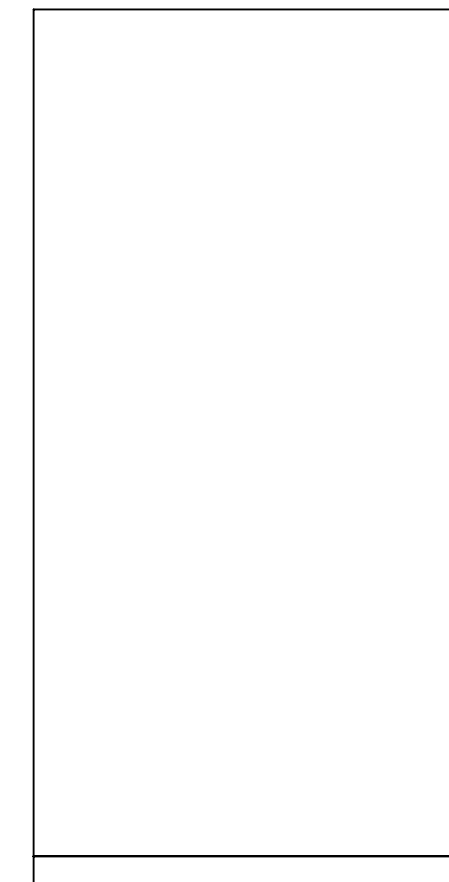


500 SETS PER CARTON BOX
P/N: 89499-9027
DIMENSION: 267X215X260MM



LABEL WITH EACH BAG
PART NUMBER
ORDER NUMBER
MOLEX
DATE: YYWW

ONE SET PER ZIPPER BAG
P/N: 89707-0317



50 SETS PER BAG
P/N: 89707-0174



FUNCTIONAL SYMBOLS	THIS DRAWING CONTAINS INFORMATION THAT IS PROPRIETARY TO MOLEX ELECTRONIC TECHNOLOGIES, LLC AND SHOULD NOT BE USED WITHOUT WRITTEN PERMISSION														
	DIMENSION UNITS		SCALE		CURRENT REV DESC:				molex						
$\frac{F}{A} = 0$	MM/INCH	NTS		EWR # 15426-A ADDED -1639 PART NO FOR TRAY PACKING											
$\frac{F}{C} = 0$	GENERAL TOLERANCES (UNLESS SPECIFIED)			EC NO: 720547				MCX JACK,PCB,SMT,75 OHMS MCX-J/PCB, EWR-11739							
$\frac{F}{P} = 0$		MM	INCH	DRWN: JSU18 2022/09/08											
DIVISIONAL SYMBOLS	4 PLACES	±	±	CHK'D: YCHENG 2022/09/13				PRODUCT CUSTOMER DRAWING							
	3 PLACES	±	± 0.005	APPR: YCHENG 2022/09/13											
	2 PLACES	± 0.13	± 0.01	INITIAL REVISION:				DOCUMENT NUMBER SD-73415-163							
	1 PLACE	± 0.25	±	DRWN: DRAWN BY 0099/99/99											
0 PLACES	±	±	APPR: APPR BY 0099/99/99				DOC TYPE PSD								
ANGULAR TOL		± 2.0 °		THIRD ANGLE PROJECTION		DRAWING		SERIES		MATERIAL NUMBER		CUSTOMER		SHEET NUMBER	
DRAFT WHERE APPLICABLE MUST REMAIN WITHIN DIMENSIONS						C-SIZE		73415						8 OF 8	