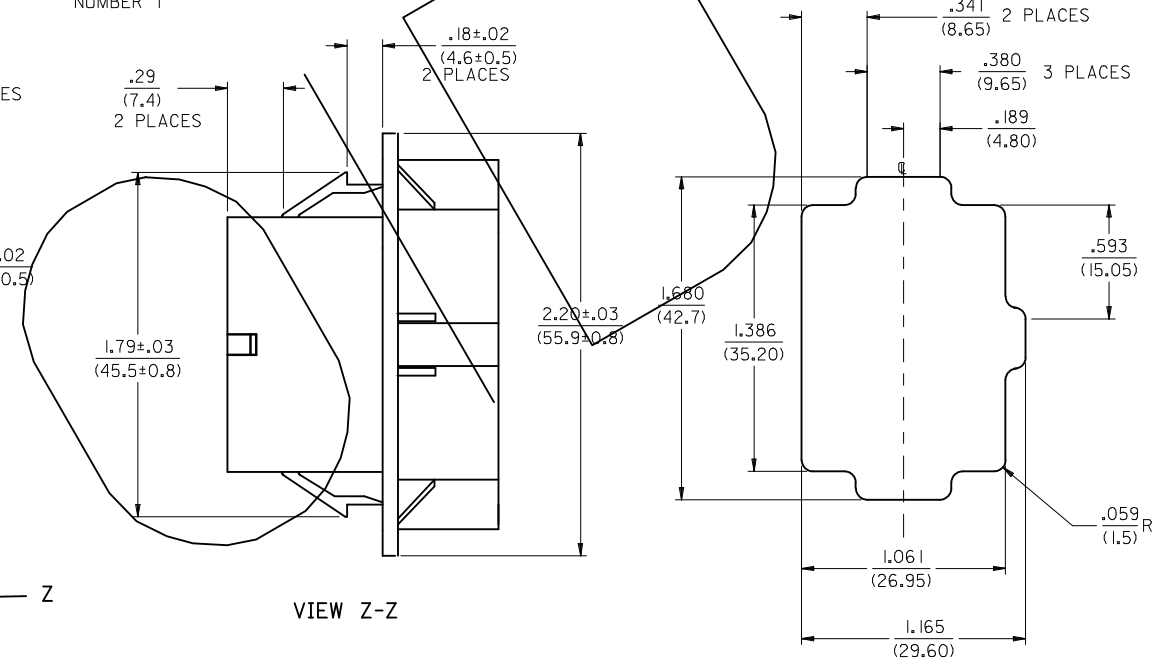
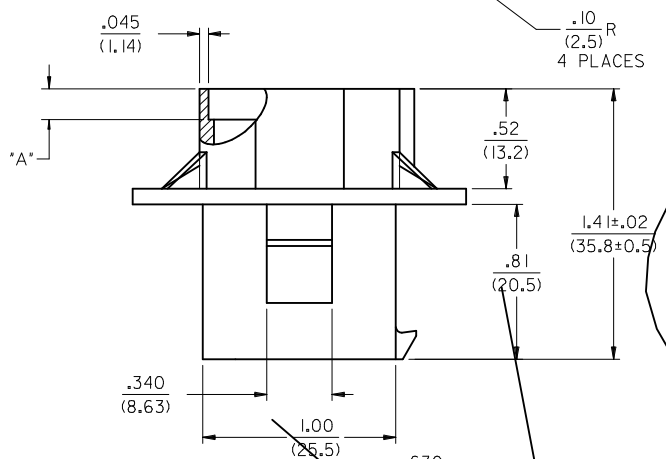
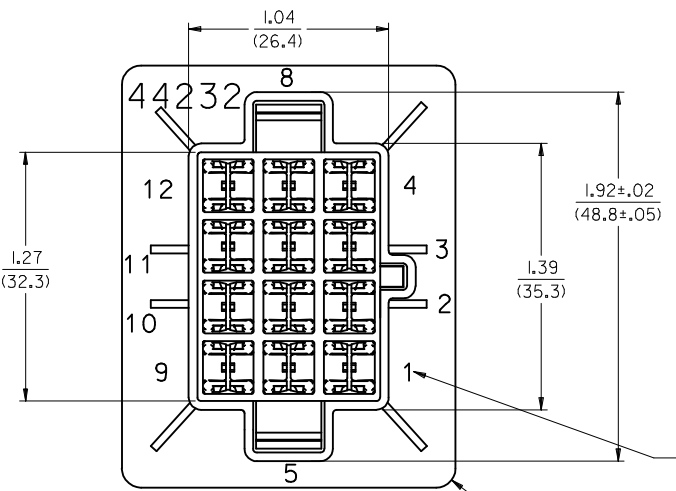
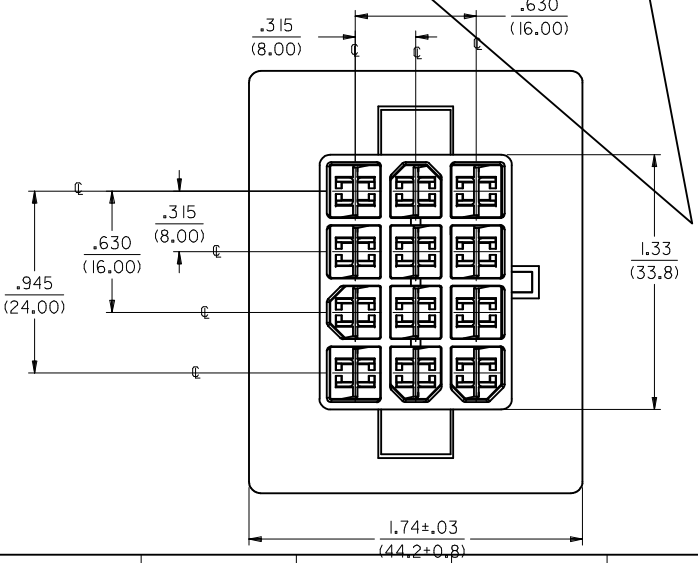


| | | | | | |
|--------------|----------|---------|--------------|-------------|----------|
| 44232-0004 | NYLON | BLACK | UL 94 V-2 | .075/(1.90) | TOOLED |
| 44232-0003 | NYLON | NATURAL | UL 94 V-2 | .075/(1.90) | TOOLED |
| 44232-0002 | NYLON | BLACK | UL 94 V-2 | .160/(4.1) | OBSOLETE |
| 44232-0001 | NYLON | NATURAL | UL 94 V-2 | .160/(4.1) | OBSOLETE |
| MATERIAL NO. | MATERIAL | COLOR | FLAMMABILITY | DIM "A" | OBS. |

NOTE:
 1. MATERIAL: NYLON, UL94V-2, COLOR: (SEE CHART).
 2. FINISH: NONE.
 3. PRODUCT SPECIFICATION: NONE.
 4. PACKAGING SPECIFICATION: PK-44232-001.
 5. MATES WITH RECEPTACLE HOUSING PER DRAWING SD-44234-001.
 6. PARTS CONFORM TO CLASS 'B' REQUIREMENTS OF COSMETIC SPECIFICATION PS-45499-002.



SUGGESTED PANEL CUTOUT



| VOID DWG EC NO: UCP2016-0620 DRW: J.MONTI 2015/08/07 CHK: D.BANDERSON 2015/08/07 APPR: F.SMITH 2015/08/13 | QUALITY SYMBOLS ▽=0 ▽=0 | GENERAL TOLERANCES (UNLESS SPECIFIED) <table border="1"> <tr> <th></th> <th>mm</th> <th>INCH</th> </tr> <tr> <td>4 PLACES</td> <td>± .005</td> <td>± .0005</td> </tr> <tr> <td>3 PLACES</td> <td>± .005</td> <td>± .0005</td> </tr> <tr> <td>2 PLACES</td> <td>± .013</td> <td>± .0010</td> </tr> <tr> <td>1 PLACE</td> <td>± 0.25</td> <td>± .0100</td> </tr> </table> | | mm | INCH | 4 PLACES | ± .005 | ± .0005 | 3 PLACES | ± .005 | ± .0005 | 2 PLACES | ± .013 | ± .0010 | 1 PLACE | ± 0.25 | ± .0100 | DIMENSION STYLE IN/MM | SCALE 2:1 | DESIGN UNITS INCH | THIRD ANGLE PROJECTION |
|--|----------------------------------|--|-------------------------------------|---|--------------------|----------------------------|--------|---------|----------|--------|---------|----------|--------|---------|---------|--------|---------|---------------------------------|---------------------|-----------------------------|------------------------|
| | | mm | INCH | | | | | | | | | | | | | | | | | | |
| | 4 PLACES | ± .005 | ± .0005 | | | | | | | | | | | | | | | | | | |
| | 3 PLACES | ± .005 | ± .0005 | | | | | | | | | | | | | | | | | | |
| 2 PLACES | ± .013 | ± .0010 | | | | | | | | | | | | | | | | | | | |
| 1 PLACE | ± 0.25 | ± .0100 | | | | | | | | | | | | | | | | | | | |
| DRAFT WHERE APPLICABLE MUST REMAIN WITHIN DIMENSIONS | MATERIAL NO. SEE TABLE | DRAWN BY H.QIAO | DATE 09/27/99 | TITLE 12 CIRCUIT F.I.C. PLUG HOUSING .125/(3.18) X .020/(0.5)FBS-TPA | MOLEX INCORPORATED | SHEET NO. 1 OF 1 | | | | | | | | | | | | | | | |
| MATERIAL NO. SEE TABLE | APPROVED BY R.EDGLEY | DATE 10/15/99 | DOCUMENT NO. SD-44232-001 | THIS DRAWING CONTAINS INFORMATION THAT IS PROPRIETARY TO MOLEX INCORPORATED AND SHOULD NOT BE USED WITHOUT WRITTEN PERMISSION | | | | | | | | | | | | | | | | | |