

WIRE COMBINATIONS FOR NYLON-INSUALTED CLOSED END CONNECTORS

MOLEX P/N: 191600009 (NC-2212), 191600129 (NC-2212BULK)
191600071 (NC-2212T), 191600109 (NC-2212BT)

UL LISTED & CSA CERTIFIED WIRE COMBINATIONS
SOLID OR STRANDED, COPPER WIRE ONLY

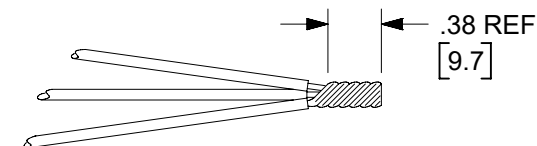
	14 AWG	16 AWG	18 AWG	20 AWG	22 AWG
(D1) ▽	1	1			
	1		1		
	1		2		
	1		1	1	
	1		1	2	
	1		1		1
	1		1		2
	1		1		3
	1			1	
	1			2	
	1			3	
	1				1
		3			
		2			
▽		2	1		
		2	2		
		2		1	
		2		2	
		2			1
		2			2
		2			3
		2	1	1	
		2	1		1
		2		1	1
		1		1	2
		1	1		
		1	2		
		1	3		
		1		1	
		1		2	
		1		3	
		1		4	
		1			1
		1			2
		1			3
		1			4
		1			5

	16 AWG	18 AWG	20 AWG	22 AWG
	1	2	1	
	1	2		1
	1	2		2
	1	1	1	1
	1	1	2	1
	1	1	1	2
▽**		5		
		4		
		4	1	
		4		1
		3		
		3	2	
		3		1
		3		2
		3		3
		3	1	1
		2		
		2	1	
		2	2	
		2	3	
		2		1
		2		2
		2		3
		2		4
		2		5
		2	1	1
		2	1	2
		2	1	3
		2	2	1
		2	3	1
		2	1	2
		2	1	3
		1	1	
		1	2	
		1	3	
		1	4	
		1	5	
		1		1
		1		2
		1		3
		1		4

	14 AWG	16 AWG	18 AWG	20 AWG	22 AWG
			1	1	2
			1	1	3
			1	1	4
			1	2	2
			1	2	3
			1	3	2
				6	
				5	
				5	1
				4	
				4	1
				4	2
				3	
				3	1
				3	2
				3	3
				2	
				2	1
				2	2
				2	3
				2	4
				1	1
				1	2
				1	3
				1	4
				1	5
					6
					5
					4
					3
*	1				2
*	1				3
*	1				4
*	1		1	1	1

WIRE PREPARATION

NOTE: PRE-TWISTING NOT REQD FOR OEM APPLICATIONS
SOLID: (OEM ONLY)
A. STRIP LEADS TO .38(9.5)
B. INSERT INTO CONNECTOR & CRIMP
STRANDED:
A. STRIP LEADS TO APROX. .75(19.1)
B. TWIST WIRE COMBINATION EVENLY & TIGHT.
C. TRIM STRIPPED PRE-TWISTED ZONE TO .38(9.5).
D. INSERT INTO CONNECTOR AND CRIMP.



RATING 105°C 600 VOLT
(1000 VOLT IN SIGNS OR FIXTURES)
FILE: E32244



RATING 105°C 600 VOLT
(1000 VOLT IN SIGNS OR FIXTURES)
FILE: LR 18689
* 125°C FOR PRE-TWISTED WIRE ONLY

APPLICATION WITH HANDTOOL:

HOLD TOOL WITH LOCATOR PLATE FACING UP.
INSERT CLOSED END CONNECTOR IN HOLE.
INSURE THAT SHOULDER OF CONNECTOR IS RESTING ON LOCATOR PLATE.
CLOSE TOOL JAWS UNTIL CONNECTOR IS HELD SNUG IN PLACE.
LOAD CONNECTOR WITH DESIRED WIRE COMBINATION.
COMPLETE CRIMP BY CLOSING TOOL HANDLES UNTIL THEY RELEASE.

CRIMP TOOLING AVAILABLE

192280030 (ATP-301) AIR TAPE PRESS OR
638853500 MINI-MAC TAPE APPLICATOR WITH
192880239 (ATP-NC-2212) CRIMPING DIES

(D1)

640010900 (RHT-7050) HANDTOOL
640050900 (AT-7050) CRIMP HEAD OR 640053600 (AT-2212) CRIMP HEAD
FOR 192790001 (AT-200) AIR HAND TOOL

* - CSA CERTIFIED ONLY

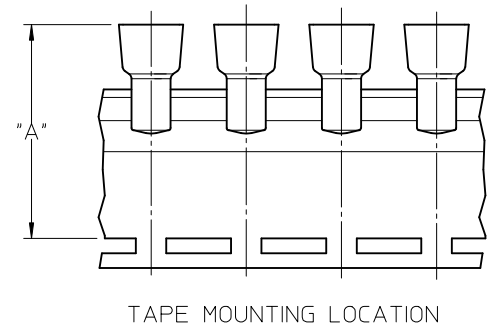
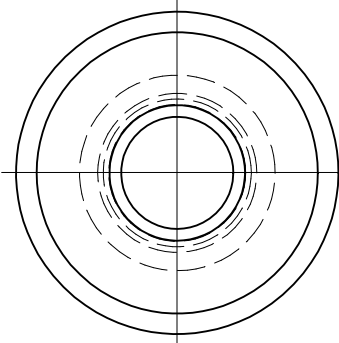
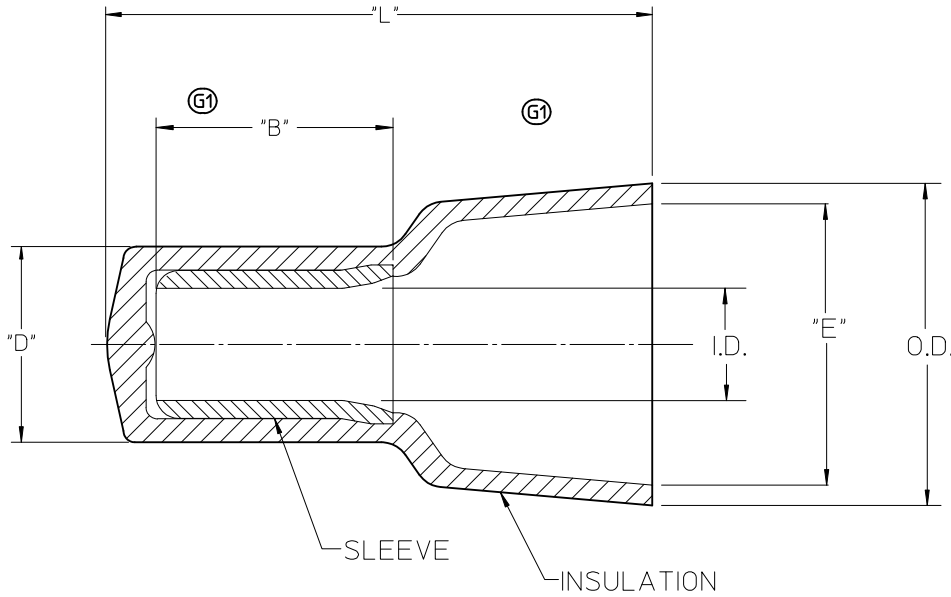
** - UL LISTED ONLY

▽ - STRANDED WIRE ONLY

NOTE: THIS DOCUMENT USED TO MAKE STUFFER SHEET
PART NO: 194080109
DOC NO'S: E-19160-009 & PK-19408-109

FUNCTIONAL SYMBOLS	THIS DRAWING CONTAINS INFORMATION THAT IS PROPRIETARY TO MOLEX ELECTRONIC TECHNOLOGIES, LLC AND SHOULD NOT BE USED WITHOUT WRITTEN PERMISSION										
	DIMENSION UNITS		SCALE		CURRENT REV DESC: WIRE COMBO: (1) 14 AWG + (1) 16 AWG "STRANDED" ONLY WAS "STRANDED OR SOLID". CRIMP TOOLING P/N'S UPDATED.						
	INCH/MM		NTS								
	GENERAL TOLERANCES (UNLESS SPECIFIED)								EC NO: 704038 DRWN: DMYRICK 2022/04/07 CHKD: JMACNEIL 2022/05/04 APPR: JMACNEIL 2022/05/04 INITIAL REVISION: DRWN: APPR:		
DIVISIONAL SYMBOLS								PRODUCT CUSTOMER DRAWING			
								DOCUMENT NUMBER			
								PS-19160-006			
								PSD 001 D1			
								SHEET NUMBER			
								1 OF 1			

LOOSE PIECE		TAPE MOUNTED		"L" MAX.	"B" MIN (G1)	"D" MAX.	"E" MIN.	I.D. MIN.	O.D. MAX.	"A" DIM ±.02/0.5 (G1)
MATERIAL NO.	ENG. NO.	MATERIAL NO.	ENG. NO.							
191600012	NC-2214	191600070	NC-2214T	.62/15.7	.30/7.6	.19/4.8	.24/6.1	.09/2.3	.32/8.1	1.54/39.2
191600009	NC-2212	191600071	NC-2212T	.76/19.3	.30/7.6	.23/5.8	.27/6.9	.10/2.5	.36/9.1	1.63/41.4
191600002	NC-1610	191600083	NC-1610T	.90/22.8	.28/7.1	.28/7.1	.38/9.6	.15/3.8	.45/11.4	1.75/44.5
191600024	NC-8	191600028	NC-8T	1.10/27.9	.42/10.6	.36/9.1	.48/12.2	.21/5.3	.57/14.5	1.86/47.4



NOTES:

- MATERIAL: SLEEVE: TIN-PLATED COPPER
INSULATION: 6/6 NYLON,
NATURAL TRANSLUCENT
- PARTS ARE ROHS COMPLIANT.

SALES DRAWING

CORRECT TOLERANCES EC NO: WNA2010-0673 DRAWN BY: DRW/ETHRODAHL 2010/05/07 CHKDR: DEROSS 04/02/23 APPR: JMAGNEIL 2010/06/23	QUALITY SYMBOLS ▽=0 ▽=0	GENERAL TOLERANCES (UNLESS SPECIFIED)		DIMENSION STYLE		SCALE	DESIGN UNITS	THIRD ANGLE PROJECTION			
				IN/MM		5:1	INCH				
				mm	INCH	DRAWN BY	DATE	TITLE			
				4 PLACES ± --- ± ---	3 PLACES ± --- ± ---	H. BEITZE	04/02/23	CLOSED END CONNECTORS NYLON INSULATED			
		2 PLACES ± --- ± ---	1 PLACE ± --- ± ---	CHCKDR: DEROSS	04/02/23	MOLEX INCORPORATED					
		ANGULAR ± ---°		APPROVED BY	DATE					DOCUMENT NO.	
		DRAFT WHERE APPLICABLE MUST REMAIN WITHIN DIMENSIONS		SEE CHART		SD-19160-001		1 OF 1			
				MATERIAL NO.				THIS DRAWING CONTAINS INFORMATION THAT IS PROPRIETARY TO MOLEX INCORPORATED AND SHOULD NOT BE USED WITHOUT WRITTEN PERMISSION			
				SIZE							
				B							