

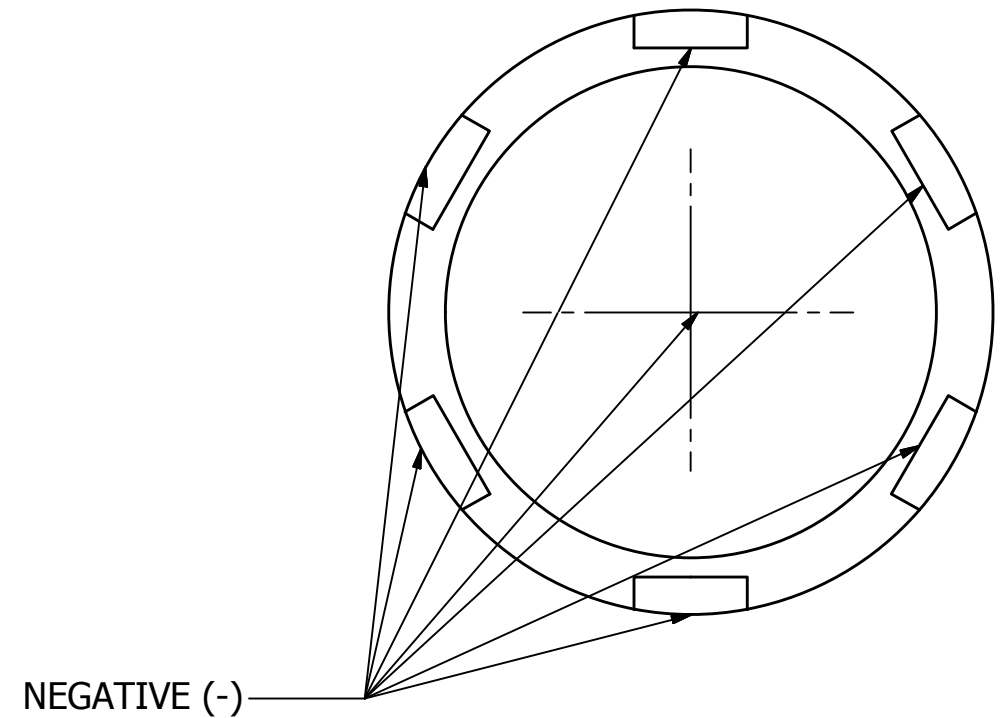
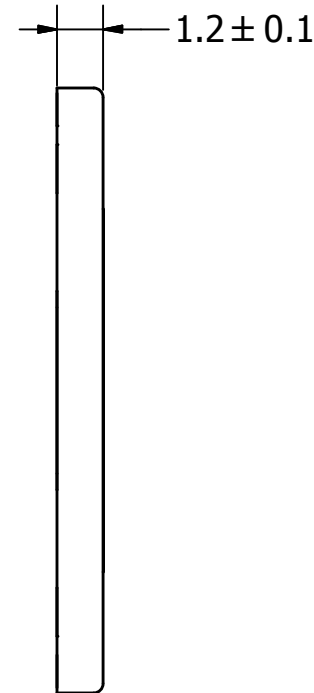
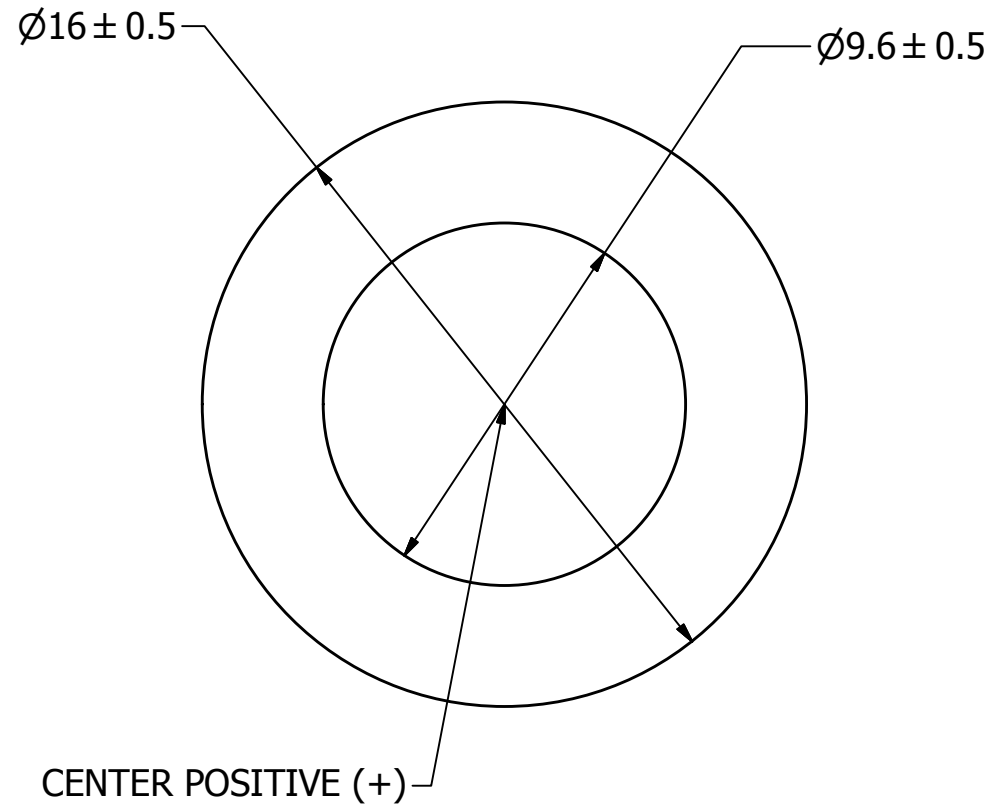
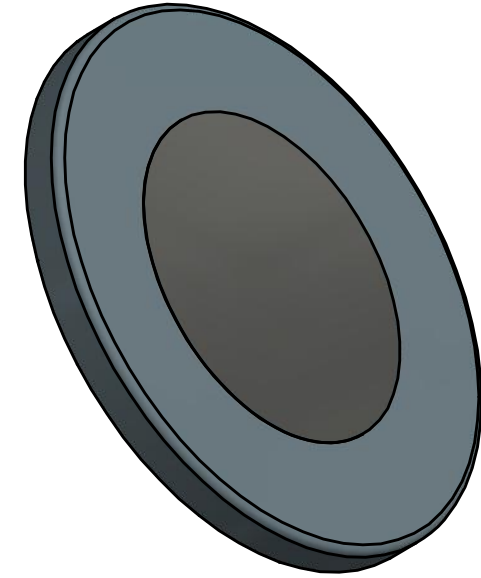
# SPECIFICATIONS

PARAMETERS	VALUES	UNITS
RESONANT FREQUENCY	1.70±0.05	MHz
RESONANT IMPEDANCE (MAX)	≤2	Ohm
MAX INPUT VOLTAGE	100	Vp-p
CAPACITANCE @ 1kHz	1,300 ±20%	pF
ELECTROMECHANICAL COUPLING COEFFICIENT	≥0.45	-
OPERATING TEMPERATURE	+10 ~ +50	°C
STORAGE TEMPERATURE	+10 ~ +50	°C

THIS DOCUMENT CONTAINS DATA PROPRIETARY TO PROJECTS UNLIMITED, INC. ANY USE OR REPRODUCTION, IN ANY FORM, WITHOUT PRIOR WRITTEN PERMISSION OF PROJECTS UNLIMITED, INC. IS PROHIBITED.  
©2003, Projects Unlimited Inc.

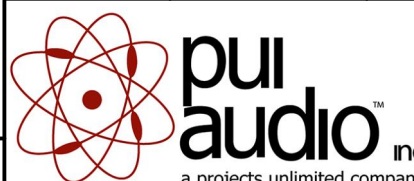
# REVISION HISTORY

LTR	DESCRIPTION	DATE	APPROVED
-	RELEASED FROM ENGINEERING	6/1/2016	
A	REVISED CAPACITANCE RATING	6/1/2017	M.V.



## NOTES:

1. ALL DIMENSIONS ARE IN MILLIMETERS.
2. SPECIFICATIONS SUBJECT TO CHANGE OR WITHDRAWL WITHOUT NOTICE.
3. THIS PART IS RoHS 2011/65/EU COMPLIANT.

UNLESS OTHERWISE SPECIFIED: DIMENSIONS ARE IN MILLIMETERS, TOLERANCES ARE ±0.5 AND ANGLES ARE ±3°.	SIZE <b>A3</b>	Designed by	Date	Checked by	Date	Approved by	Date	Drawn Date	
		M.V.	6/1/2016	M.V.	6/1/2016	B.R.	6/1/2016	6/1/2016	
UB161M7.idw				<b>UB161M7</b>					
		<b>Ultrasonic Bender</b>				Edition		Sheet	
						-		1 / 1	