

CN4 : 6227 SERIES (ELCO)

CN1 PIN ASSIGNMENT

No.	SYMBOL
1	GND
2	DCLK
3	HD
4	VD
5	GND
6	R0
7	R1
8	R2
9	R3
10	R4
11	R5
12	GND
13	G0
14	G1
15	G2
16	G3
17	G4
18	G5
19	GND
20	B0
21	B1
22	B2
23	B3
24	B4
25	B5
26	GND
27	DENA
28	VCC
29	VCC
30	TEST
31	REV

CN2 PIN ASSIGNMENT

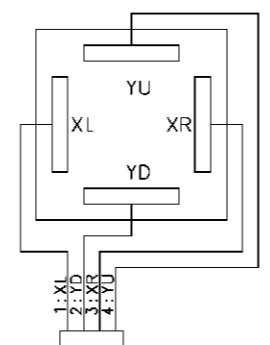
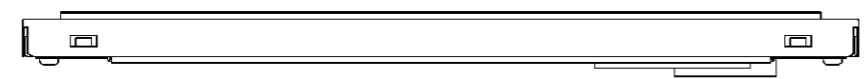
No.	SYMBOL
1	ANODE-1 (RED)
2	ANODE-2 (RED)
3	NC
4	NC
5	CATHODE-1 (BLACK)
6	CATHODE-2 (BLACK)

CN3 PIN ASSIGNMENT

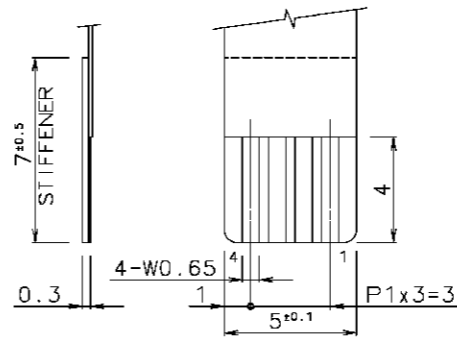
No.	SYMBOL
7	ANODE-3 (RED)
8	ANODE-4 (RED)
9	NC
10	NC
11	CATHODE-3 (BLACK)
12	CATHODE-4 (BLACK)

CN4 PIN ASSIGNMENT

NO	SYMBOL	NO	SYMBOL
1	XL	3	XR
2	YD	4	YU



TTS CIRCUIT DIAGRAM



DETAIL CN4 (S=5:1)

MEASURE	TOLERANCE		
	A	B	C
L≤16	±0.1	±0.3	±1
16<L≤63	±0.2	±0.5	±1.5
63<L≤250	±0.3	±0.8	±2
250<L≤500	±0.5	±1.2	±3
500<L	±0.8	±2	±4
ANGLE	±1°	±5°	±10°

NOTES

- 1) THE DIMENSIONS WITH THE MARK (●) ARE CONTROLLED AS A PARTICULAR CHARACTERISTIC.
- 2) DON'T USE MATERIAL WHICH ARE PROHIBITED BY RoHS.

MATERIAL:		FINISH:	
DATE 2008/08/25	THIRD ANGLE PROJECTION	OPTREX CORPORATION	
APPROVED Noboru Wada	SCALE UNIT	TITLE DIMENSIONAL OUTLINE	
CHECKED Yasuo Yamaguchi	1:1 mm	DWG NO.(CODE) T-51750AQ base	
DRAWN Satoshi Sano	DSCN S. Sano	DWG SIZE A2	DWG REV