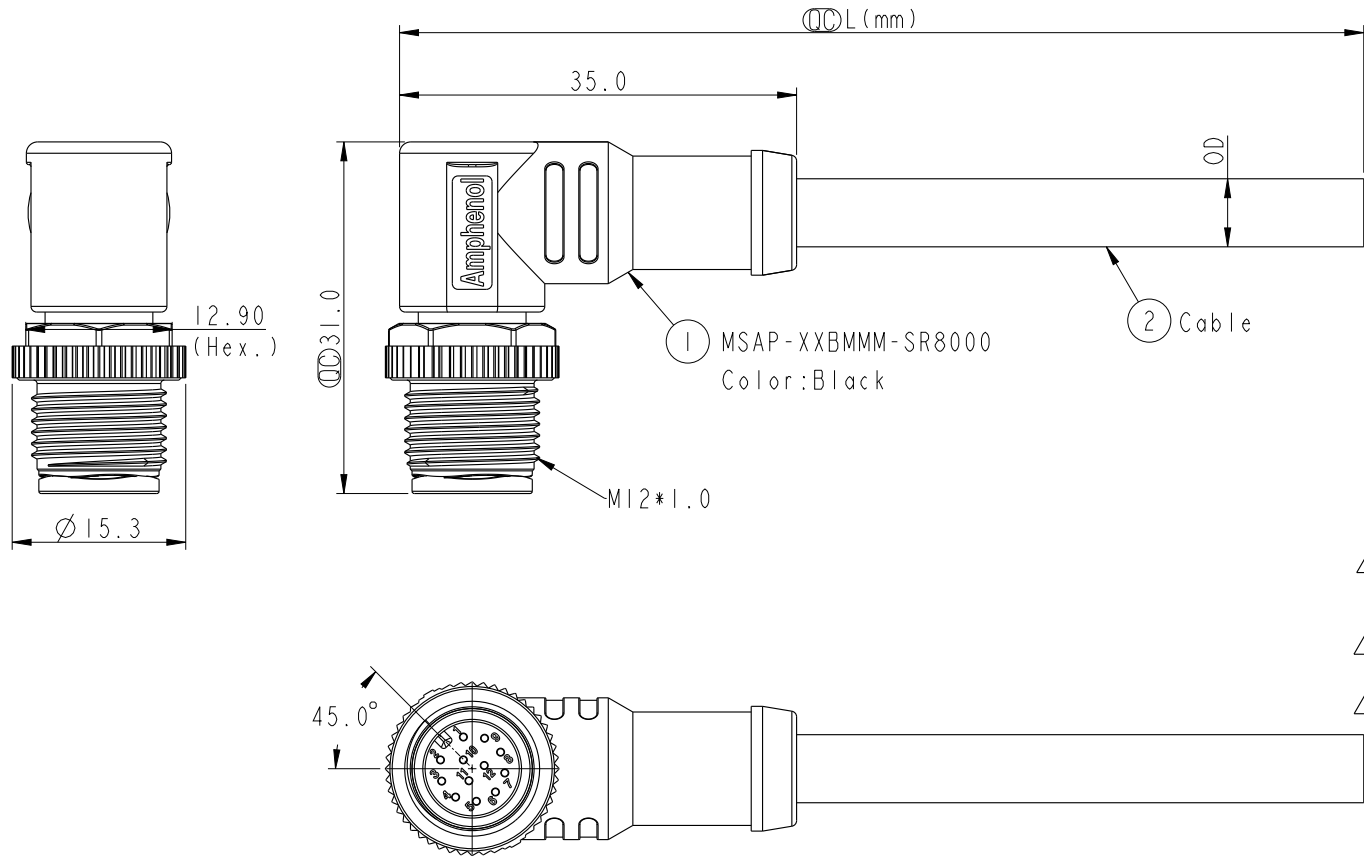


REV.	ECN NO.	DATE	SIGN	DESCRIPTION
B	LEN1580235~246	2015/08/10	Feng_Li	Add Black PVC Cable
C	LEN1680704~721	2016/08/13	Yulong_wang	Add 6Pin & IP69K.
D	LEN1750136~39	2017/04/06	Lingpeng	Change The Cable OD



- Notes:
- * \varnothing Important Dimension.
 - * $\triangle C$ Waterproof Rate: IP68, IP69K.
 - * Connector: PU+GF,Black.
 - * Male Pin: Copper Alloy, Gold Plated.
 - * $\triangle B$ Screw Nut:Nylon,Black..
 - * Outer Mold: PU,Black.
 - * $\triangle B$ Cable: (A) UL2517,PVC Jacket,Yellow.
(B) UL20549,PUR Jacket,Black.
(D) UL2517,PVC Jacket,Black.
 - * Rated Voltage: 3 & 4Pin 250V dc. or ac.
5Pin 60V dc. or ac.
6~12Pin 30V dc. or ac.
 - * Rated Current: 3~5Pin 4A
6~8Pin 2A
10~12Pin 1.5A
 - * Operating Temperature: -25~85°C
 - * Cable Length Tolerance: 01M:±40mm
02M~05M:±60mm
06M~10M:±100mm
11M~30M:±200mm

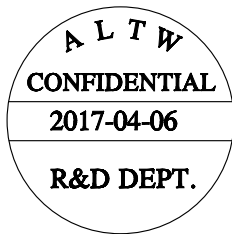
UNIT:mm TOLERANCE ±0.5mm

TITLE M12 A Type 90° Male Conn.			
SCALE 3:2	SIZE A4	SHEET 1 OF 3	
REV. D	WC-REV. A.1	\varnothing : Inspection item	

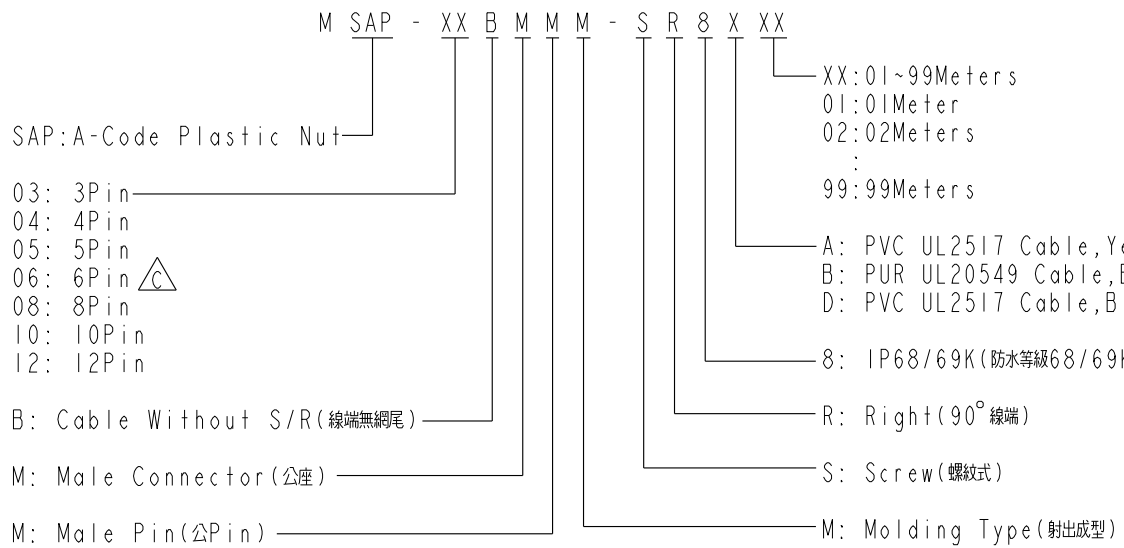
Amphenol LTW
安費諾亮泰企業股份有限公司

ITEM NO	DRAWN BY Lingpeng	DATE 2017-04-06
DWG NO MSAP-XXBMMM-SR8XXX	CHECKED BY Ma Fei	DATE 2017-04-06
CUSTOMER ALTW	APPROVED BY Jerry	DATE 2017-04-06

THIS DOCUMENT IS SUBJECT TO CHANGE WITHOUT NOTICE. IT IS CONFIDENTIAL AND A PROPERTY OF Amphenol LTW. DISCLOSURE TO THIRD PARTY HAS TO BE AUTHORIZED BY Amphenol LTW.



△B	12P	PVC	6.0	26	MSAP-12BMMM-SR8DXX	
	10P				MSAP-10BMMM-SR8DXX	
△C	8P		5.5	24	MSAP-08BMMM-SR8DXX	
	6P				MSAP-06BMMM-SR8DXX	
△D	5P		5.1	22	MSAP-05BMMM-SR8DXX	
	4P				MSAP-04BMMM-SR8DXX	
	3P				MSAP-03BMMM-SR8DXX	
△D	12P		PUR	6.0	26	MSAP-12BMMM-SR8BXX
	10P					MSAP-10BMMM-SR8BXX
△C	8P			4.8	24	MSAP-08BMMM-SR8BXX
	6P	MSAP-06BMMM-SR8BXX				
△D	5P	4.4		22	MSAP-05BMMM-SR8BXX	
	4P				MSAP-04BMMM-SR8BXX	
	3P				MSAP-03BMMM-SR8BXX	
△C	12P	PVC		6.0	26	MSAP-12BMMM-SR8AXX
	10P					MSAP-10BMMM-SR8AXX
△C	8P			5.5	24	MSAP-08BMMM-SR8AXX
	6P		MSAP-06BMMM-SR8AXX			
△C	5P		5.1	22	MSAP-05BMMM-SR8AXX	
	4P				MSAP-04BMMM-SR8AXX	
	3P				MSAP-03BMMM-SR8AXX	
Contacts	Cable Jacket		Cable OD	AWG	Item No.	



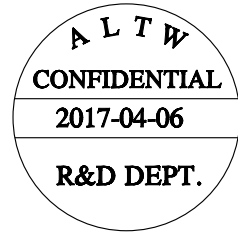
UNIT: mm		
TOLERANCE ±0.5mm		

TITLE M12 A Type 90° Male Conn.			
SCALE 3:2	SIZE A4	SHEET 2 OF 3	
REV. D	WC-REV. A.1	QC: Inspection item	

Amphenol LTW
安費諾亮泰企業股份有限公司

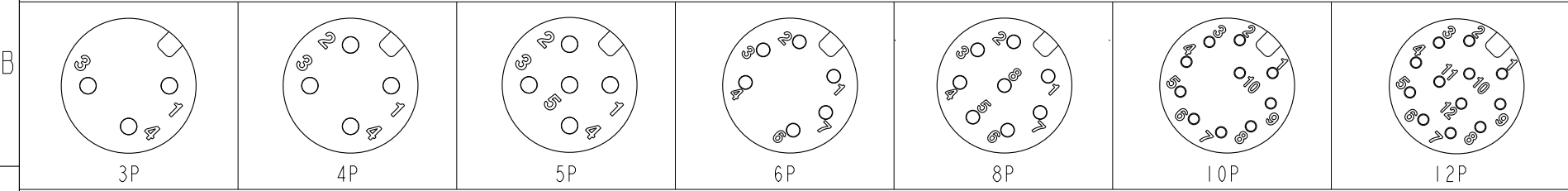
ITEM NO	DRAWN BY Lingpeng	DATE 2017-04-06
DWG NO MSAP-XXBMMM-SR8XXX	CHECKED BY Ma Fei	DATE 2017-04-06
CUSTOMER ALTW	APPROVED BY Jerry	DATE 2017-04-06

THIS DOCUMENT IS SUBJECT TO CHANGE WITHOUT NOTICE. IT IS CONFIDENTIAL AND A PROPERTY OF Amphenol LTW. DISCLOSURE TO THIRD PARTY HAS TO BE AUTHORIZED BY Amphenol LTW.



5	--		5	--		5	Gray	灰	5	--		12	--		12	Red/Blue	紅/藍
4	Black	黑	4	Black	黑	4	Black	黑	4	Black	黑	11	--		11	Gray/Pink	灰/粉
3	Blue	藍	3	Blue	藍	3	Blue	藍	3	Blue	藍	10	Violet	紫	10	Violet	紫
2	--		2	White	白	2	White	白	2	White	白	9	Black	黑	9	Black	黑
1	Brown	棕	1	Brown	棕	1	Brown	棕	1	White	白	8	Red	紅	8	Red	紅
												7	Blue	藍	7	Blue	藍
												6	Pink	粉	6	Pink	粉
												5	Gray	灰	5	Gray	灰
												4	Yellow	黃	4	Yellow	黃
												3	Green	綠	3	Green	綠
												2	Brown	棕	2	Brown	棕
												1	White	白	1	White	白
Pin #	Wire		Pin #	Wire		Pin #	Wire		Pin #	Wire		Pin #	Wire		Pin #	Wire	

Pin Out



Pin Assignments Front View

UNIT:mm TOLERANCE ±0.5mm		TITLE M12 A Type 90° Male Conn.			Amphenol LTW 安費諾亮泰企業股份有限公司		ITEM NO MSAP-XXBMMM-SR8XXX	DRAWN BY Lingpeng	DATE 2017-04-06
		SCALE 3:2	SIZE A4	SHEET 3 OF 3			CHECKED BY Ma Fei	DATE 2017-04-06	
		REV. D	WC-REV. A.1	(CC): Inspection item		CUSTOMER ALTW	APPROVED BY Jerry	DATE 2017-04-06	